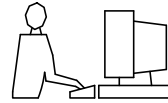


THIS IS A C.A.D. GENERATED DRAWING
DO NOT MAKE MANUAL REVISIONS TO MASTER.



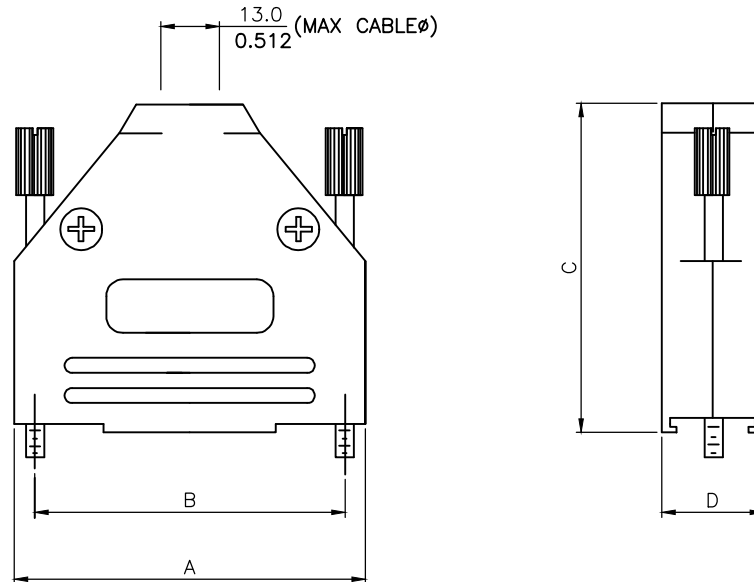
* UNLESS OTHERWISE SPECIFIED TOLERANCES
ON DECIMAL IS:

DRAWING UPDATED ③
Johnny DEC.04-2020
DRAWING UPDATED ④
Johnny March.15-2022

BACKSHELL KIT INCLUDES:

- (2)BACKSHELL HALVES
- (2)4-40 THUMBSCREWS
- (2)HOUSING SCREWS & (2)NUTS
- (1)SET OF COMPRESSION INSERTS-VARIOUS SIZES
DIAMETERS:4mm(.157"),5mm(.197"),7mm(.276"),9mm(.351")

NOTE: 37 POSITION HAS (4) HOUSING
SCREWS & (4)NUTS



DIMENSIONS(mm/in)								
SIZE	A		B		C		D	
	MM	(±0.50)	MM	(±0.50)	MM	(±0.50)	MM	(±0.50)
9	INCH	(±0.02)	INCH	(±0.02)	INCH	(±0.02)	INCH	(±0.02)
	MM	31.50	MM	24.99	MM	40.50	MM	15.00
15	INCH	1.240	INCH	0.984	INCH	1.594	INCH	0.591
	MM	40.00	MM	33.32	MM	40.50	MM	15.00
25	INCH	1.575	INCH	1.312	INCH	1.594	INCH	0.591
	MM	54.00	MM	47.04	MM	49.50	MM	15.00
37	INCH	2.126	INCH	1.852	INCH	1.949	INCH	0.591
	MM	70.50	MM	63.50	MM	54.50	MM	16.00
	INCH	2.776	INCH	2.500	INCH	2.146	INCH	0.630

ORDERING INFORMATON:

SIZE	P/N - KITTED	PRODUCT CODE
9-WAY	6560-0145-01	MHDTPK9-K
15-WAY	6560-0145-02	MHDTPK15-K
25-WAY	6560-0145-03	MHDTPK25-K
37-WAY	6560-0145-04	MHDTPK37-K

MHDTPK9-DB9P-K=MHDTPK9-K + MHDB9SP
 MHDTPK15-DB15P-K=MHDTPK15-K + MHDB15SP
 MHDTPK25-DB25P-K=MHDTPK25-K + MHDB25SP
 MHDTPK37-DB37P-K=MHDTPK37-K + MHDB37SP

PLASTIC: ABS UL 94-HB RATED
 PLATING: NICKEL PLATED
 JACKSCREWS: STEEL-ZINC PLATED
 M3 HOODSCREWS: STEEL-ZINC PLATED
 COMPRESSION INSERTS: ABS UL 94-HB RATED
 M3 NUTS: STEEL-ZINC PLATED
 OPERATING TEMP: -55°C TO+110°C

THESE DRAWINGS AND SPECIFICATIONS ARE THE
PROPERTY OF MH CONNECTORS AND SHALL NOT BE
REPRODUCED, COPIED OR USED AS THE BASIS FOR
THE MANUFACTURE OR SALE OF APPARATUS WITHOUT
WRITTEN PERMISSION.

DRAWN Johnny	DATE 03-15-22
APPROVED Victor Lin	DATE 03-15-22

SCALE	SHEET OF 1 OF 2	REV: 4.0
-------	--------------------	-------------

DRAWING No
MHDTPK SERIES

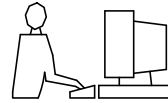


THIS SERIES FULLY CONFORMS TO THE
EUROPEAN UNION DIRECTIVES 2002/95/EC
AND 2002/96/EC FOR RoHS COMPLIANCY.



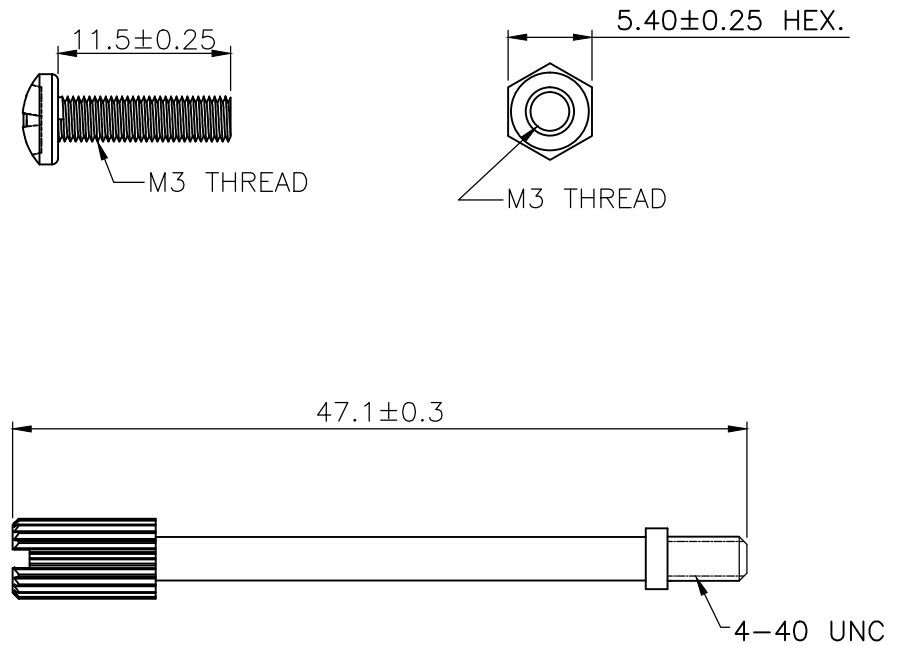
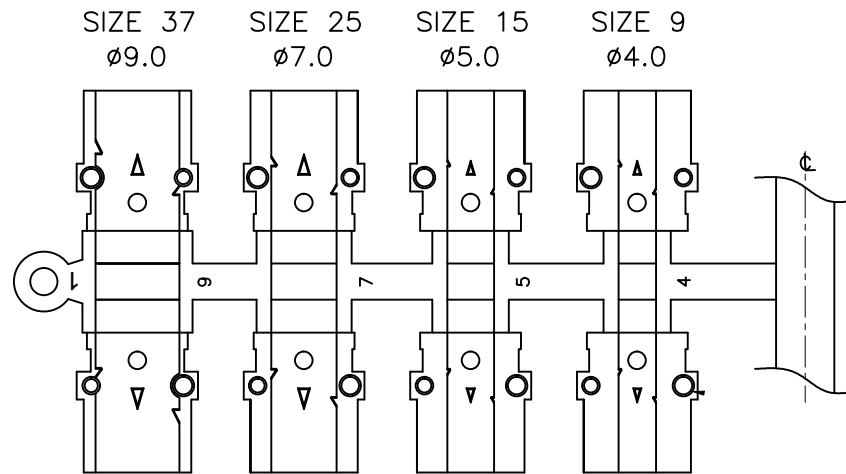
**MH CONNECTORS ,
DIVISION OF EDAC**

THIS IS A C.A.D. GENERATED DRAWING
DO NOT MAKE MANUAL REVISIONS TO MASTER.



* UNLESS OTHERWISE SPECIFIED TOLERANCES
ON DECIMAL IS:

DRAWING UPDATED	③
Johnny	DEC.04-2020
DRAWING UPDATED	④
Johnny	March.15-2022



THESE DRAWINGS AND SPECIFICATIONS ARE THE
PROPERTY OF MH CONNECTORS AND SHALL NOT BE
REPRODUCED, COPIED OR USED AS THE BASIS FOR
THE MANUFACTURE OR SALE OF APPARATUS WITHOUT
WRITTEN PERMISSION.

DRAWN	DATE
Johnny	03-15-22

APPROVED	DATE
Victor Lin	03-15-22

SCALE	SHEET OF	REV:
	2 OF 2	4.0

DRAWING No
MHDPK SERIES

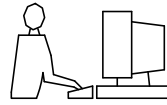


THIS SERIES FULLY CONFORMS TO THE
EUROPEAN UNION DIRECTIVES 2002/95/EC
AND 2002/96/EC FOR RoHS COMPLIANCY.



**MH CONNECTORS ,
DIVISION OF EDAC**

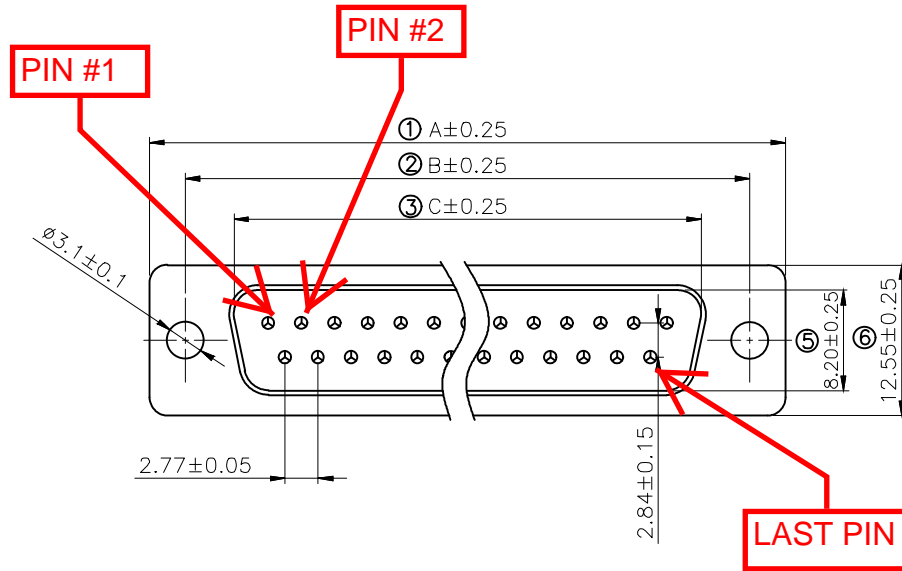
THIS IS A C.A.D. GENERATED DRAWING
DO NOT MAKE MANUAL REVISIONS TO MASTER.



* UNLESS OTHERWISE SPECIFIED TOLERANCES
ON DECIMAL IS: X.X ±0.15
 X.XX ±0.05
UNIT: MM ANGLE ±1°

ISSUE NUMBER

Original	①
Update drawing Johnny 2014/01/15	②
The tin plating on the back shell was updated to nickel plating Iven Ou 2022/08/31	③
Update the dimension line Position for dimension marking Iven Ou 2023/05/02	④
Current is updated from 5 AMP to 3 AMP. Iven Ou 2024/01/16	⑤



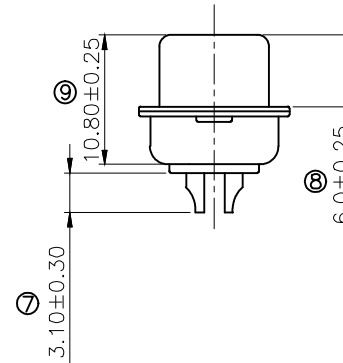
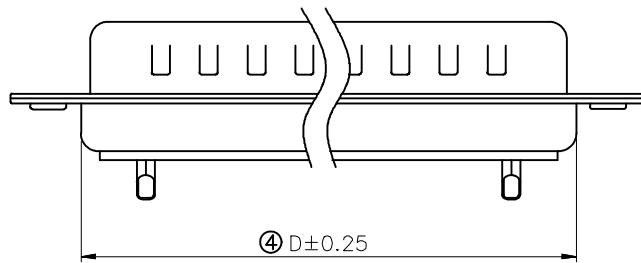
Remark:

1.SPECIFICATION:

Rated voltage:250V
Rates current:3AMP
Contact resistance:20MΩ MAX
Insulation resistance:1000MΩ MIN.at 500V DC
Withstand voltage:500V Per mintute
Temperature range:-55 -105°C

2.MATERIAL:

Plastic:PBT+30% G.F (UL94V-0) BLACK
Terminal:Brass ,Tin-gold plated
Spcc shell:Spcc front shell is nickel plated back shell is nickel plated



PN	PIN	A	B	C	D
MHDB9SP	09	30.81	24.99	16.92	19.28
MHDB15SP	15	39.25	33.32	25.25	27.75
MHDB25SP	25	53.03	47.04	38.96	41.30
MHDB37SP	37	69.50	63.50	55.42	57.40

THESE DRAWINGS AND SPECIFICATIONS ARE THE
PROPERTY OF MH CONNECTORS AND SHALL NOT BE
REPRODUCED, COPIED OR USED AS THE BASIS FOR
THE MANUFACTURE OR SALE OF APPARATUS WITHOUT
WRITTEN PERMISSION.

DRAWN Johnny	DATE 2012/07/16
APPROVED	DATE

SCALE 1 : 1	SHEET OF 1 OF 1	REV: 5.0
----------------	--------------------	-------------

DRAWING No
MHDB SP



THIS SERIES FULLY CONFORMS TO THE
EUROPEAN UNION DIRECTIVES 2015/863/EU
AND 2011/65/EU FOR RoHS COMPLIANCY.



MH CONNECTORS ,
DIVISION OF EDAC