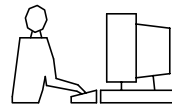


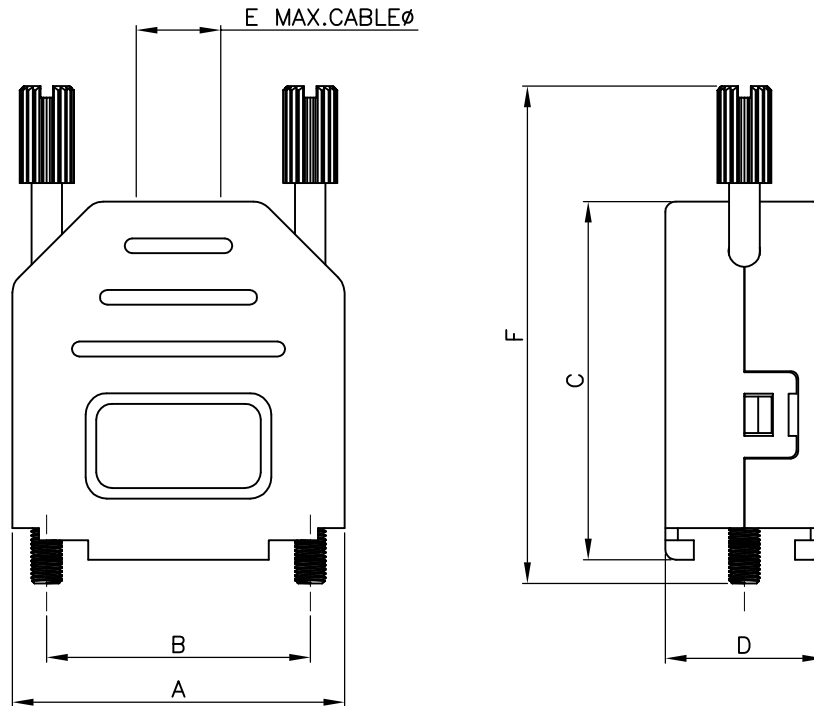
THIS IS A C.A.D. GENERATED DRAWING  
DO NOT MAKE MANUAL REVISIONS TO MASTER.



\* UNLESS OTHERWISE SPECIFIED TOLERANCES  
ON DECIMAL IS:

**BACKSHELL KIT INCLUDES:**

- (1)BACKSHELL
  - (2)4-40 THUMBSCREWS
  - (1)PLASTIC STRAIN RELIEF
  - (1)METAL STRAIN RELIEF CLAMP
  - (2)STRAIN RELIEF SCREWS
- TORQUE VALUE ON PLASTIC FOR STRAIN RELIEF SCREWS=4 INCH POUNDS MAX



DIMENSIONS(mm/in)						
SIZE	A $\pm 0.032$	B $\pm 0.012$	C $\pm 0.02$	D $\pm 0.02$	E	F $\pm 0.02$
9	31.50	24.99	34.00	15.00	8.00	47.20
	1.240	0.984	1.339	0.591	0.315	1.858

ORDERING INFORMATION: (YY=COLOR)

SIZE	P/N-KITTED:	P/N-BULK:
9-WAY	MHDPPK9-YY-K	MHDPPK9-YY

**MHDPPK9-DB9S-K=MHDPPK9-K + MHDB9SS**

**COLOR CODE CHART:**

- BLACK = BK (USUALLY OMMITED) 黑色是标准色, 通常-BK省略了
- LIGHT GREY = LG
- DEC GREY = DE
- RED = R
- BLUE = B
- YELLOW = Y
- GREEN = G
- WHITE = W

MATERIAL: POLYAMIDE PA66-UL RECOGNIZED MATERIAL  
SEE COLOR CODE CHART.

THUMBSCREWS: STEEL,BLACK OXIDE(FOR BLACK HOODS)  
STEEL,Zn PLATED(FOR COLORED HOODS)

OPERATING TEMP: -55°C TO+110°C .



THIS SERIES FULLY CONFORMS TO THE  
EUROPEAN UNION DIRECTIVES 2002/95/EC  
AND 2002/96/EC FOR RoHS COMPLIANCY.

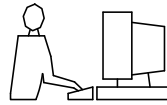


**MH CONNECTORS ,  
DIVISION OF EDAC**

THESE DRAWINGS AND SPECIFICATIONS ARE THE  
PROPERTY OF MH CONNECTORS AND SHALL NOT BE  
REPRODUCED, COPIED OR USED AS THE BASIS FOR  
THE MANUFACTURE OR SALE OF APPARATUS WITHOUT  
WRITTEN PERMISSION.

DRAWN HALEY		DATE 06-24-15	
APPROVED DAMIEN		DATE 06-30-15	
SCALE NTS	SHEET OF 1 OF 1	REV: 2.0	
DRAWING No MHDPPK9-SLIM SERIES			

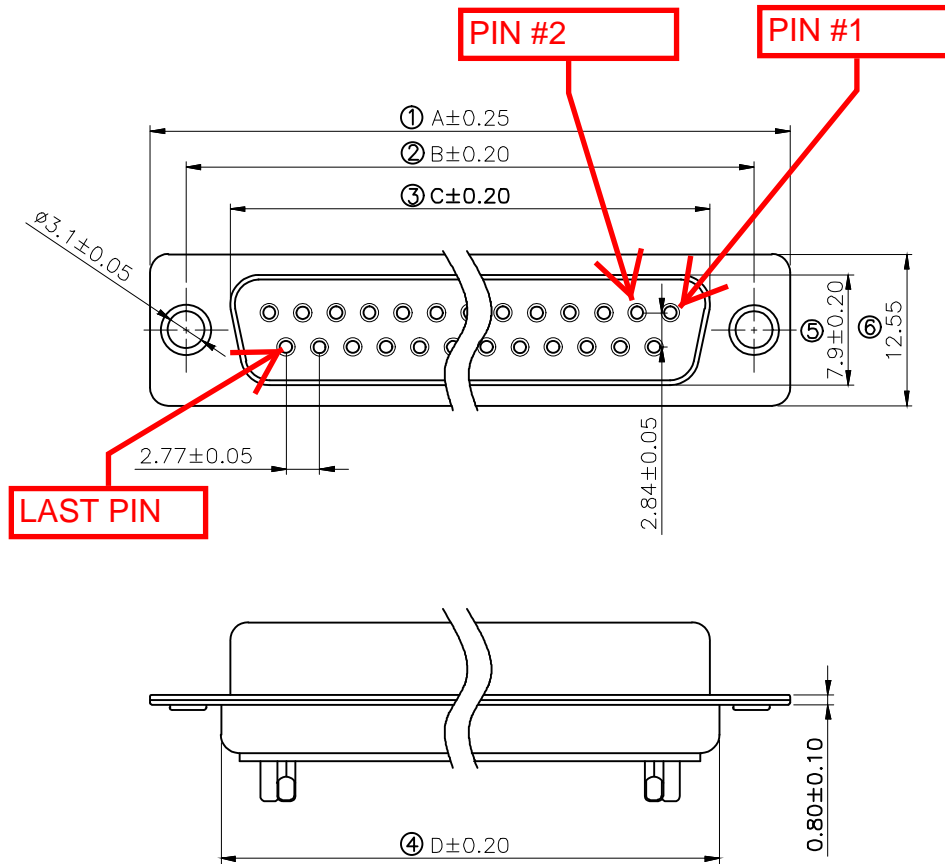
THIS IS A C.A.D. GENERATED DRAWING  
DO NOT MAKE MANUAL REVISIONS TO MASTER.



\* UNLESS OTHERWISE SPECIFIED TOLERANCES  
ON DECIMAL IS: X.X ±0.15  
                  X.XX ±0.05  
UNIT: MM           ANGLE ±1°

ISSUE NUMBER

Original	①
Update the drawing frame;Current is updated from 5 AMP to 3 AMP. Iven Ou 2024/01/16	④



Remark:

1. SPECIFICATION:

- Rated voltage: 250V
- Rated current: 3AMP
- Contact resistance: 20MΩ MAX
- Insulation resistance: 1000MΩ MIN. at 500V DC
- Withstand voltage: 500V Per minute
- Temperature range: -55 - 105 °C

2. MATERIAL:

- Plastic: PBT+30% G.F (UL94V-0) BLACK
- Terminal: brass, tin-gold plated
- Spcc shell: Spcc front shell is nickel plated back shell is nickel plated

PN	PIN	A	B	C	D
MHDB9SS	09	30.88	24.88	16.17	18.94
MHDB15SS	15	39.20	33.30	24.66	27.50
MHDB25SS	25	53.02	47.04	38.38	41.20
MHDB37SS	37	69.40	63.50	55.20	57.40

THESE DRAWINGS AND SPECIFICATIONS ARE THE PROPERTY OF MH CONNECTORS AND SHALL NOT BE REPRODUCED, COPIED OR USED AS THE BASIS FOR THE MANUFACTURE OR SALE OF APPARATUS WITHOUT WRITTEN PERMISSION.

DRAWN Johnny DATE 2012/07/16

APPROVED DATE

SCALE 1 : 1 SHEET OF 1 OF 1 REV: 4.0

DRAWING No MHDB SS



THIS SERIES FULLY CONFORMS TO THE EUROPEAN UNION DIRECTIVES 2015/863/EU AND 2011/65/EU FOR RoHS COMPLIANCY.



MH CONNECTORS,  
DIVISION OF EDAC