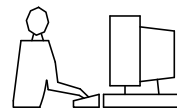


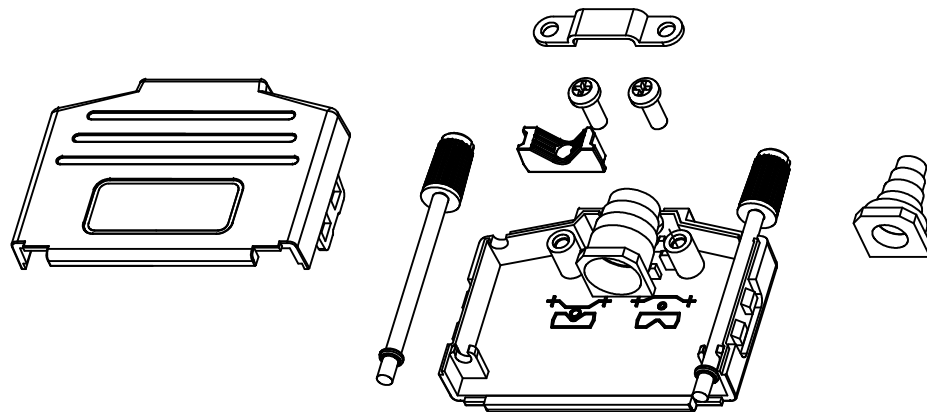
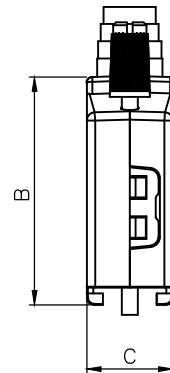
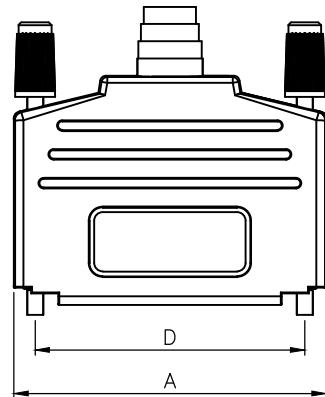
THIS IS A C.A.D. GENERATED DRAWING
DO NOT MAKE MANUAL REVISIONS TO MASTER.



* UNLESS OTHERWISE SPECIFIED TOLERANCES
ON DECIMAL IS: ANGLE $\pm 1^\circ$
UNIT: MM .XX ± 0.35

BACKSHELL KIT INCLUDES:

- (2)BACKSHELL HALVES
- (2)4-40 THUMBSCREWS
- (2)CLAMP SCREWS
- (2)CLAMP
- (1)SET OF COMPRESSION INSERTS-VARIOUS SIZES FOR 9-37



DIMENSIONS(mm/in)				
SIZE	A $\pm_{.50}^{+.80}(\pm_{-.02}^{+.032})$	B $\pm_{.50}^{+.80}(\pm_{-.02}^{+.032})$	C $\pm_{.50}^{+.80}(\pm_{-.02}^{+.032})$	D $\pm_{.02}$
9	32.5	38.0	15.00	24.99
	1.280	1.496	0.591	0.984
15	41.0	38.0	15.00	33.32
	1.614	1.496	0.591	1.312
25	54.5	40.0	15.00	47.04
	2.146	1.575	0.591	1.852
37	71.0	40.0	15.00	63.50
	2.795	1.575	0.591	2.500

ORDERING INFORMATON:

SIZE	P/N - KITTED	PRODUCT CODE
9-WAY	6260-0105-01	MHDPPK-M-9-K
15-WAY	6260-0105-02	MHDPPK-M-15-K
25-WAY	6260-0105-03	MHDPPK-M-25-K
37-WAY	6260-0105-04	MHDPPK-M-37-K

BACKSHELL MATERIAL: ABS,UL RECOGNIZED
 PLATING: NICKEL
 JACKSCREWS: STEEL:ZIN PLATED WITH PLASTIC KNOB
 COMPRESSION INSERT: ABS,UL RECOGNIZED
 CLAMP: ABS,UL RECOGNIZED
 CLAMP: STEEL:ZIN PLATED
 CLAMP SCREW: STEEL:ZIN PLATED
 OPERATING TEMP: -55°C TO+110°C

THESE DRAWINGS AND SPECIFICATIONS ARE THE PROPERTY OF MH CONNECTORS AND SHALL NOT BE REPRODUCED, COPIED OR USED AS THE BASIS FOR THE MANUFACTURE OR SALE OF APPARATUS WITHOUT WRITTEN PERMISSION.

DRAWN Johnny DATE 11-24-15

APPROVED Victor Lin DATE 11-24-15

SCALE 1 : 1 SHEET OF 1 OF 1 REV: 3.0

DRAWING No MHDPPKXX-M



THIS SERIES FULLY CONFORMS TO THE EUROPEAN UNION DIRECTIVES 2002/95/EC AND 2002/96/EC FOR RoHS COMPLIANCY.



**MH CONNECTORS ,
DIVISION OF EDAC**