

THIS IS A C.A.D. GENERATED DRAWING  
DO NOT MAKE MANUAL REVISIONS TO MASTER.

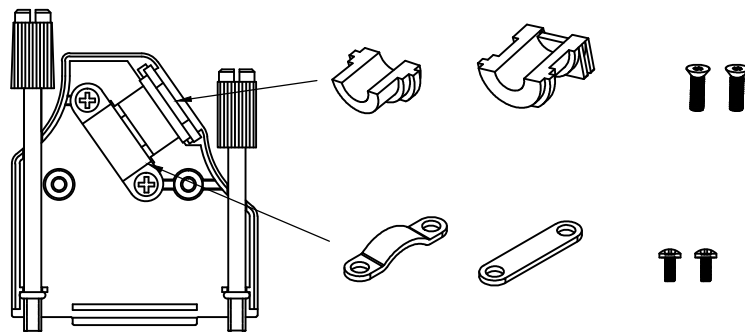
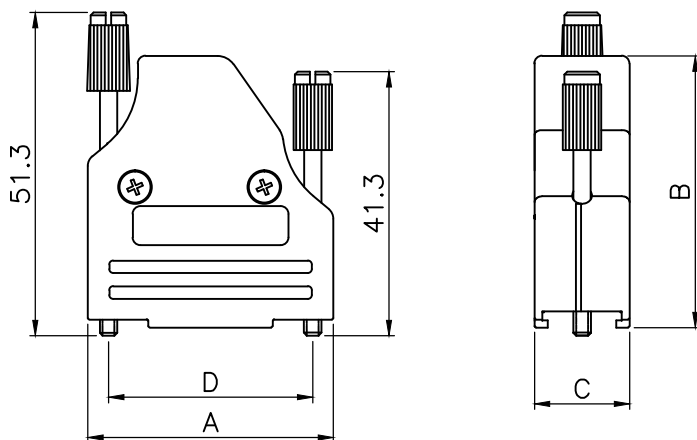


\* UNLESS OTHERWISE SPECIFIED TOLERANCES  
ON DECIMAL IS: ANGLE ± 1°  
UNIT: MM .X ± 0.5

**BACKSHELL KIT INCLUDES:**

- (2)BACKSHELL HALVES
- (1)GROMMET
- (2)JACKSCREWS
- (2)SHELLSCREWS
- (2)CLAMPSCREWS
- (1)METAL CLAMP
- (1)METAL CLAMP FLAT

NOTE: 9 POSITION HAS ONLY 1 JACKSCREW



DIMENSIONS(mm/in)				
SIZE	A $\pm_{\pm 0.20}^{.50}$	B $\pm_{\pm 0.63}^{1.6}$	C $\pm_{\pm 0.63}^{1.6}$	D $\pm_{\pm 0.20}^{.50}$
9	32.0	43.0	15.5	—
	1.260	1.693	0.610	—
15	40.4	43.0	15.5	33.32
	1.591	1.693	0.610	1.312
25	54.0	48.0	15.5	47.04
	2.126	1.890	0.610	1.852
37	70.5	53.0	15.5	63.50
	2.776	2.087	0.610	2.500

**ORDERING INFORMATION:**

SIZE	P/N - KITTED	PRODUCT CODE
9-WAY	6560-0139-11	MHDM35-9-K
15-WAY	6560-0139-12	MHDM35-15-K
25-WAY	6560-0139-13	MHDM35-25-K
37-WAY	6560-0139-14	MHDM35-37-K

**BACKSHELL MATERIAL:**

- PLATING: DIE CAST ZINC ALLOY
  - GROMMET: NICKEL PLATED
  - COLOR: THERMOPLASTIC ABS
  - SHELLSCREWS: NATURAL NICKEL PLATED
  - JACKSCREWS: STEEL, ZINC PLATED
  - CLAMPSCREWS: STEEL, ZINC PLATED WITH PLASTIC KNOB
  - CLAMP: STEEL, ZINC PLATED
  - OPERATING TEMP: STEEL, SHEET, NICKEL PLATED
- 40°C TO +120°C

THESE DRAWINGS AND SPECIFICATIONS ARE THE PROPERTY OF MH CONNECTORS AND SHALL NOT BE REPRODUCED, COPIED OR USED AS THE BASIS FOR THE MANUFACTURE OR SALE OF APPARATUS WITHOUT WRITTEN PERMISSION.

DRAWN JOHNNY	DATE 11-24-15
APPROVED Victor Lin	DATE 11-24-15



THIS SERIES FULLY CONFORMS TO THE EUROPEAN UNION DIRECTIVES 2002/95/EC AND 2002/96/EC FOR RoHS COMPLIANCY.



**MH CONNECTORS ,  
DIVISION OF EDAC**

SCALE 1 : 1	SHEET OF 1 OF 1	REV: 6.0
DRAWING No MHDM35-XX-K		