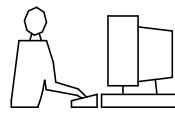


THIS IS A C.A.D. GENERATED DRAWING
DO NOT MAKE MANUAL REVISIONS TO MASTER.

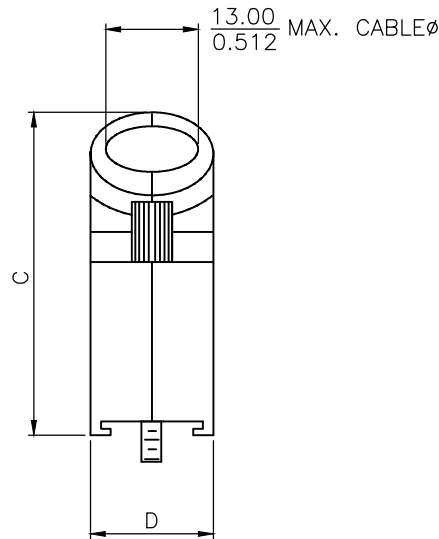
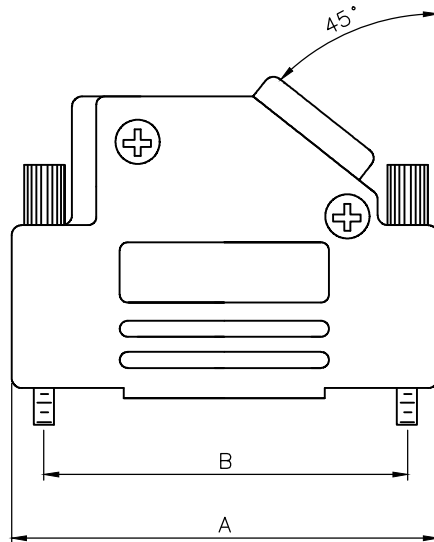


* UNLESS OTHERWISE SPECIFIED TOLERANCES
ON DECIMAL IS:

BACKSHELL KIT INCLUDES:

- (2)BACKSHELL HALVES
- (2)4-40 THUMBSCREWS
- (2)HOUSING SCREWS & (2)NUTS
- (1)SET OF COMPRESSION INSERTS-VARIOUS SIZES
DIAMETERS:4mm(.157"),5mm(.197"),7mm(.276"),9mm(.351")

NOTE: 9 POSITION HAS ONLY 1 THUMBSCREW
(OPPOSITE CABLE ENTRY)



DIMENSIONS(mm/in)				
SIZE	A $+1.70^{(+.067)}$ $-1.50^{(-.02)}$	B $+2.25^{(+.08)}$ -2.010	C $+2.40^{(+.094)}$ $-2.50^{(-.02)}$	D $+1.85^{(+.033)}$ $-1.30^{(-.012)}$
9	31.00	24.99	36.30	15.00
	1.220	0.984	1.429	0.591
15	39.50	33.32	40.30	15.00
	1.555	1.312	1.587	0.591
25	53.20	47.04	40.30	15.00
	2.094	1.852	1.587	0.591
37	69.70	63.50	40.30	15.00
	2.744	2.500	1.587	0.591

ORDERING INFORMATION:

SIZE	P/N - KITTED	PRODUCT CODE
9-WAY	6560-0146-11	MHD45PK9-K
15-WAY	6560-0146-12	MHD45PK15-K
25-WAY	6560-0146-13	MHD45PK25-K
37-WAY	6560-0146-14	MHD45PK37-K

PLASTIC: ABS POLYLAC-UL RECOGNIZED
NICKEL PLATED

4-40 THUMBSCREWS: STEEL-Zn PLATED

HOOD SCREWS: STEEL-Zn PLATED

COMPRESSION INSERTS: ABS UL RECOGNIZED

NUTS: STEEL-Zn PLATED

OPERATING TEMP: -55°C TO+110°C

THESE DRAWINGS AND SPECIFICATIONS ARE THE
PROPERTY OF MH CONNECTORS AND SHALL NOT BE
REPRODUCED, COPIED OR USED AS THE BASIS FOR
THE MANUFACTURE OR SALE OF APPARATUS WITHOUT
WRITTEN PERMISSION.

DRAWN Johnny	DATE 11-24-15
-----------------	------------------

APPROVED Victor Lin	DATE 11-24-15
------------------------	------------------

SCALE 1 : 1	SHEET OF 1 OF 1	REV: 7.0
----------------	--------------------	-------------

DRAWING No MHD45PK	SERIES
-----------------------	--------



THIS SERIES FULLY CONFORMS TO THE
EUROPEAN UNION DIRECTIVES 2002/95/EC
AND 2002/96/EC FOR RoHS COMPLIANCY.



**MH CONNECTORS ,
DIVISION OF EDAC**