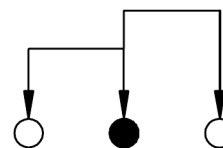
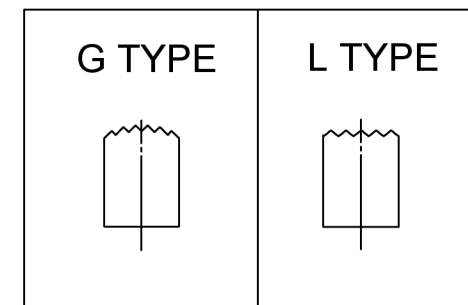
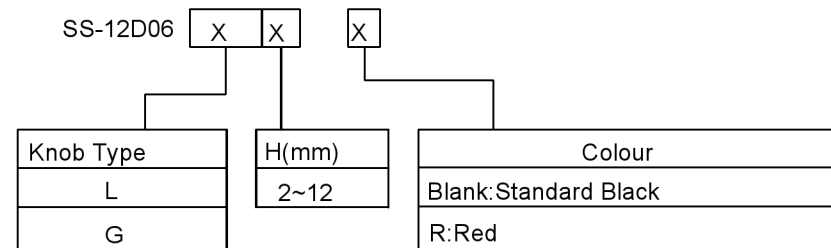


P.C.B LAYOUT

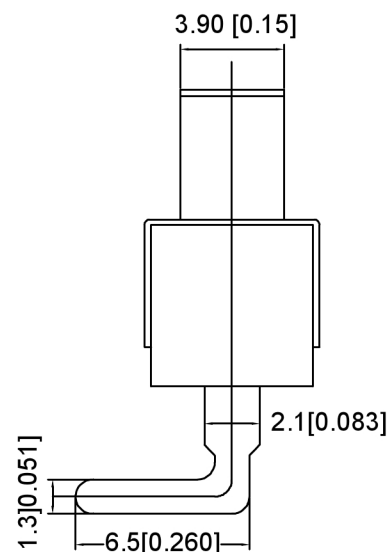
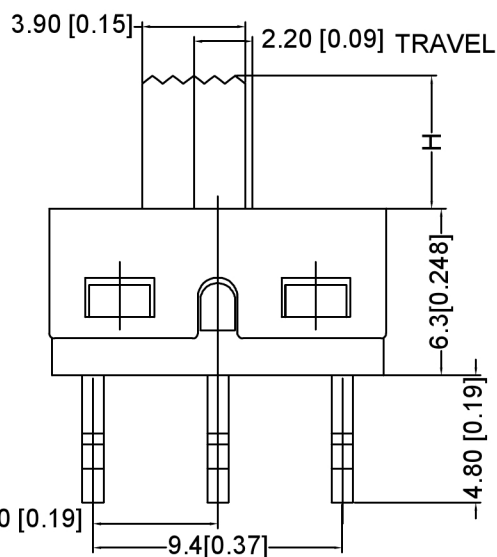
MODEL CODE



SCHEMATIC

Typical Specifications

1. Rating: AC 125V 3A
2. Insulation Resistance: 1,000M min
3. Dielectric strength: 1,500V RMS
4. Operating Life: 10,000 cycles



ITEM	PAPT NAME	TER,NO	QTY	MATERIAL	FINISHING	REMARK
⑤	Terminal	—	3	Copper Alloy	silver plated	—
④	Contact	—	1	Copper Alloy	silver plated	—
③	Housing	—	1	Stainless Steel		—
②	Slide Handle	—	1	Nylon		—
①	Case	—	1	Diallyl Phthalate (DAP)		—

广东星坤科技股份有限公司

Δx		日期
Δx		日期
Δx		日期
MARK	DESCRIPTION	

文件工程章

REVISIONS	DATE	REVISED	APPROVED	UNSPECIFIED TOLERANCES

DSND	SCALE: N/A	MODEL TYPE: SLIDE SWITCH
DWN	VIEW:	PART NO.: SS-12D06XXX
CHKD	UNIT: mm/in	DWG NO.:
APPD	SIZE: A4	
XKB INDUSTRIAL PRECISION CO., LIMITED		WEIGHT
		SHEET
		REVISIC
		1/1
		A0