

SMD Transformers for Flyback Applications

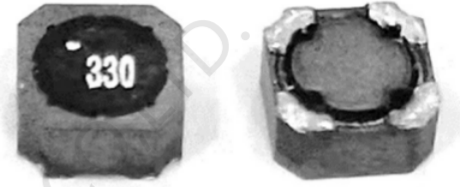
FC-SLF6030 –330

Small size

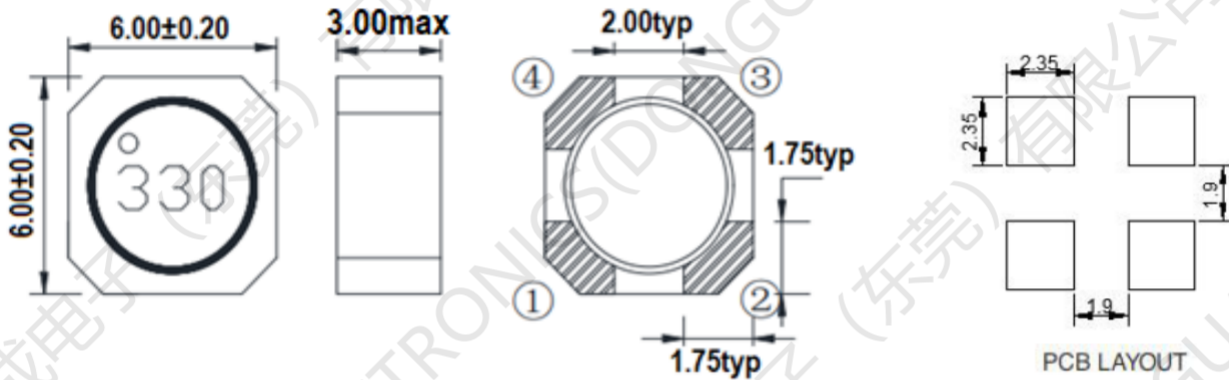
- Flyback transformers
- Coupled inductors in SEPIC applications
- Common mode filter chokes.

Ambient temperature -40°C to $+85^{\circ}\text{C}$

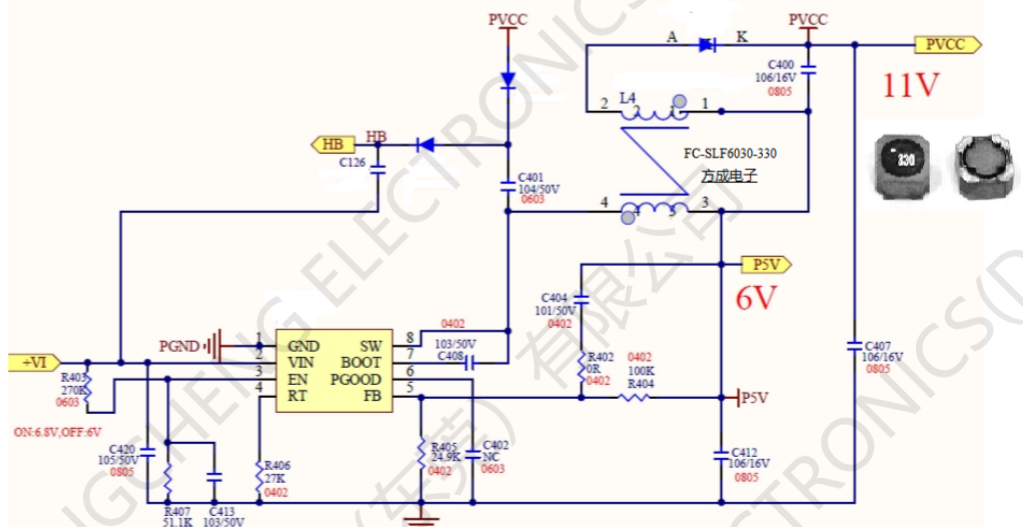
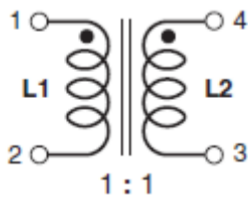
Storage temperature Component: -40°C to $+125^{\circ}\text{C}$



1. Dimensions:mm



2.Schematic:



SMD Transformers for Flyback Applications

FC-SLF6030 –Series

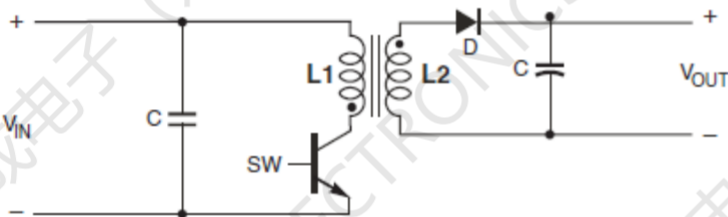
4. ELECTRIC CHARACTERICS

| Part Number | Turns Ration | Current Rating ₂ (mA) | Inductance (uH) | RDC (Ω) | Hi-Pot |
|----------------|--------------|----------------------------------|-----------------|------------|--------------|
| | | | | 1-2 4-3 | (Vdc) 5mA/3S |
| FC-SLF6030-330 | 1:1 | 670 | 33 ±20% | 0.95 | 1000 |

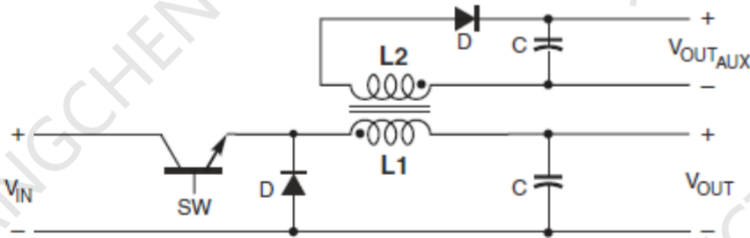
Electrical Specifications @ 25°C — Operating Temperature -40°C to +125°C .

- (1).Rated Current: Base on temp.rise & $\Delta L/L_{OA} \leq 30\%$ Max and $\Delta T = 40^\circ C$ Typ
- (2).Operating Temperature: -40°C up to +125°C
- (3).Storage Temperature: -20°C up to +40°C, 75% RH max.

5. Typical Flyback Converter



6. Typical Buck Converter with auxiliary output



8. Typical SEPIC schematic

