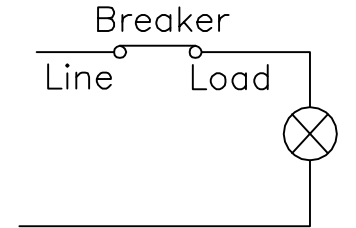
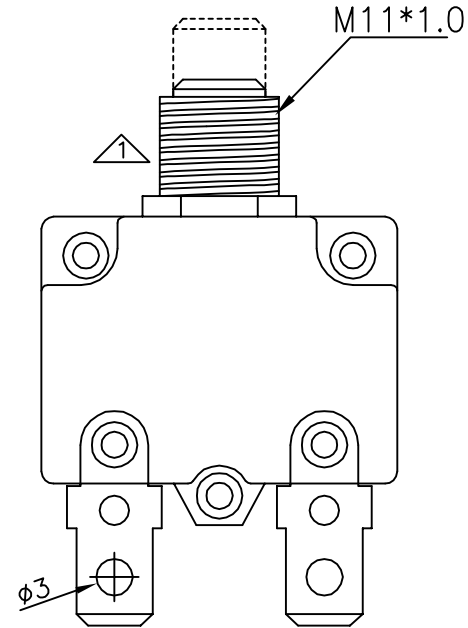
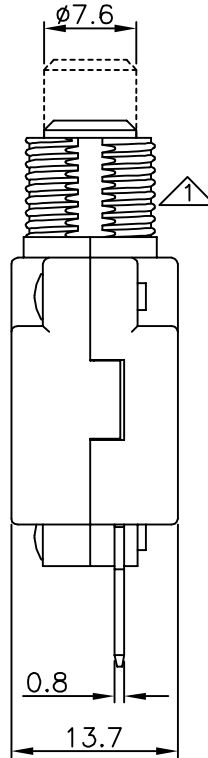
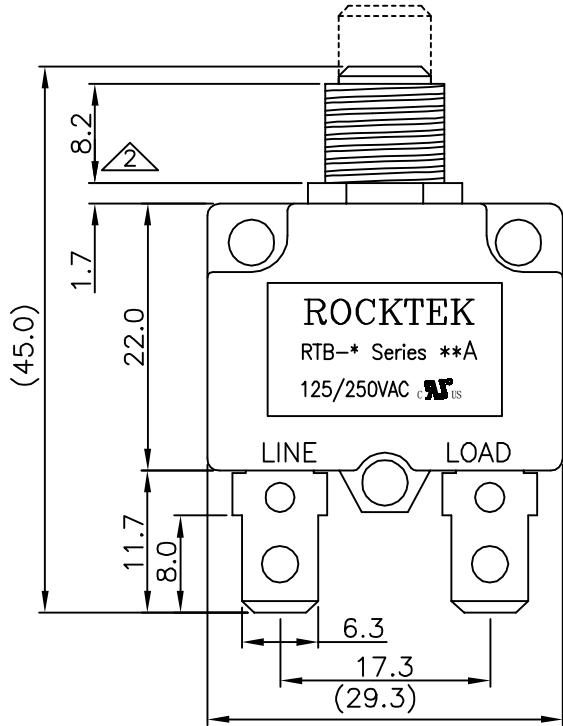
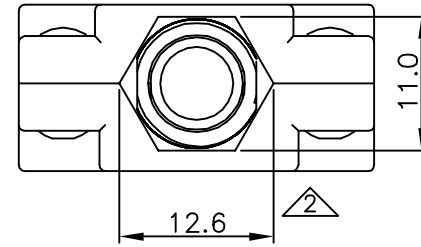
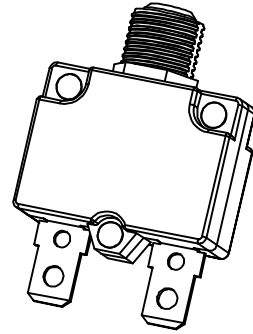


RTB-\*\*

安培數(03~20)



Circuit of Breaker

Rating:3~20A 125/250VAC  
UL CUL: E250539

5	→			GENERAL TOLERANCE	Approved	Checked	Designed	Drawn	ALL SIZE ARE IN	MM		
4	→			GRADATION					SCALE	FIT		
3	→			0-10					MAT'L	**		
2	增加尺寸标注	刘美昌	2016.10.27	10-100			Gavin	Yale	ORDER NO.	DRAWING NO.		REV.
1	更正螺纹方向	刘美昌	2016.10.27	100-150					RTB-10B1BNANFC	WIF105002		C
NO.	DESCRIPTION	APPROVED	DATE	ANGLE	ROCK TEK INDUSTRIAL CO.,LTD.							