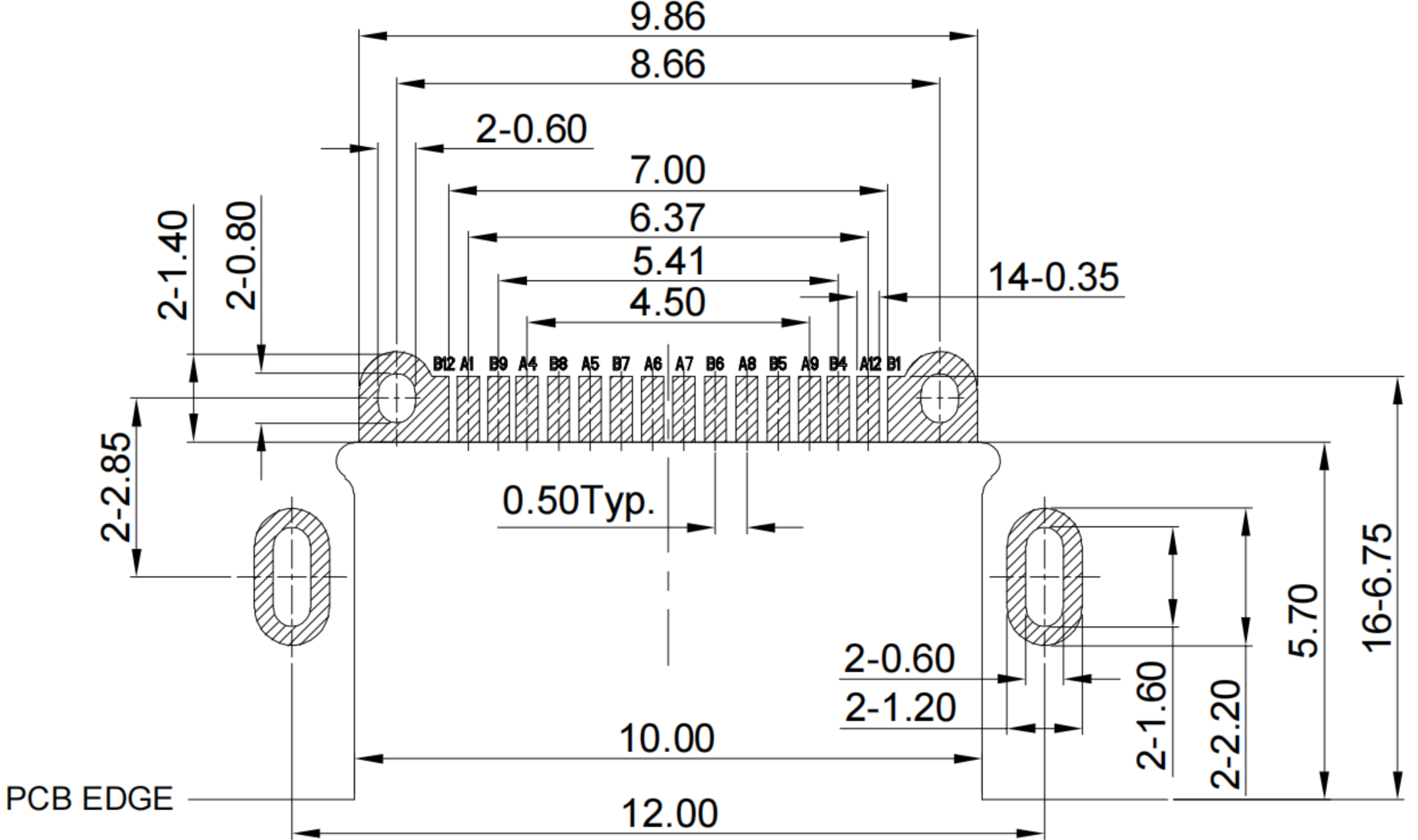
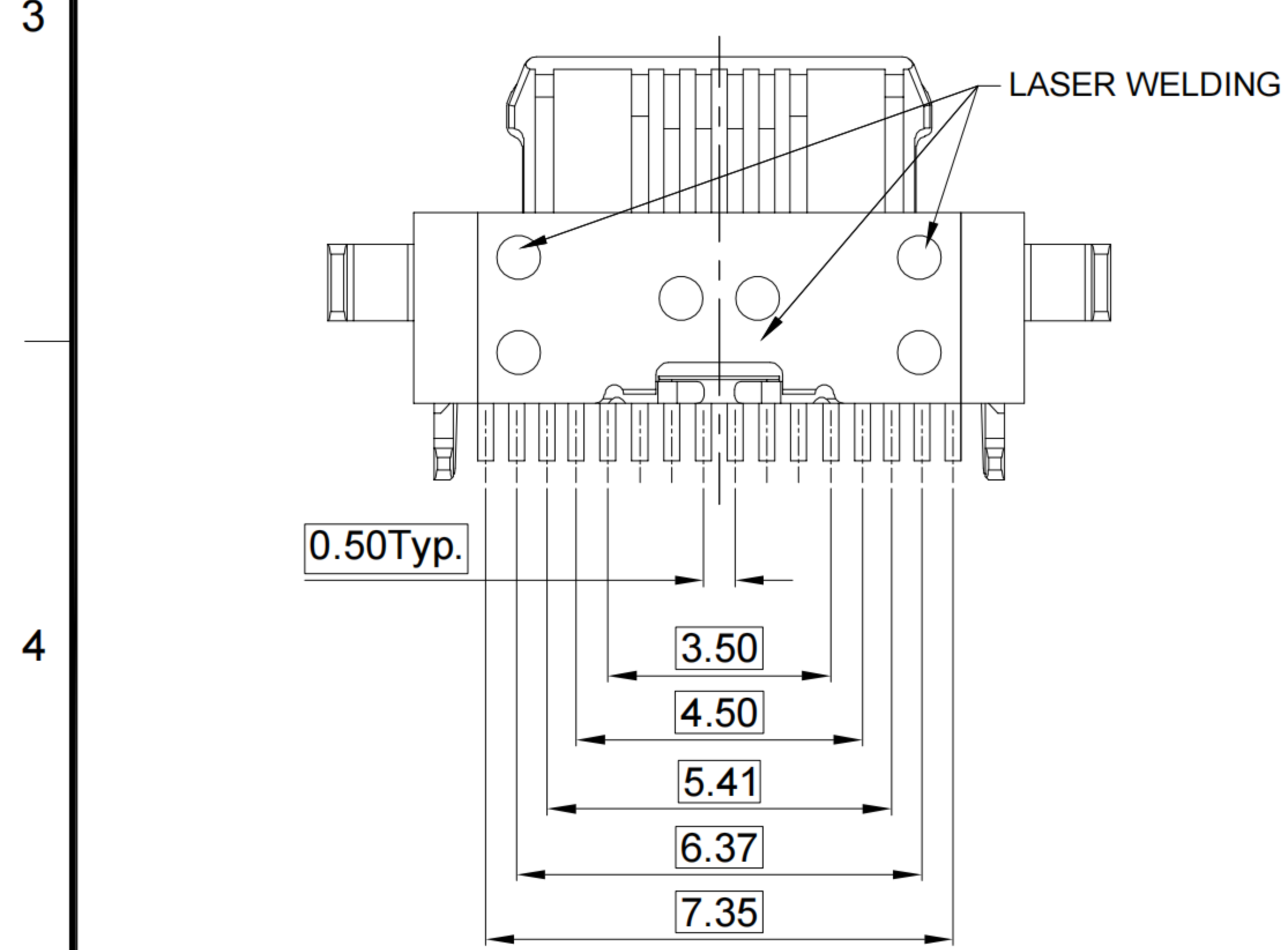


- G-Switch USB-C Specification:**
1. Current rated: 5A on vbus/1.25A on vconn/0.25A on other
  2. Voltage rating: 24V AC
  3. Withstanding voltage: 100V AC/minute
  4. Contact resistance: 40mΩ Max
  5. Insulation resistance: 100MΩ Min
  6. Operating temperature: -40°C ~ +85°C
  7. Mating force: 5N~20N
  8. Unmating force: 8N~20N
  9. Durability cycle: 10,000 cycles



A1	A2	A3	A4	A5	A6	A7	A8	A9	A10	A11	A12
GND			VBUS	CC1	D+	D-	SBU1	VBUS			GND
First			First	Second	Second	Second	Second	First			First

B12	B11	B10	B9	B8	B7	B6	B5	B4	B3	B2	B1
GND			VBUS	SBU2	D-	D+	CC2	VBUS			GND
First			First	Second	Second	Second	Second	First			First

RECOMMENDED PCB LAYOUT TOLERANCE: ±0.05

1	OUTER SHELL	STAINLESS STEEL	Ni PLATED
2	SHELL	STAINLESS STEEL	Ni PLATED
3	MID PLATE	STAINLESS STEEL	Ni PLATED
4	HOUSING	HIGH TEMPERATURE PLASTIC	BLACK UL 94 V-0
5	TERMINALS	COPPER ALLOY	Au PLATING ON CONTACT AREA
NO.	PARTS	MATERIAL	REMARKS



SCALE: 1:1 UNIT: mm  
 SIZE: A4

Unless otherwise General Tolerance:  
 X. ±0.25  
 X.x ±0.20  
 X.xx ±0.15  
 X.xxx ±0.10  
 X° ±5°

Title: Horizontal Type-c 16P Female SMT Sink 1.98 CH=0.1 L=3.0mm

Molde Code: GT-USB-7095A

DRAWN	CHECKED	APPROVED	DATE
Xia	Chen	Chen	2023.02.01



REV: A0 SHEET: 1/1