

## 1. DESCRIPTION

These hex buffers and drivers feature high-voltage open-collector outputs to interface with high-level circuits or for driving high-current loads. They are also characterized for use as buffers for driving TTL inputs. The XL/XD74LS07 devices have a rated output voltage of 30 V. The maximum sink current is 40 mA.

These circuits are compatible with most TTL families. Inputs are diode-clamped to minimize transmission-line effects, which simplifies design. Typical power dissipation is 140 mW, and average propagation delay time is 12 ns.

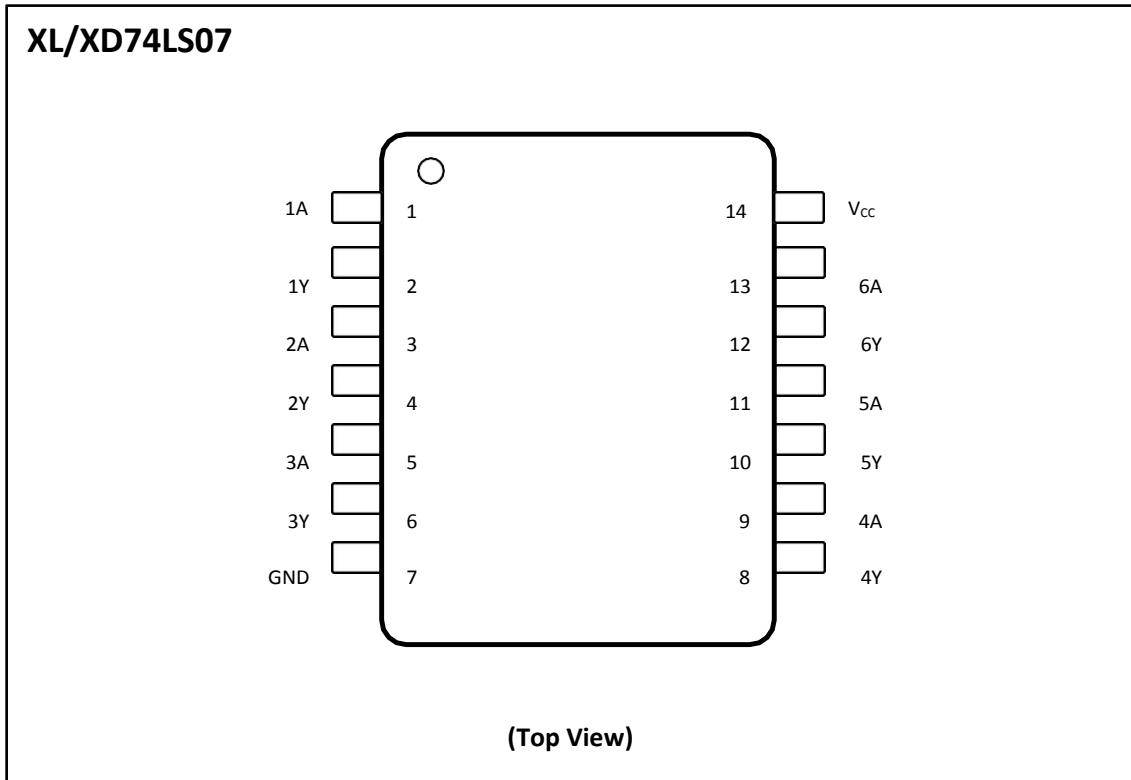
## 2. FEATURES

- Convert TTL Voltage Levels to MOS Levels
- High Sink-Current Capability
- Input Clamping Diodes Simplify System Design
- Open-Collector Driver for Indicator Lamps and Relays

## 3. APPLICATIONS

- AV Receivers
- Audio Docks: Portable
- Blu-ray Players and Home Theaters
- MP3 Players or Recorders
- Personal Digital Assistants (PDA)
- Power: Telecom/Server AC/DC Supply: Single Controller: Analog and Digital
- Solid-State Drives (SSD): Client and Enterprise
- TVs: LCD, Digital, and High-Definition (HDTV)
- Tablets: Enterprise
- Video Analytics: Server
- Wireless Headsets, Keyboards, and Mice

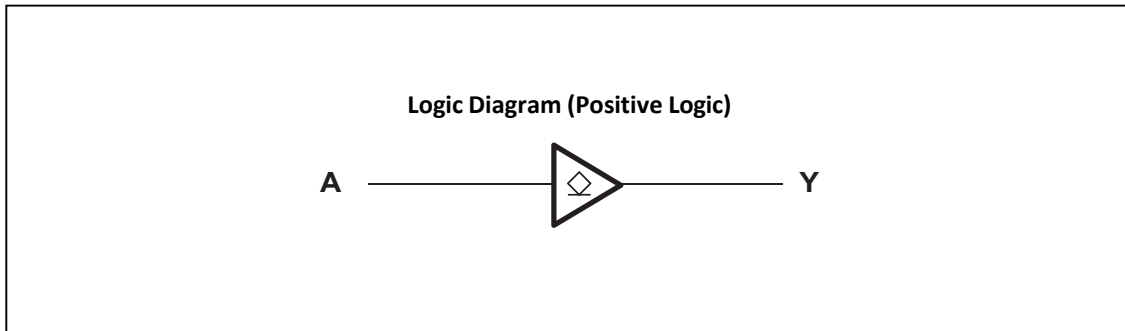
#### 4. PIN CONFIGURATIONS AND FUNCTIONS



**Pin Functions**

PIN		I/O	DESCRIPTION
NO.	NAME		
1	1A	I	Input 1
2	1Y	O	Output 1
3	2A	I	Input 2
4	2Y	O	Output 2
5	3A	I	Input 3
6	3Y	O	Output 3
7	GND	—	Ground pin
8	4Y	O	Output 4
9	4A	I	Input 4
10	5Y	O	Output 5
11	5A	I	Input 5
12	6Y	O	Output 6
13	6A	I	Input 6
14	VCC	—	Power pin

## 5. FUNCTIONAL BLOCK DIAGRAM



## 6. SPECIFICATIONS

### 6.1. Absolute Maximum Ratings

over operating free-air temperature range (unless otherwise noted)<sup>(1)</sup>

		MIN	MAX	UNIT
V <sub>CC</sub>	Supply voltage		7	V
V <sub>I</sub>	Input voltage <sup>(2)</sup>		7	V
V <sub>O</sub>	Output voltage <sup>(2)(3)</sup>		30	V
T <sub>J</sub>	Operating virtual junction temperature		150	°C
T <sub>stg</sub>	Storage temperature	-65	150	°C

[1] Stresses beyond those listed under Absolute Maximum Ratings may cause permanent damage to the device. These are stress ratings only, which do not imply functional operation of the device at these or any other conditions beyond those indicated under Recommended Operating Conditions. Exposure to absolute-maximum-rated conditions for extended periods may affect device reliability.

[2] All voltage values are with respect to GND.

[3] This is the maximum voltage that should be applied to any output when it is in the off state.

### 6.2. Thermal Resistance Characteristics

THERMAL METRIC <sup>(1)</sup>	XL/XD74LS07		UNIT	
	SOP	DIP		
	14 PINS	14 PINS		
R <sub>θJA</sub>	Junction-to-ambient thermal resistance	85.2	50.2	°C/W
R <sub>θJC(top)</sub>	Junction-to-case (top) thermal resistance	43.5	37.5	°C/W
R <sub>θJB</sub>	Junction-to-board thermal resistance	39.7	30	°C/W
ψ <sub>JT</sub>	Junction-to-top characterization parameter	10.9	22.3	°C/W
ψ <sub>JB</sub>	Junction-to-board characterization parameter	39.4	29.9	°C/W

### 6.3. ESD Ratings

		VALUE	UNIT
V <sub>(ESD)</sub>	Electrostatic discharge	Human-body model (HBM), per ANSI/ESDA/JEDEC JS-001 <sup>(1)</sup>	±2000
		Charged-device model (CDM), per JEDEC specification JESD22-C101 <sup>(2)</sup>	±1000

[1] JEDEC document JEP155 states that 500-V HBM allows safe manufacturing with a standard ESD control process.

[2] JEDEC document JEP157 states that 250-V CDM allows safe manufacturing with a standard ESD control process.

### 6.4. Recommended Operating Conditions

over operating free-air temperature range (unless otherwise noted)<sup>(1)</sup>

		MIN	NOM	MAX	UNIT
V <sub>CC</sub>	Supply voltage	4.75	5	5.25	V
V <sub>IH</sub>	High-level input voltage	2			V
V <sub>IL</sub>	Low-level input voltage			0.8	V
V <sub>OH</sub>	High-level output voltage			30	V
I <sub>OL</sub>	Low-level output current			40	mA
T <sub>A</sub>	Operating free-air temperature	-40		85	°C

[1] All unused inputs of the device must be held at V<sub>CC</sub> or GND to ensure proper device operation.

### 6.5. Electrical Characteristics

over recommended operating free-air temperature range (unless otherwise noted)

PARAMETER	TEST CONDITIONS <sup>(1)</sup>		MIN	TYP	MAX	UNIT
V <sub>IK</sub>	V <sub>CC</sub> = MIN, I <sub>I</sub> = -12 mA				-1.5	V
I <sub>OH</sub>	V <sub>CC</sub> = MIN, V <sub>IH</sub> = 2 V	V <sub>OH</sub> = 30 V			0.25	mA
V <sub>OL</sub>	V <sub>CC</sub> = MIN, V <sub>IL</sub> = 0.8 V	I <sub>OL</sub> = 16 mA			0.4	V
		I <sub>OL</sub> = MAX <sup>(2)</sup>			0.7	
I <sub>I</sub>	V <sub>CC</sub> = MAX, V <sub>I</sub> = 7 V				1	mA
I <sub>IH</sub>	V <sub>CC</sub> = MAX, V <sub>I</sub> = 2.4 V				20	μA
I <sub>IL</sub>	V <sub>CC</sub> = MAX, V <sub>I</sub> = 0.4 V				-0.2	mA
I <sub>CCH</sub>	V <sub>CC</sub> = MAX				14	mA
I <sub>CCL</sub>	V <sub>CC</sub> = MAX				45	mA

[1] For conditions shown as MIN or MAX, use the appropriate value specified under recommended operating conditions.

[2] I<sub>OL</sub> = 40 mA

### 6.6. Switching Characteristics

V<sub>CC</sub> = 5 V, T<sub>A</sub> = 25°C (see Figure 2)

PARAMETER	FROM (INPUT)	TO (OUTPUT)	TEST CONDITIONS	MIN	TYP	MAX	UNIT
t <sub>PLH</sub>	A	Y	R <sub>L</sub> = 110 Ω, C <sub>L</sub> = 15 pF		6	10	ns
t <sub>PHL</sub>					19	30	

### 6.7. Typical Characteristics

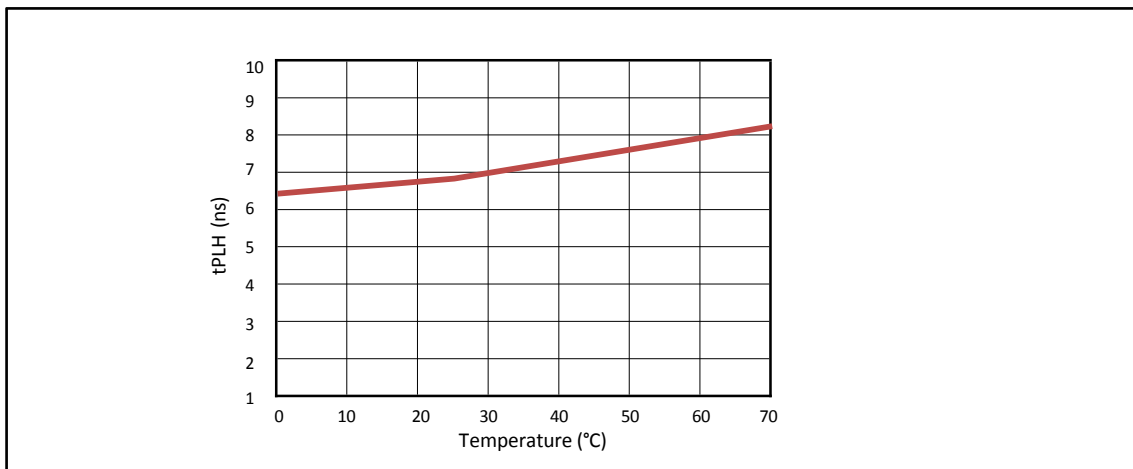
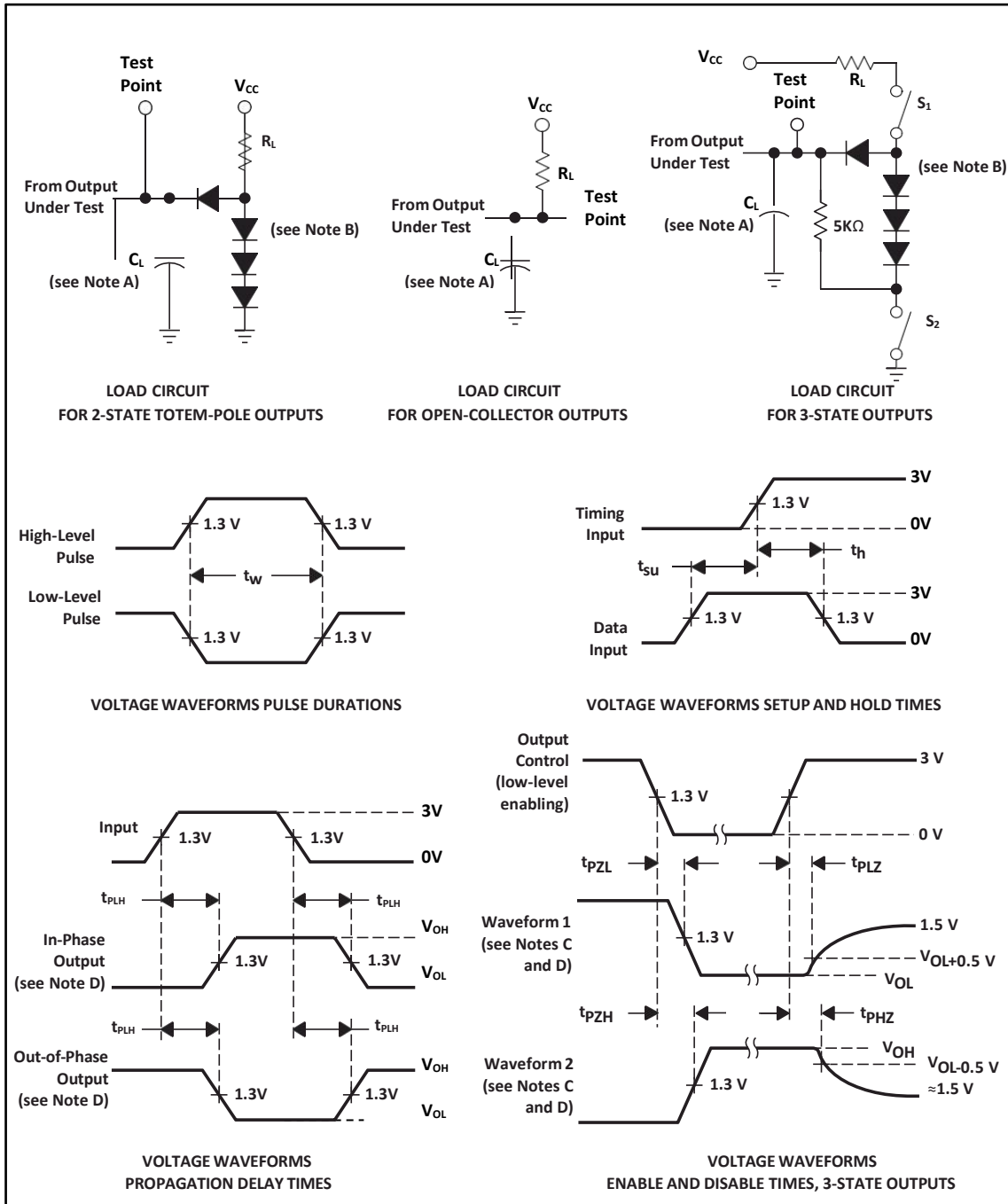


Figure 6-1. t<sub>PLH</sub> vs. Temperature

## 7. Parameter Measurement Information



- [1]  $C_L$  includes probe and jig capacitance.
- [2] All diodes are 1N3064 or equivalent.
- [3] Waveform 1 is for an output with internal conditions such that the output is low, except when disabled by the output control. Waveform 2 is for an output with internal conditions such that the output is high, except when disabled by the output control.
- [4] S1 and S2 are closed for  $t_{PLH}$ ,  $t_{PHL}$ ,  $t_{PHZ}$ , and  $t_{PLZ}$ ; S1 is open and S2 is closed for  $t_{PZH}$ ; S1 is closed and S2 is open for  $t_{PZL}$ .
- [5] Phase relationships between inputs and outputs have been chosen arbitrarily for these examples.
- [6] All input pulses are supplied by generators having the following characteristics:  $PRR \leq 1$  MHz,  $Z_O \approx 50 \Omega$ ,  $t_r \leq 1.5$  ns,  $t_f \leq 2.6$  ns.
- [7] The outputs are measured one at a time, with one input transition per measurement.

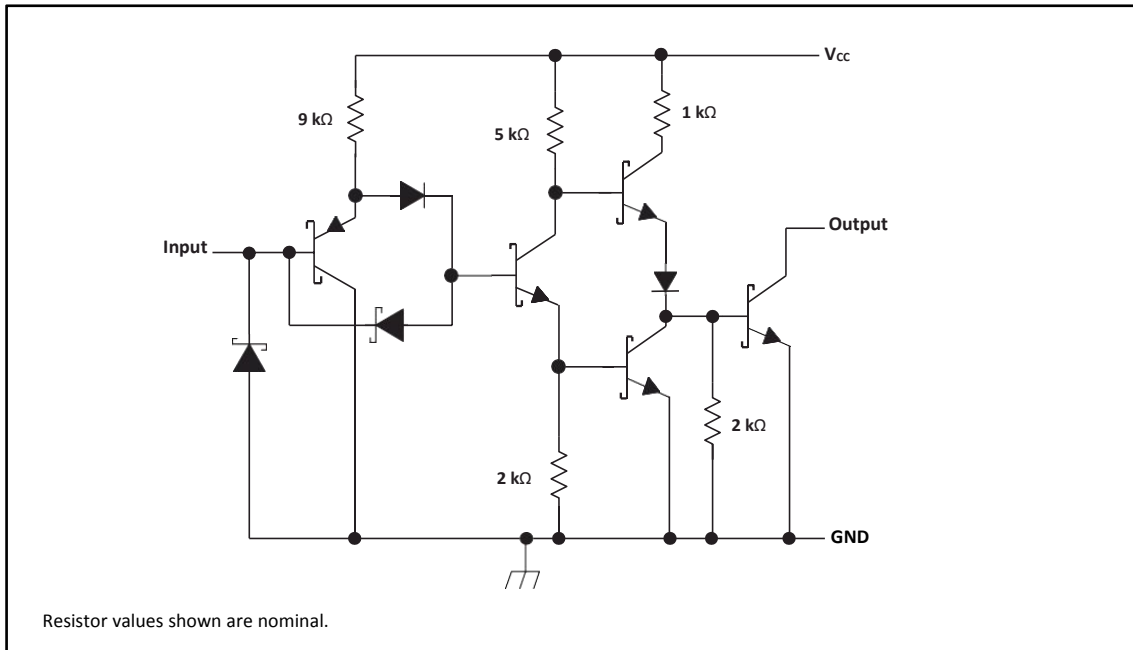
**Figure 7-1. Load Circuits and Voltage Waveforms**

## 8. Detailed Description

### 8.1. Overview

The outputs of the XL/XD74LS07 device are open-collector and can be connected to other open-collector outputs to implement active-low wired-OR or active-high wired-AND functions. The maximum sink current for the XL/XD74LS07 is 40 mA.

Inputs can be driven from 2.5-V, 3.3-V (LVTTTL), or 5-V (CMOS) devices. This feature allows the use of this device as translators in a mixed-system environment.



**Figure 8-1. Schematic (Gate)**

### 8.2. Feature Description

- Allows for up translation
  - Inputs accept voltages to 5.25 V
  - Outputs accept voltages to 30 V
- High Sink-Current Capability
  - Up to 40 mA

### 8.3. Device Functional Modes

Table 1 lists the functions of this device.

**Table 8-1. Function Table**

INPUT A	OUTPUT Y
H	Hi-Z
L	L

## 9. Application and Implementation

### 9.1. Application Information

The XL/XD74LS07 device is a high-drive, open-drain CMOS device that can be used for a multitude of buffer-type functions. It can produce 40 mA of drive current at 5 V. Therefore, this device is ideal for driving multiple inputs. The inputs are 5.25-V tolerant and outputs are 30-V tolerant.

### 9.2. Typical Application

Multiple channels of the XL/XD74LS07 device can be used to create a positive AND logic function, as shown in Figure 9-1. Additionally, the XL/XD74LS07 device can be used to drive an LED by sinking current up to 40 mA, which may be more than the previous stage can sink.

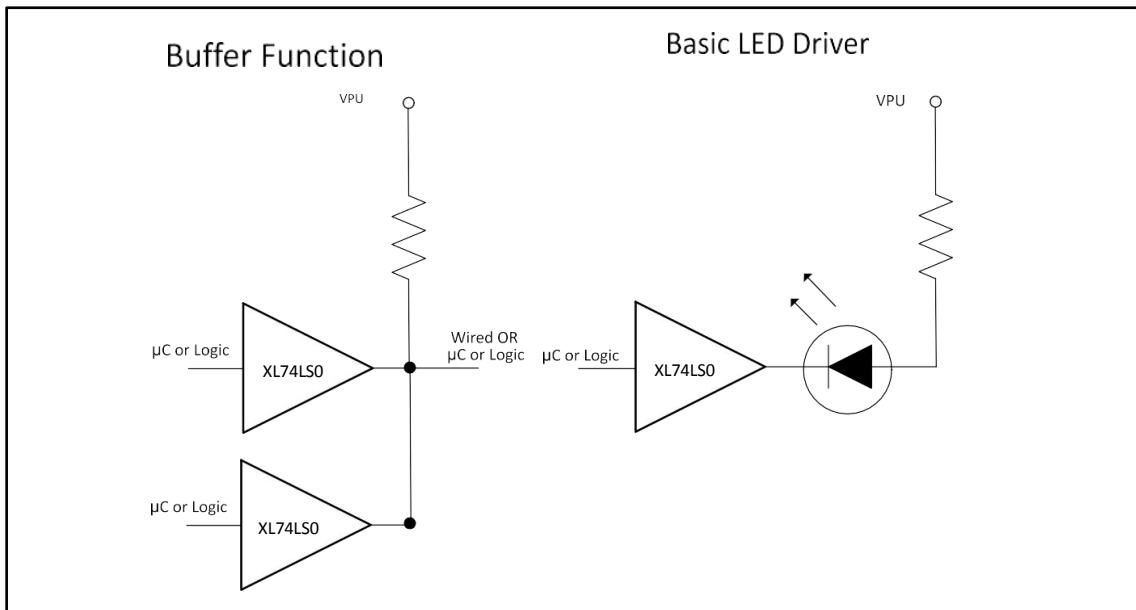


Figure 9-1. Typical Application Diagram

### 9.2.1. Design Requirements

Ensure that the inputs are in a known state as defined by  $V_{IH}$  and  $V_{IL}$  noted in Recommended Operating Conditions, or else the outputs may be in an unknown state.

### 9.2.2. Detailed Design Procedure

#### 1. Recommended Input Conditions

- For specified high and low level, see  $V_{IH}$  and  $V_{IL}$  in Recommended Operating Conditions.
- Inputs are overvoltage tolerant allowing them to go as high as 5.25 V.

#### 2. Recommend Output Conditions

- Load currents must not exceed 40 mA per output.
- Outputs must not be pulled above 30 V.

## Typical Application (continued)

### 9.2.3. Application Curve

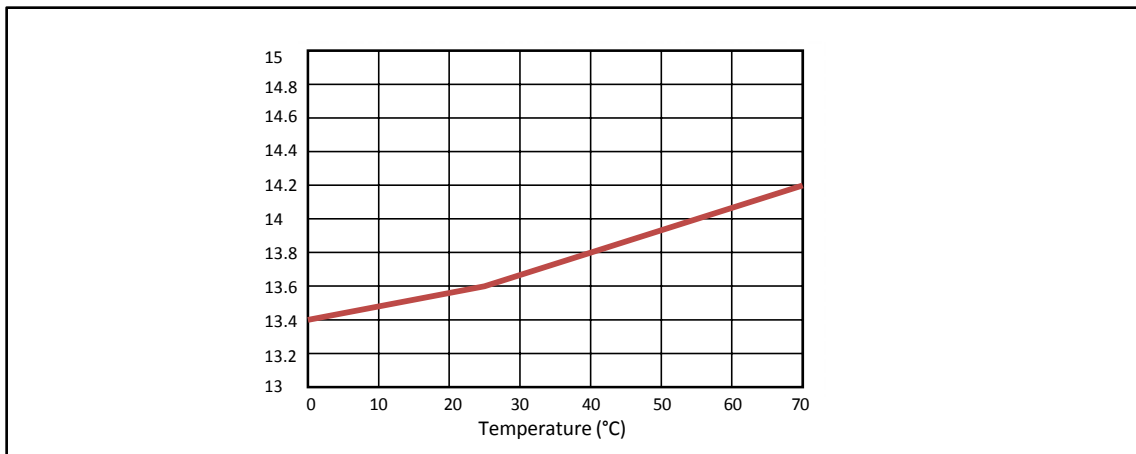


Figure 9-2. tPHL vs Temperature

## 10. POWER SUPPLY RECOMMENDATIONS

The power supply can be any voltage between the minimum and maximum supply voltage rating indicated in Recommended Operating Conditions.

Each  $V_{CC}$  pin must have a good bypass capacitor to prevent power disturbance. For devices with a single supply, XINLUDA recommends a 0.1- $\mu$ F capacitor; if there are multiple  $V_{CC}$  pins, then XINLUDA recommends either a 0.01- $\mu$ F or 0.022- $\mu$ F capacitor for each power pin. It is acceptable to parallel multiple bypass capacitors to reject different frequencies of noise. A 0.1- $\mu$ F and a 1- $\mu$ F capacitor are commonly used in parallel. The bypass capacitor must be installed as close to the power pin as possible for best results.



## 11. LAYOUT

### 11.1. Layout Guidelines

When using multiple bit logic devices, inputs must never float.

In many cases, functions or parts of functions of digital logic devices are unused, for example, when only two inputs of a triple-input AND gate are used or only 3 of the 4 buffer gates are used. Such input pins must not be left unconnected because the undefined voltages at the outside connections result in undefined operational states. Figure 6 specifies the rules that must be observed under all circumstances. All unused inputs of digital logic devices must be connected to a high or low bias to prevent them from floating. The logic level that must be applied to any particular unused input depends on the function of the device. Generally they are tied to GND or VCC, whichever makes more sense or is more convenient. It is generally acceptable to float outputs, unless the part is a transceiver.

### 11.2. Layout Example

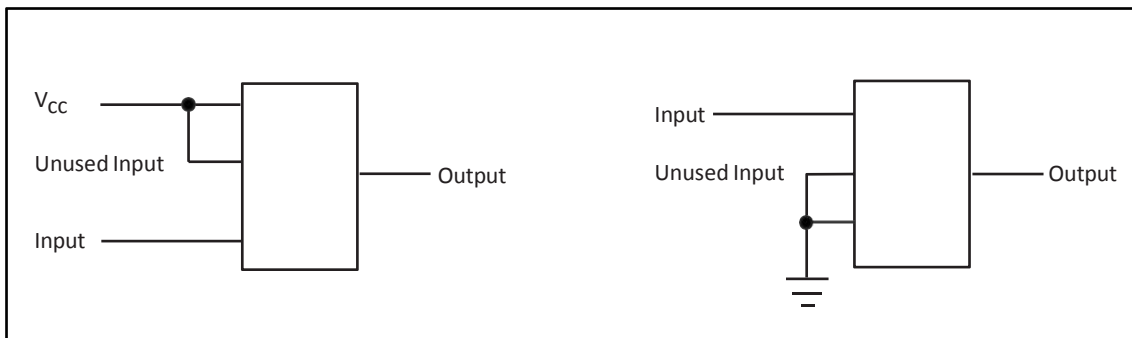
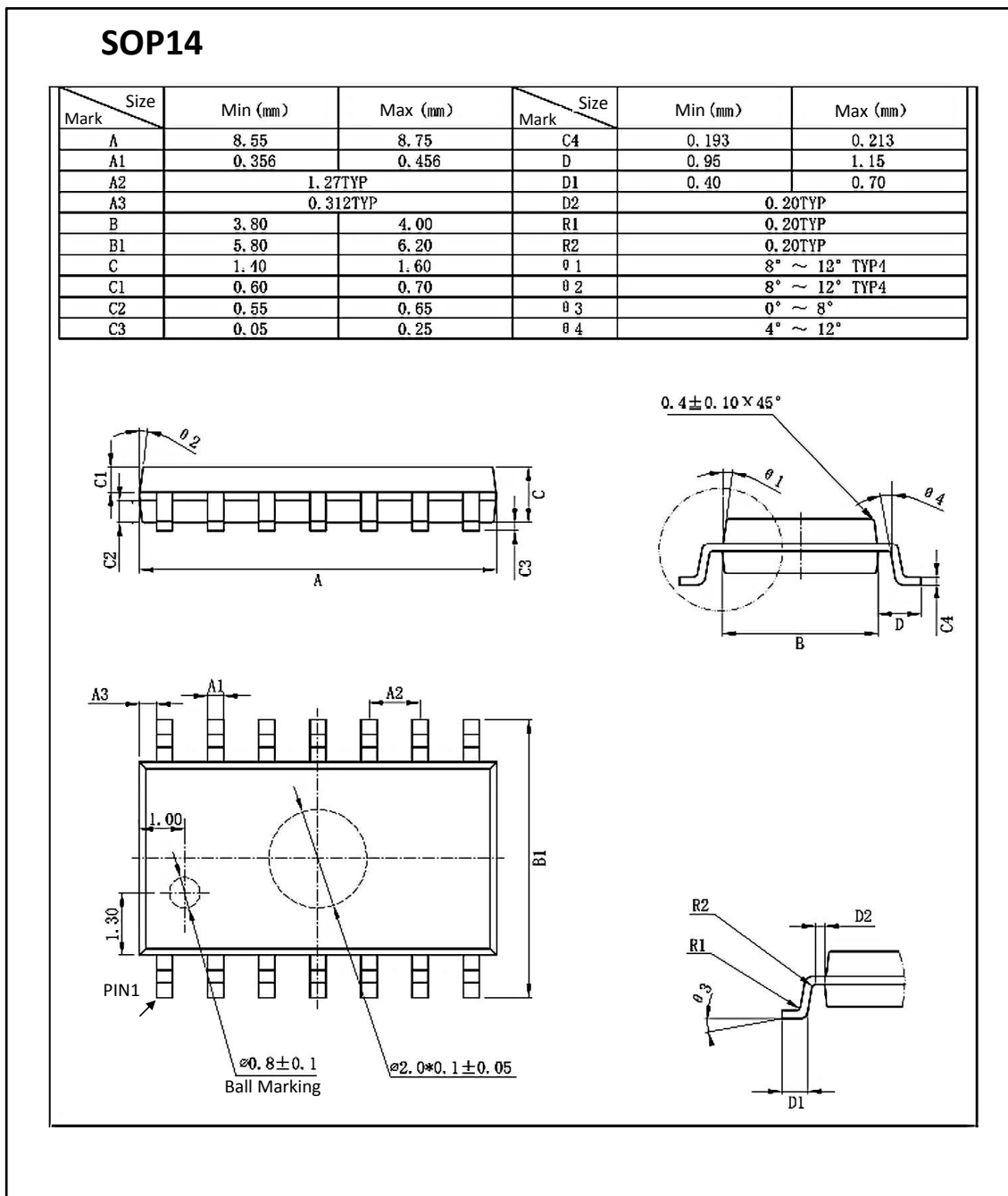


Figure 11-1. Layout Diagram

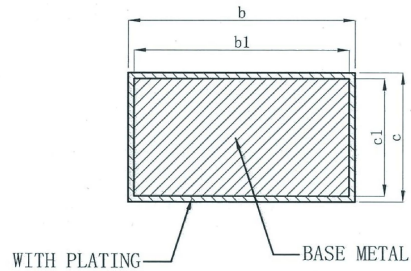
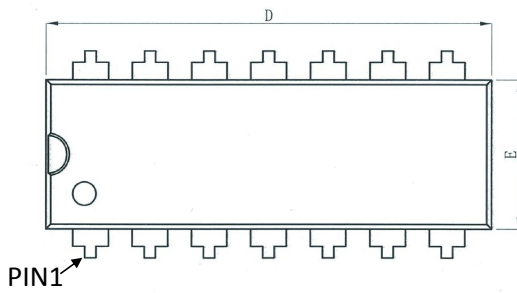
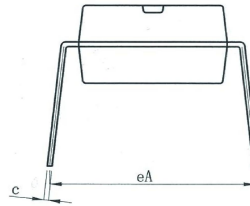
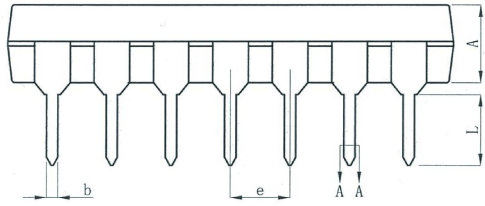
## 12. ORDERING INFORMATION

Ordering Information							
Part Number	Device Marking	Package Type	Body size (mm)	Temperature (°C)	MSL	Transport Media	Package Quantity
XL74LS07	XL74LS07	SOP14	8.75 * 4.00	- 40 to 85	MSL3	T&R	2500
XD74LS07	XD74LS07	DIP14	19.05 * 6.35	- 40 to 85	MSL3	Tube 50	1000

## 13. DIMENSIONAL DRAWINGS



**DIP14**



SECTION A-A

symbol	millimeter		
	Min	Nom	Max
A	3.20	3.30	3.40
b	0.44	----	0.53
b1	0.43	0.46	0.49
c	0.25	----	0.30
c1	0.24	0.25	0.26
D	18.95	19.05	19.15
E	6.25	6.35	6.45
e	2.54BSC		
eA	8.30	8.80	9.30
L	3.00	----	----