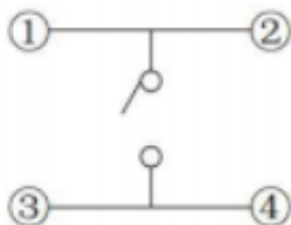
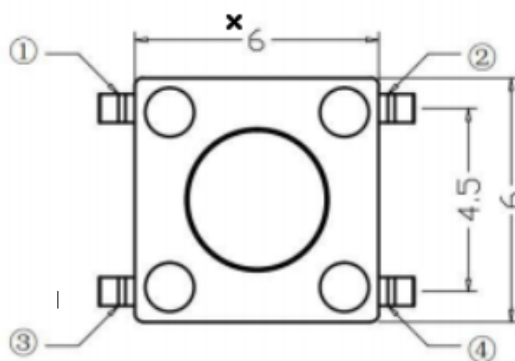
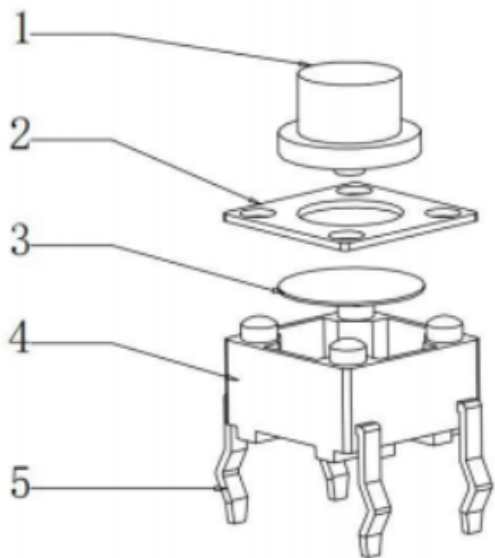
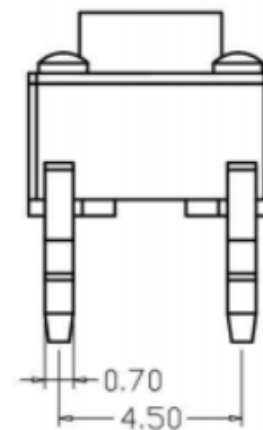
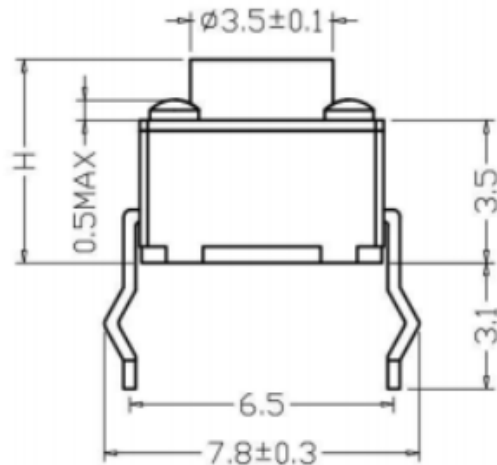


PCB线路板图



电路图

PAPT NO	TC1104-X-X	
Operating Force	160 : 160gf ; 260 : 260gf	
Height	43 : 4.3mm	75 : 7.5mm
	45 : 4.5mm	80 : 8.0mm
	50 : 5.0mm	85 : 8.5mm
	55 : 5.5mm	90 : 9.0mm
	60 : 6.0mm	95 : 9.5mm
	65 : 6.5mm	100 : 10.0mm
	70 : 7.0mm	10.5mm...19mm

		new		2015/5/3	A	瀚源
ECN BO.		DESCRIPTION.		DATE.	REV.	
DESIGNED	CHECKED	APPROVAL	DRAWING NUMBER	SCALT: 1/2		SCALE: 3:1
Mikey	Tom	Jerry	PART NAME	TC1104-X-X	UNLESS OTHERWISE SPECIFIED, TOLERANCE:	X. ±0.25
			MODEL NAME	TC1104-X-X		X.x ±0.20
			3RD ANGLE PROJ	HanElectricity Co.,LTD		X.xx ±0.15
					ANGULAIR	±0.15
					FILE.NO.	±3