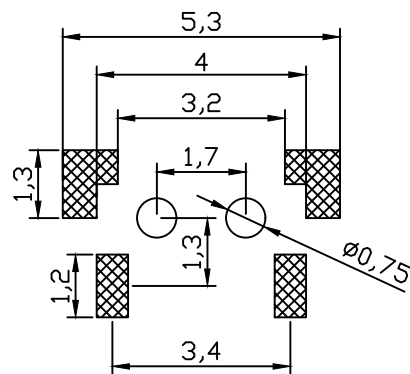
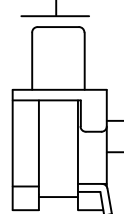
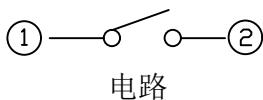


行程 0.15±0.1mm



P . C . B 焊接



SPECIFICATION

Contact Rating: 50mA,12V DC
 Contact Resistance: 100mΩ max
 Insulation Resistance: 100mΩ min.500V DC
 Dielectric Strength: 250V AC/1minute
 Travel: 0.15mm
 Operating Temp: -30℃~+85℃
 Storage Temp: -30℃~+80℃

PAPT NO	TS1010-X-X
Operating Force	160 : 160gf ; 260 : 260gf
Height	35 : 3.5mm

new		2015/5/3	A	瀚源	
ECN BO.		DESCRIPTION.	DATE.		REV.
DESIGNED	CHECKED	APPROVAL	DRAWING NUMBER	SCALT: 1/2	SCALE: 3:1
Mikey	Tom	Jerry	PART NAME	TS1010-X-X	UNLESS OTHERWISE SPECIFIED,TOLERANCE: X. ±0.25 X.x ±0.20 X.xx ±0.15 ANGULAIR ±3
			MODEL NAME	TS1010-X-X	
			3RD ANGLE PROJ	HanElectricity Co.,LTD	