

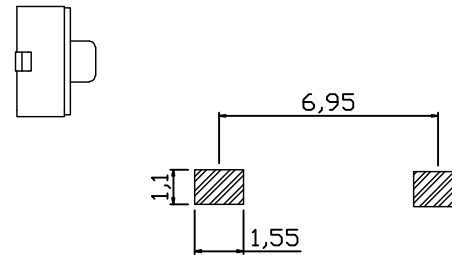
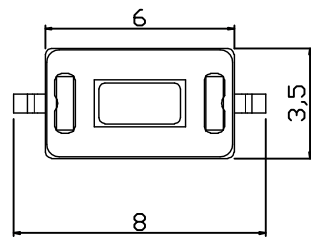
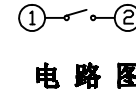
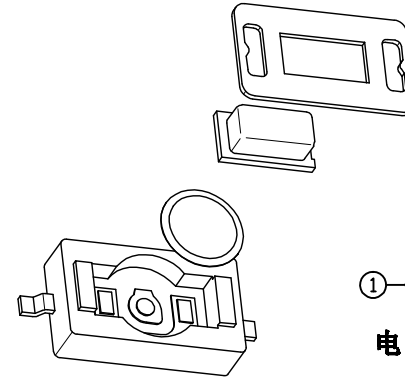
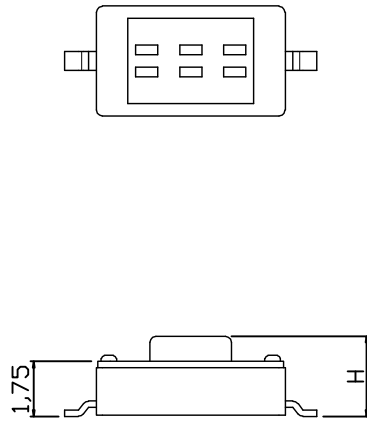
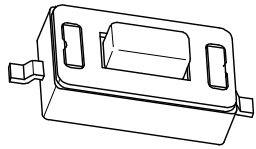
H
2.5

**主要技术规格:**

1. 额定值: 50mA DC12V
2. 接触电阻: 100mΩ
3. 操作力: 250±30gf
4. 行程: 0.20±0.1mm
5. 绝缘电阻: 100MΩ
6. 抗电强度: 250V 50HZ 1Min.
7. 寿命: 30,000 Cycles

**材料:**

- 本体: PPA (黑色)
- 按钮: PPA (黑色)
- 卡件: 黄铜 (镀银)
- 弹片: 不锈钢 (复银)
- 盖板: 铁 (镀铜锡)



**PCB. 焊接图**

PAPT NO	TS1101A-X-X
Operating Force	160 : 160gf ; 260 : 260gf
Height	25 : 2.5mm

		new		2015/5/3	A	瀚源
ECN BO.		DESCRIPTION.		DATE.	REV.	
DESIGNED	CHECKED	APPROVAL	DRAWING NUMBER	SCALT: 1/2		SCALE: 3:1
Mikey	Tom	Jerry	PART NAME	TS1101A-X-X	UNLESS OTHERWISE SPECIFIED, TOLERANCE:	X. ±0.25
			MODEL NAME	TS1101A-X-X		X.x ±0.20
			3RD ANGLE PROJ	HanElectricity Co.,LTD		X.xx ±0.15
					ANGULAIR	±3
					FILE.NO.	