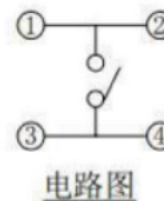
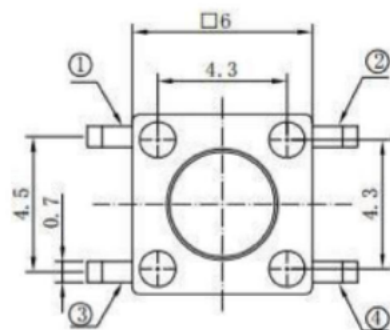


PCB线路板安装图(±0.1)



技术参数:

1. 做用温度: -25~+85℃;
2. 额定负荷: DC 12V 50mA;
3. 接触电阻:  $\leq 50m\Omega$ ;
4. 绝缘电阻:  $\geq 100M\Omega$ ;
5. 耐压: AC250V (50Hz)/min;
6. 动作力:  $250 \pm 50g$ ;
7. 使用寿命: 100000次;
8. 未注尺寸公差参照下面表格。

|                 |                           |               |
|-----------------|---------------------------|---------------|
| PAPT NO         | TS1104-X-X                |               |
| Operating Force | 160 : 160gf ; 260 : 260gf |               |
| Height          | 43 : 4.3mm                | 75 : 7.5mm    |
|                 | 45 : 4.5mm                | 80 : 8.0mm    |
|                 | 50 : 5.0mm                | 85 : 8.5mm    |
|                 | 55 : 5.5mm                | 90 : 9.0mm    |
|                 | 60 : 6.0mm                | 95 : 9.5mm    |
|                 | 65 : 6.5mm                | 100 : 10.0mm  |
|                 | 70 : 7.0mm                | 10.5mm...19mm |

|          |         |              |                |                        |  |            |
|----------|---------|--------------|----------------|------------------------|--|------------|
|          |         | new          |                | 2015/5/3               | A                                      | 瀚源         |
| ECN BO.  |         | DESCRIPTION. |                | DATE.                  | REV.                                   |            |
| DESIGNED | CHECKED | APPROVAL     | DRAWING NUMBER | SCALT: 1/2             |  | SCALE: 3:1 |
| Mikey    | Tom     | Jerry        | PART NAME      | TS1104-X-X             | UNLESS OTHERWISE SPECIFIED, TOLERANCE: | X. ±0.25   |
|          |         |              | MODEL NAME     | TS1104-X-X             |  | X.x ±0.20  |
|          |         |              | 3RD ANGLE PROJ | HanElectricity Co.,LTD |  | X.xx ±0.15 |
|          |         |              |                |                        | ANGULAIR                               | ±0.15      |
|          |         |              |                |                        | FILE.NO.                               | ±3         |