

Description

MPT012N08-T, the N-channel Enhanced Power MOSFETs, is obtained by advanced double trench technology which reduce the conduction loss, improve switching performance and enhance the avalanche energy. This is suitable device for BMS and high current switching applications.

KEY CHARACTERISTICS

Parameter	Value	Unit
V_{DSS}	80	V
I_D	360	A
$R_{DS(on).typ}$	1.1	m Ω

FEATURES

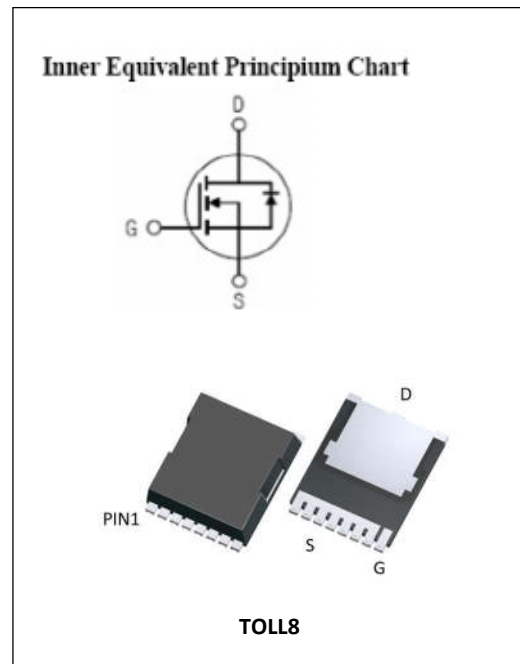
- ① Fast Switching
- ② Low On-Resistance
- ③ Low Gate Charge
- ④ Low Reverse transfer capacitances
- ⑤ High avalanche ruggedness
- ⑥ RoHS product

APPLICATIONS

- ① BMS
- ② High current switching applications

ORDERING INFORMATION

Ordering Codes	Package	Product Code	Packing
MPT012N08-T	TOLL8	MPT012N08-T	Reel



MPT012N08-T

(2) Package type

(1) Chip name

(1) MPT012N08: 1.2m Ω /80V

(2)T: TOLL8



XXXXX: Product Code

YYWW: Year&Week

ZZ: Assembly Code

SSSSS: Lot Code

ABSOLUTE RATINGS

at TC=25°C, unless otherwise specified

Symbol	Parameter	Rating	Units
V _{DSS}	Drain-Source Voltage	80	V
I _D	Continuous Drain Current, Silicon Limited	413	A
	Continuous Drain Current, Package Limited	360	A
	Continuous Drain Current @TC=100°C, Silicon Limited	261.4	A
I _{DM} ^{Note1}	Pulsed Drain Current	1440	A
V _{GS}	Gate-Source Voltage	±20	V
E _{AS} ^{Note2}	Avalanche Energy	1764	mJ
P _D	Power Dissipation	462.9	W
	Derating Factor above 25°C	3.7	W/°C
T _J , T _{stg}	Operating Junction and Storage Temperature Range	150, -55 to 150	°C
T _L	Maximum Temperature for Soldering	260	°C

Note1: Repetitive Rating: Pulse width limited by maximum junction temperature

Note2: L=0.5mH, I_{as}=84A, Start T_J =25°C

Thermal characteristics

Symbol	Parameter	Max	Units
R _{θJC}	thermal resistance, Junction-Case	0.27	°C/W
R _{θJA}	thermal resistance, Junction-Ambient	62.5	°C/W

Electrical Characteristics

at TC=25°C, unless otherwise specified

OFF Characteristics						
Symbol	Parameter	Test Conditions	Values			Units
			Min	Typ	Max	
V _{DSS}	Drain-Source Breakdown Voltage	V _{GS} =0V, I _D =250μA	80	90	--	V
I _{DSS}	Drain-Source Leakage Current	V _{DS} =80V, V _{GS} =0V	--	--	1	μA
		V _{DS} =64V, V _{GS} =0V @T _C =125°C	--	--	100	μA
I _{GSS(F)}	Gate-Source Forward Leakage	V _{GS} =+20V	--	--	100	nA
I _{GSS(R)}	Gate-Source Reverse Leakage	V _{GS} =-20V	--	--	-100	nA

ON Characteristics						
Symbol	Parameter	Test Conditions	Values			Units
			Min	Typ	Max	
$R_{DS(on)}$	Drain-Source On-Resistance	$V_{GS}=10V, I_D=50A$	--	1.1	1.4	m Ω
$V_{GS(th)}$	Gate Threshold Voltage	$V_{DS}=V_{GS}, I_D=250\mu A$	2	3	4	V
Pulse width $t_p \leq 300\mu s, \delta \leq 2\%$						

Dynamic Characteristics						
Symbol	Parameter	Test Conditions	Values			Units
			Min	Typ	Max	
C_{iss}	Input Capacitance	$V_{DS}=40V, V_{GS}=0, f=1MHz$	--	12600	--	pF
C_{oss}	Output Capacitance		--	3600	--	
C_{rss}	Reverse Transfer Capacitance		--	500	--	
Q_g	Total Gate Charge	$V_{DD}=40V, I_D=50A, V_{GS}=10V$	--	230	--	nC
Q_{gs}	Gate-Source charge		--	60	--	
Q_{gd}	Gate-Drain charge		--	63	--	

Switching Characteristics						
Symbol	Parameter	Test Conditions	Values			Units
			Min	Typ	Max	
$t_{d(on)}$	Turn-On Delay Time	$V_{DD}=40V, V_{GS}=10V, R_G=1.6\Omega, \text{Resistive Load}$	--	41	--	ns
t_r	Rise Time		--	51	--	
$t_{d(off)}$	Turn-Off Delay Time		--	110	--	
t_f	Fall Time		--	55	--	

Source-Drain Diode Characteristics						
Symbol	Parameter	Test Conditions	Values			Units
			Min	Typ	Max	
I_S	Continuous Source Current		--	--	360	A
I_{SM}	Maximum Pulsed Current		--	--	1440	A
V_{SD}	Diode Forward Voltage	$V_{GS}=0V, I_S=50A$	--	--	1.2	V
T_{rr}	Reverse Recovery Time	$I_S=50A, V_{GS}=0, di/dt=100A/us$	--	72	--	ns
Q_{rr}	Reverse Recovery Charge		--	120	--	nC

Characteristics Curves

Figure 1. Safe Operating Area

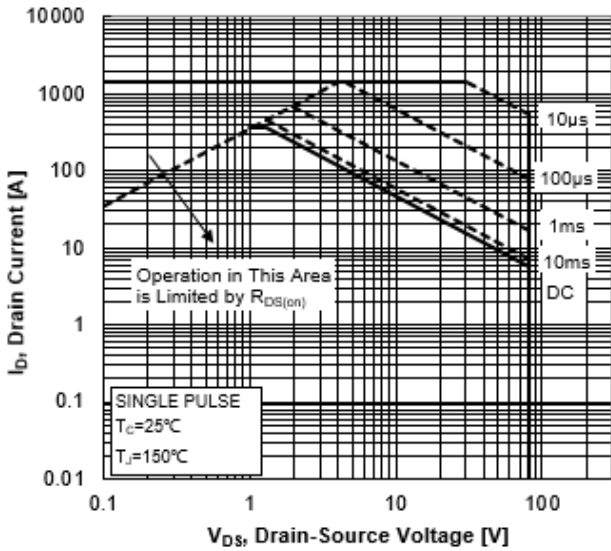


Figure 2. Maximum Power Dissipation vs Case Temperature

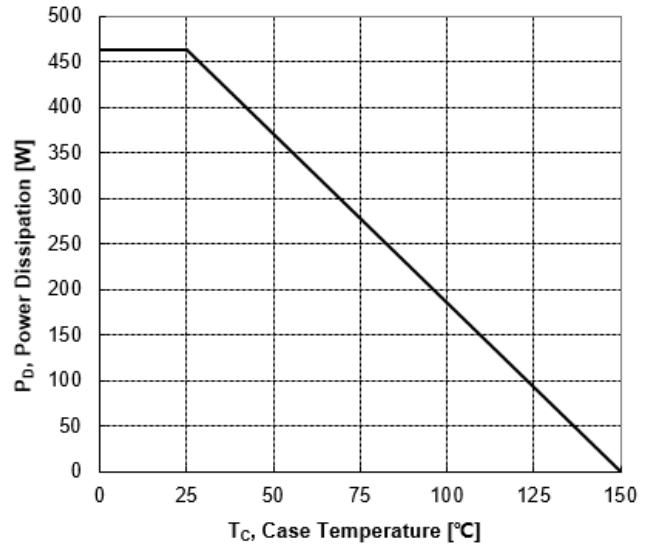


Figure 3. Maximum Continuous Drain Current vs Case Temperature

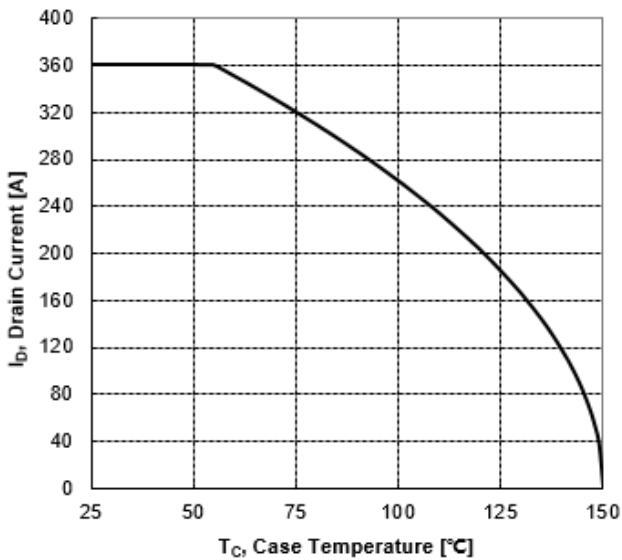


Figure 4. Typical Output Characteristics

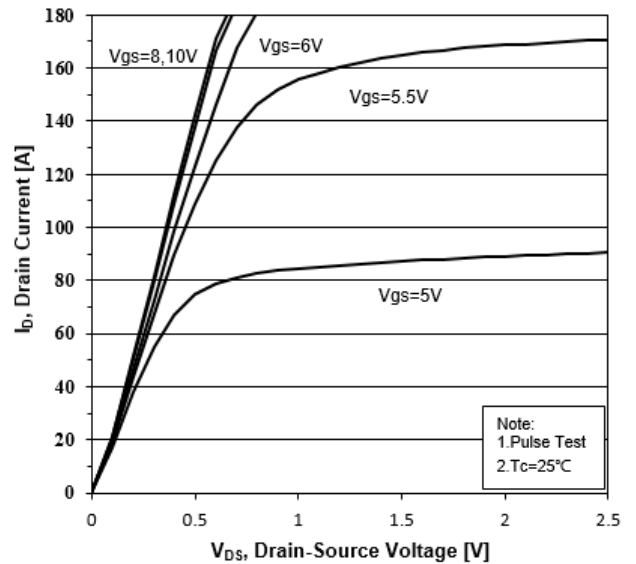


Figure 5. Transient Thermal Impedance

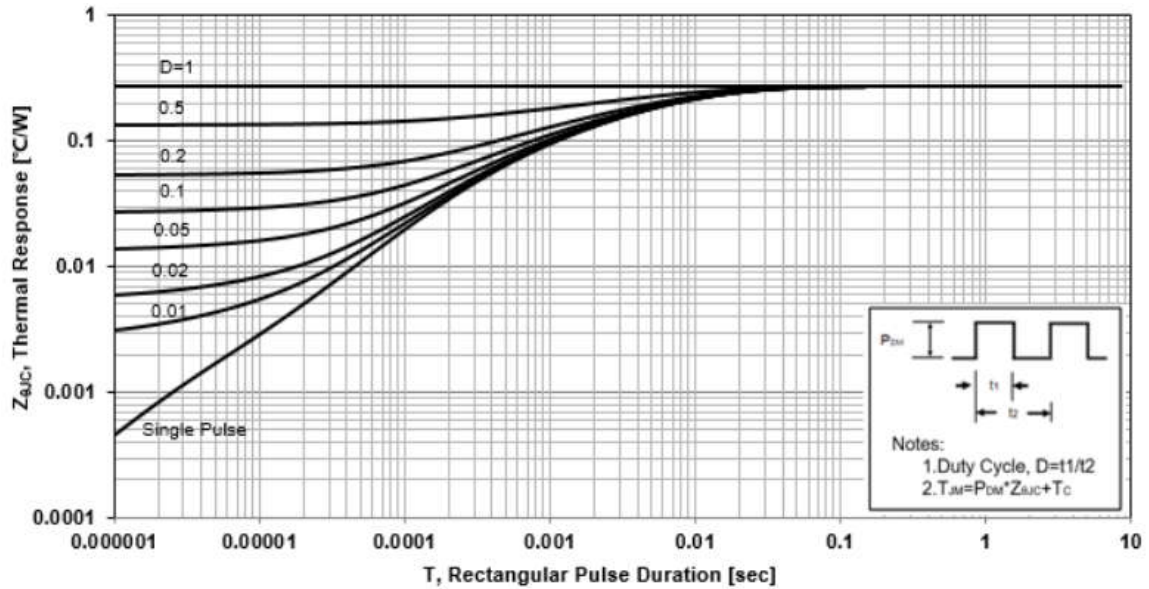


Figure 6. Typical Transfer Characteristics

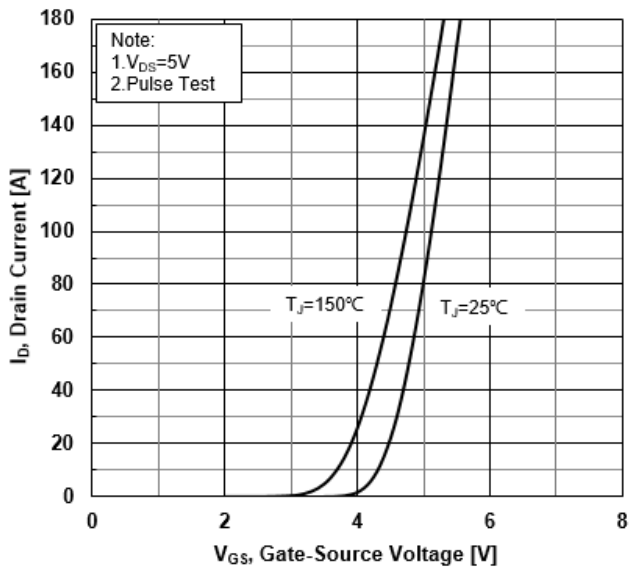


Figure 7. Source-Drain Diode Forward Characteristics

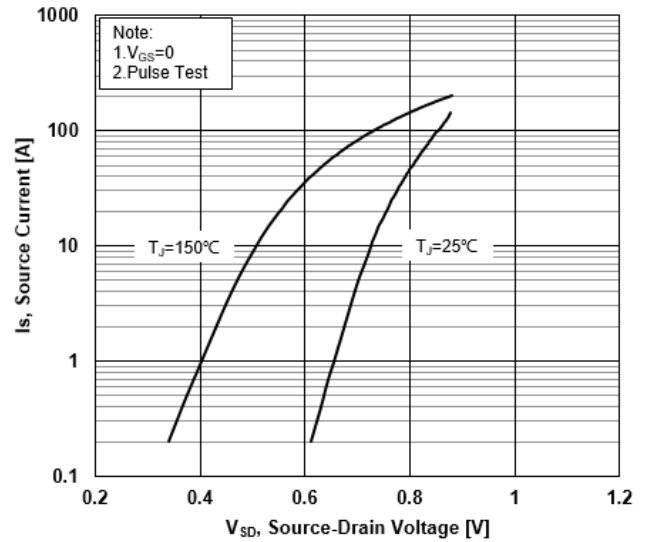


Figure 8. Drain-Source On-Resistance vs Drain Current

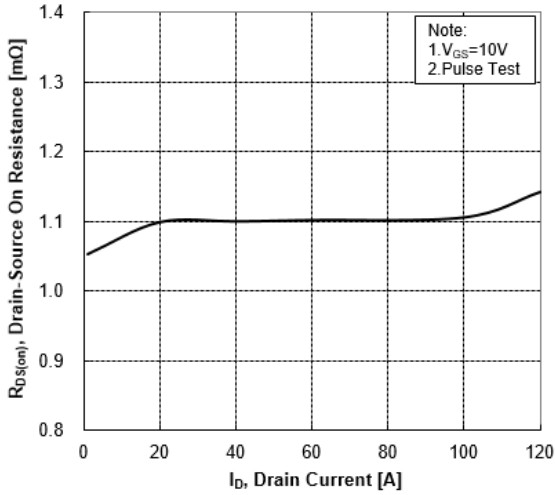


Figure 9. Normalized On-Resistance vs Junction Temperature

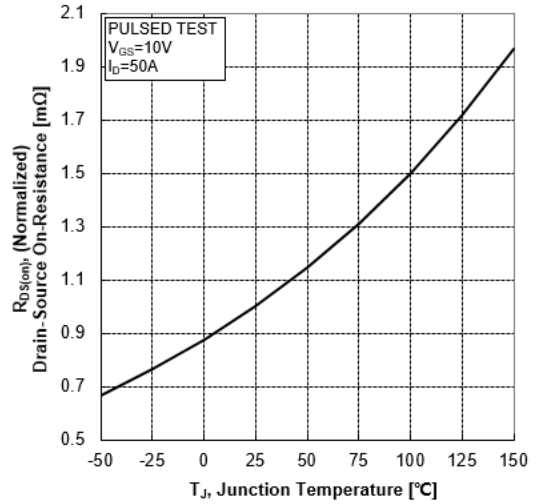


Figure 10. Normalized Threshold Voltage vs Junction Temperature

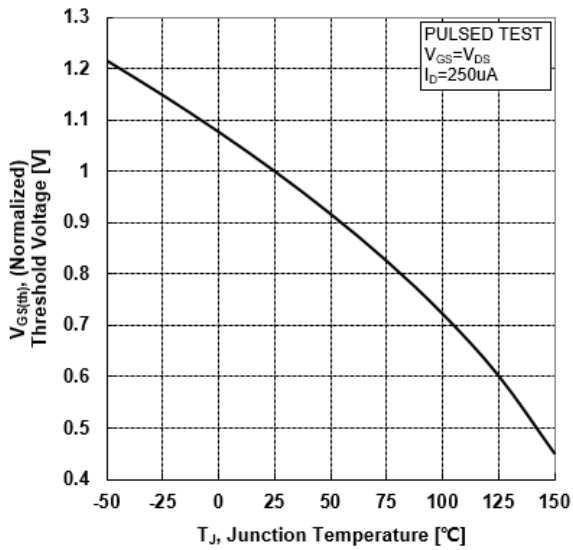


Figure 11. Normalized Breakdown Voltage vs Junction Temperature

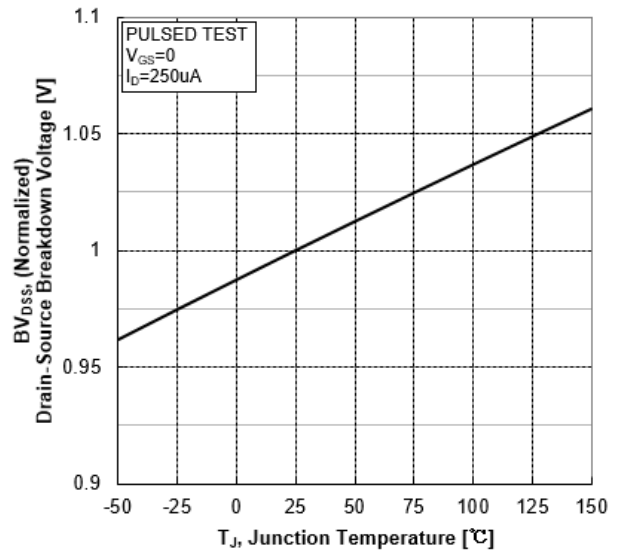


Figure 12. Capacitance Characteristics

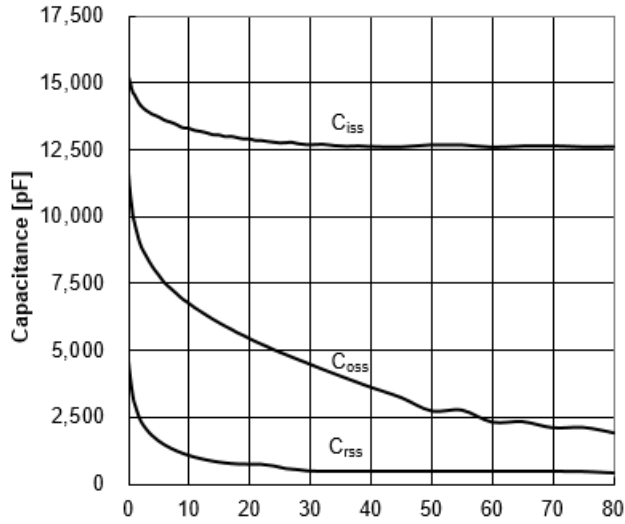
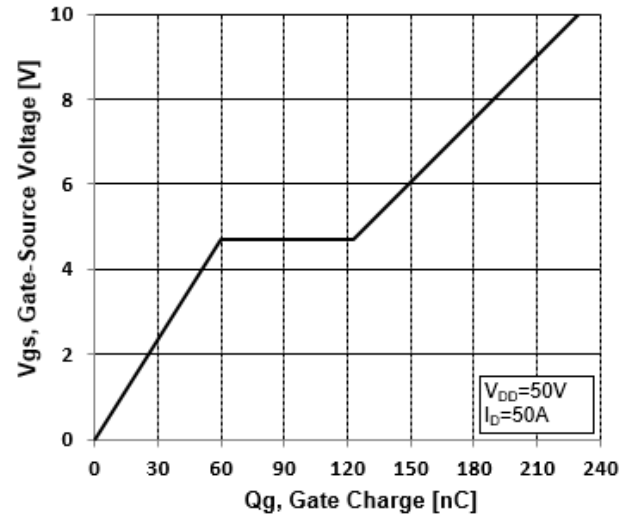


Figure 13. Typical Gate Charge vs Gate-Source Voltage



Test Circuit and Waveform

Figure 14. Resistive Switching Test Circuit

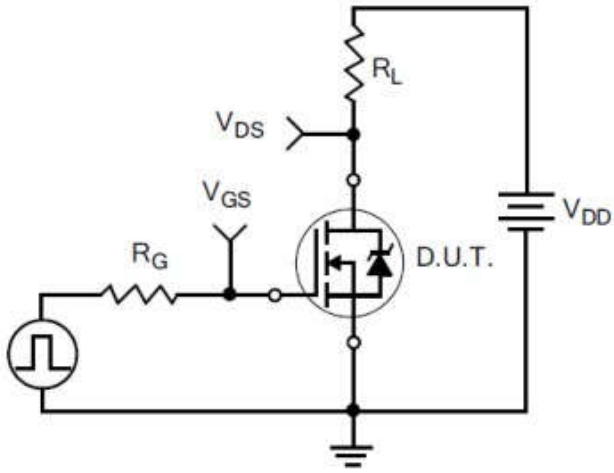


Figure 15. Resistive Switching Waveforms

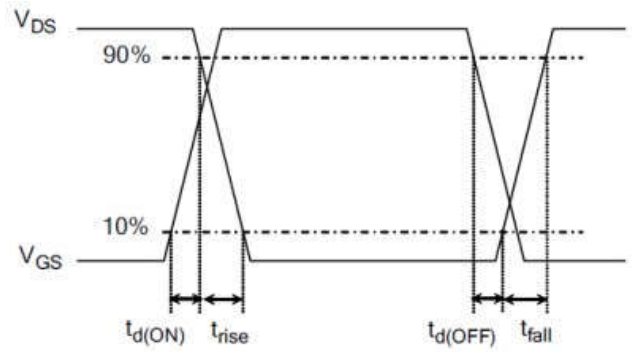


Figure 16. Gate Charge Test Circuit

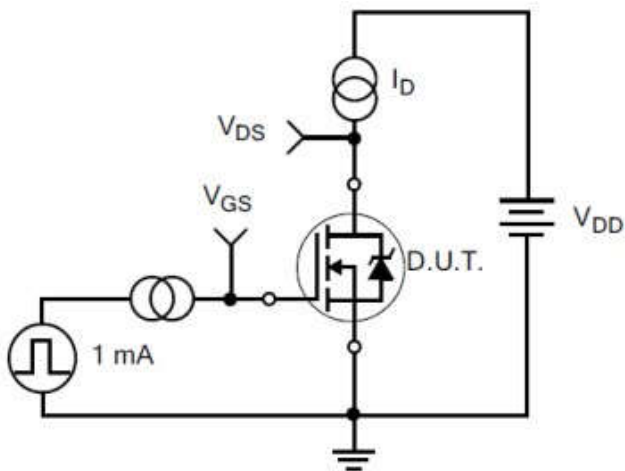


Figure 17. Gate Charge Waveforms

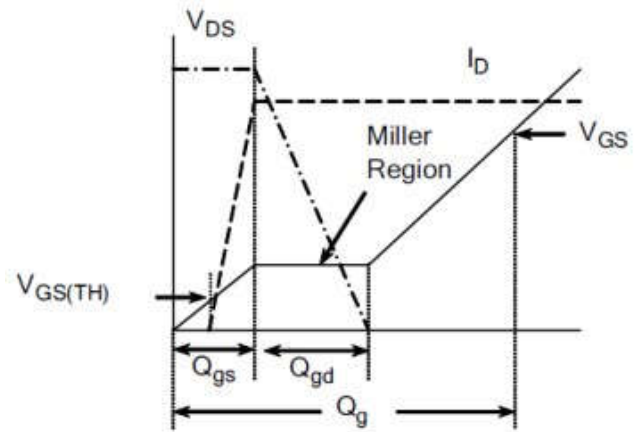


Figure 18. Diode Reverse Recovery Test Circuit

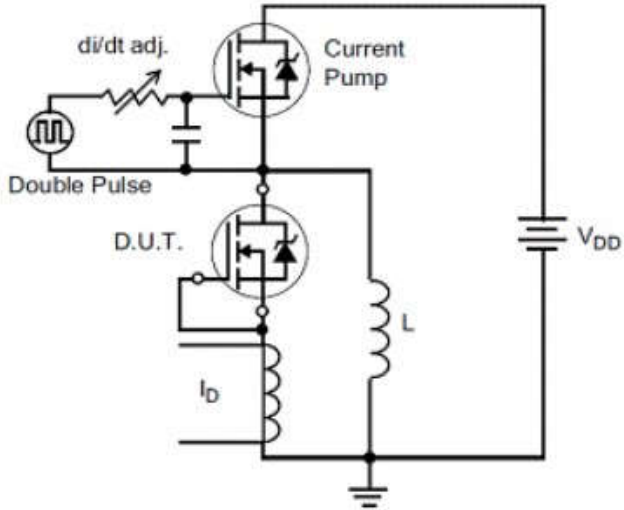


Figure 19. Diode Reverse Recovery Waveform

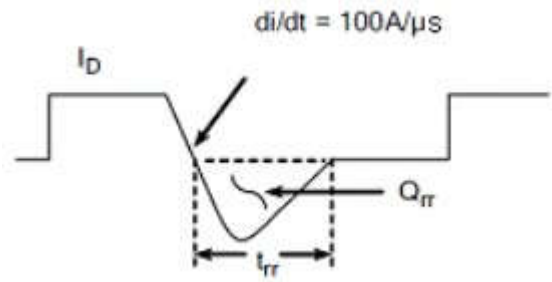


Figure 20. Unclamped Inductive Switching Test Circuit

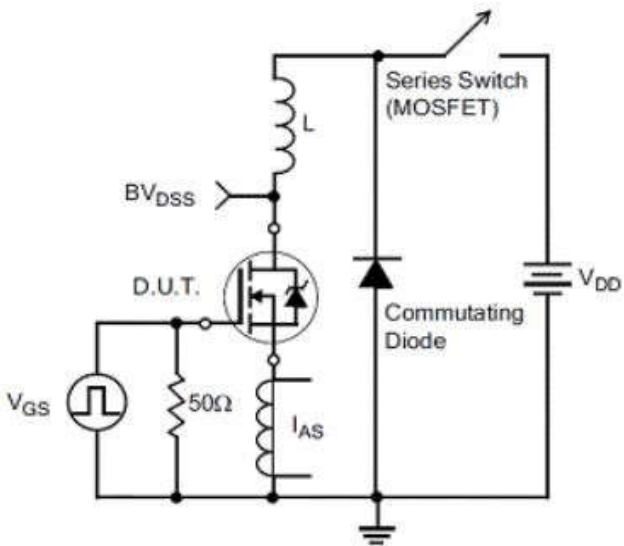
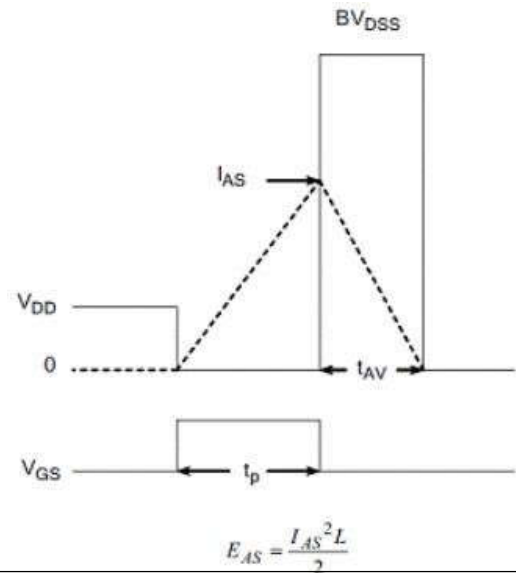
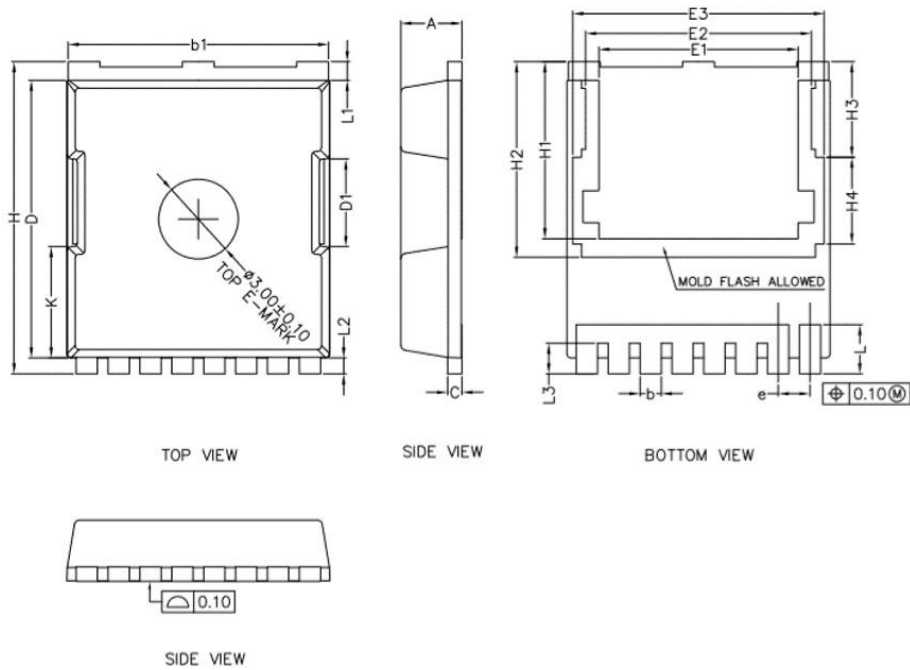


Figure 21. Unclamped Inductive Switching Waveform



Package Description

TOLL8



SYMBOL	MIN	NOM	MAX
A	2.20	2.30	2.40
b	0.70	0.80	0.90
b1	9.70	9.80	9.90
c	0.40	0.50	0.60
D	10.28	10.43	10.58
D1	3.15	3.30	3.45
E	9.70	9.90	10.10
E1	7.35	7.50	7.65
E2	8.35	8.50	8.65
E3	9.31	9.46	9.61
e	1.10	1.20	1.30
H	11.48	11.73	11.88
H1	6.55	6.65	6.75
H2	7.20	7.35	7.50
H3	3.44	3.59	3.74
H4	3.11	3.26	3.41
K	4.03	4.18	4.33
L	1.60	1.85	2.10
L1	0.55	0.70	0.85
L2	0.45	0.60	0.75
L3	1.00	1.15	1.30



NOTE:

1. Exceeding the maximum ratings of the device in performance may cause damage to the device, even the permanent failure, which may affect the dependability of the machine. Please do not exceed the absolute maximum ratings of the device when circuit designing.
2. When installing the heat sink, please pay attention to the torsional moment and the smoothness of the heat sink.
3. MOSFETs is the device which is sensitive to the static electricity, it is necessary to protect the device from being damaged by the static electricity when using it.
4. Shenzhen Minos reserves the right to make changes in this specification sheet and is subject to change without prior notice.

CONTACT:

深圳市迈诺斯科技有限公司（总部）

地址：深圳市福田区华富街道田面社区深南中路4026号田面城市大厦22B-22C

邮编：518025

电话：0755-83273777