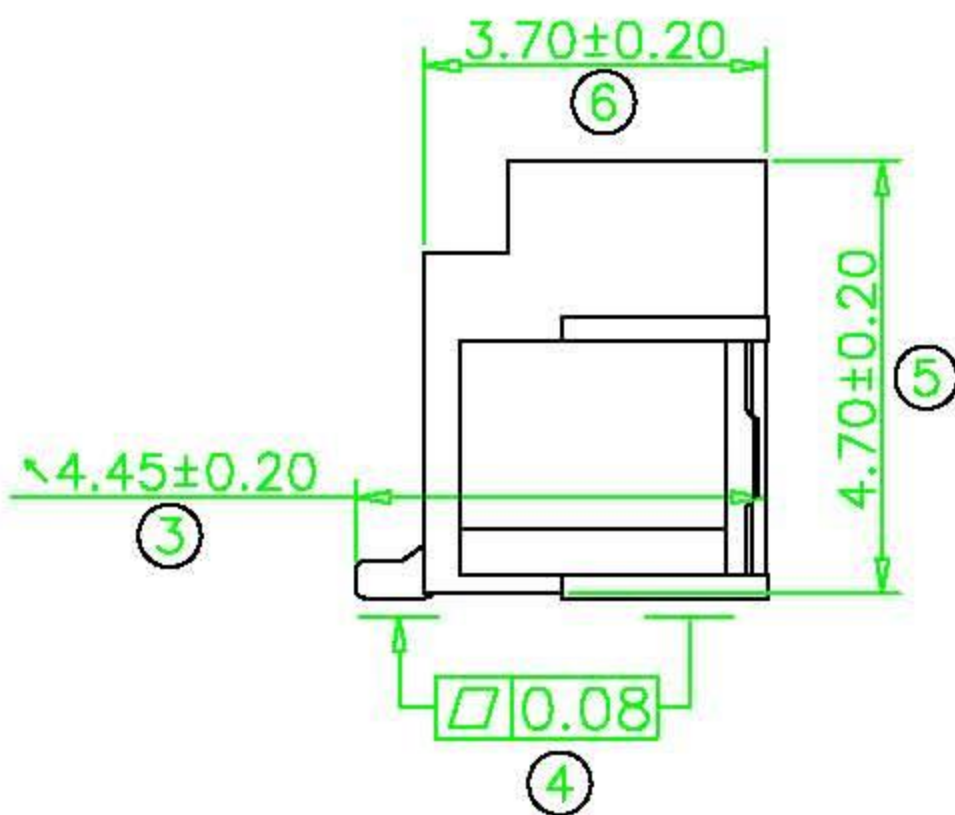


P.C.B LAYOUT



Notes:
1. : 0.05mm(max.)

Circuit No.	Dimensions	
	A	B
02P	1.25	7.75
03P	2.50	9.00
04P	3.75	10.25
05P	5.00	11.50
06P	6.25	12.75
07P	7.50	14.00
08P	8.75	15.25
09P	10.00	16.50
10P	11.25	17.75
11P	12.50	19.00
12P	13.75	20.25
13P	15.00	21.50
14P	16.25	22.75
15P	17.50	24.00
16P	18.75	25.25
17P	20.00	26.50
18P	21.25	27.75

Material	Color	Pin Material	Solder Tabs
Nylon 6T,UL94V-0	Natural(Beige)	Phosphor Bronze/Tin-plated	Phosphor Bronze/Tin-plated
Nylon 6T,UL94V-0	Natural(Beige)	Phosphor Bronze/Gold-flash	Phosphor Bronze/Gold-flash

REV.	DATE	DESCRIPTION	CHK.	APPD.	UNIT	mm	GENERAL TOLERANCE	DR.	DATE	TITLE	PART NO.	
A1	2008.08.25						X.X ±0.10		2008.01.07	L&X 深圳市连欣科技有限公司 TEL: 0755-33978030 FAX: 0755-32937438 TITLE 1.25mm PITCH 180~ WAFER -SMT TYPE	SEE TABLE	
A0	2008.01.07	NEW RELEASE					X.XX ±0.05	ANGLES ±1~			DRAWING NO. XDWF-1251-**-P	
							X.XXX ±0.03	MAJOR DIM.			SCALE	SHEET
								MAJOR DIM.		N/A	1/1	A1