

6

5

4

3

2

1

D

D

C

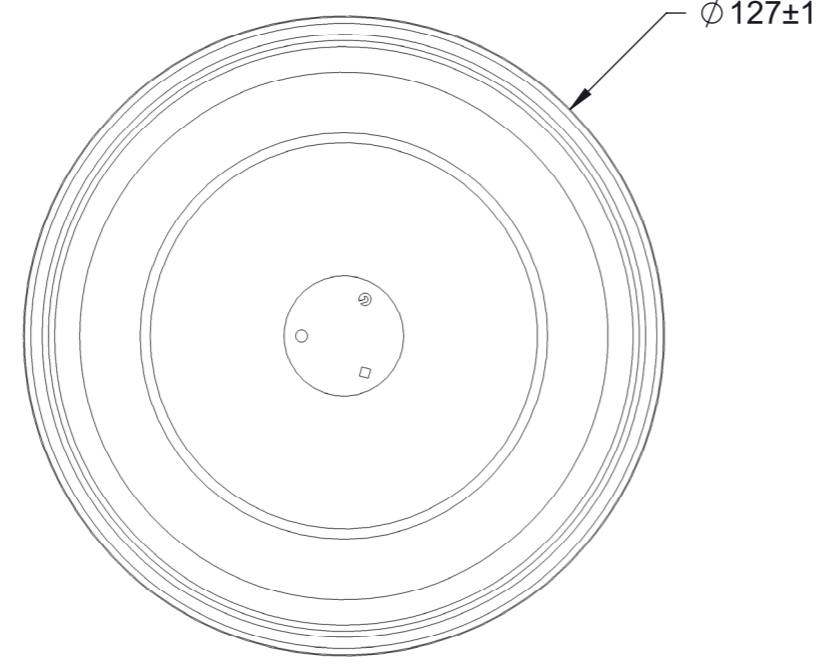
C

B

B

A

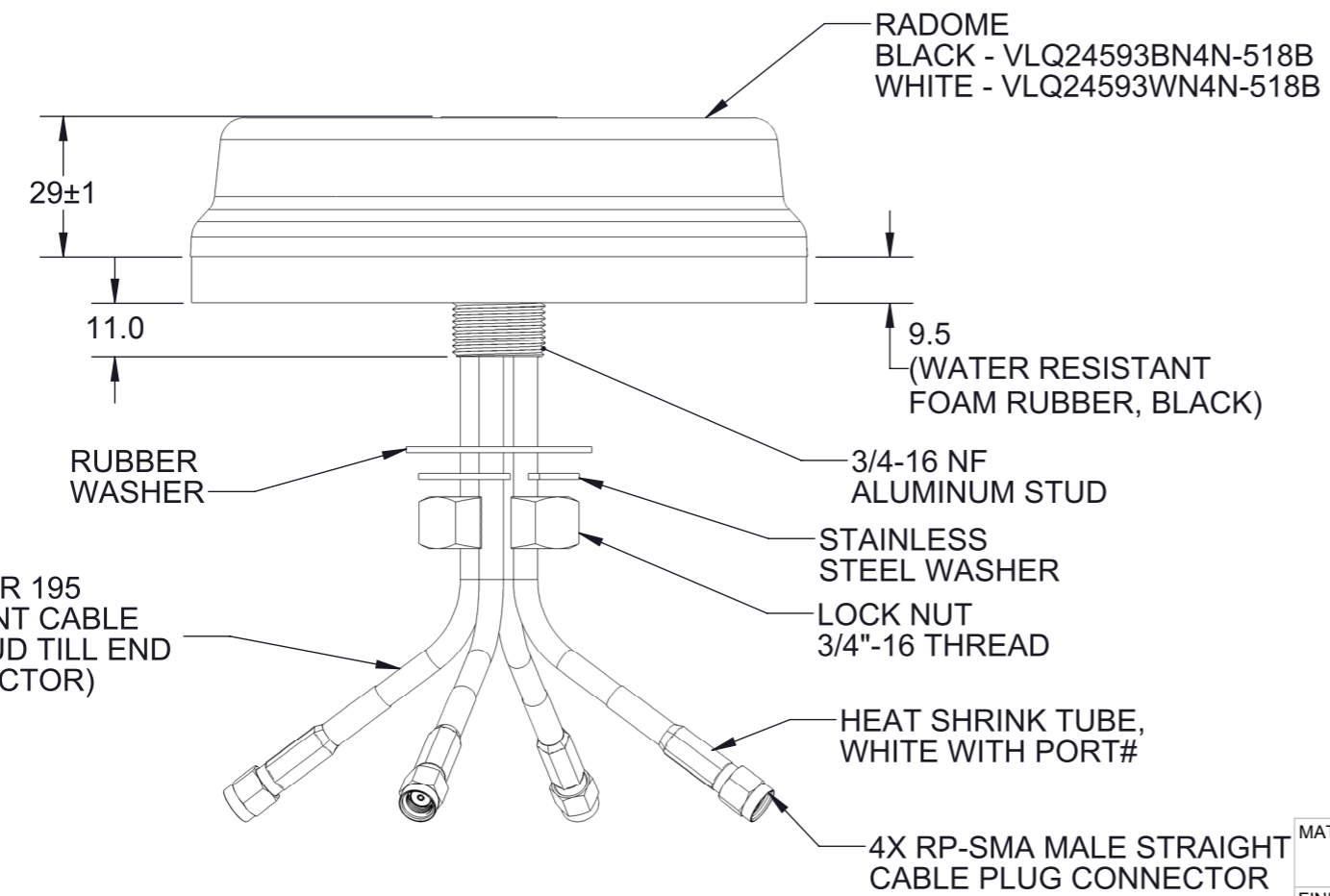
A



REVISIONS					
REV.	ECR#	ZONE	DESCRIPTION	CHANGED BY/DATE	APPROVED BY/DATE
F01	ECN-IAS-04376		INITIAL RELEASE	WT NG 22JUL15	HANG 22JUN15

SPECIFICATION	PERFORMANCE	
Frequency Bands, MHz	2400-2500	4900-5925
Peak Gain, dBi (Typ)*	1.4	2.6
Peak Gain, dBi (Max)*	2.2	3.5
VSWR (Typ)**	1.5	1.5
Isolation, dB**	> 20	> 26
Max Gain +-30 above Horizon,	NA	3.5
Maximum VSWR**	2.0:1	
Nominal Impedance	50Ω	
Max Power (Ambient temp of	10 Watts Max per port	
Polarization	Linear, Vertical	
Azimuth Beam Width	Omnidirectional	
RF Connector	4X RP-SMA Male Cable Plug Connector	
Cable Type	LMR195 Equivalent Cable, Black	
Exposed Cable Length, Lc	5181 ± 102 mm	
Radome	PC, UV Resistant, UL94 V-0, White/Black	
Mounting	Bulkhead	
Dimensions (diameter x height) with gasket	Ø127 mm x 38.5 mm	
Weight	Approximate 2.01 lb (0.91kg)	
Storage Temperature (°C)	-35°C to 80°C	
Operational Temperature (°C)	-35°C to 75°C	
Flammability Rating (Radome)	UL94-V0	
Material Substance Compliance	RoHS Compliant	

\*measured with 1ft cable  
 \*\*measured with 17ft cable



THIS DRAWING IS UNPUBLISHED. RELEASED FOR PUBLICATION - - .

© Copyright 2022 TE Connectivity Ltd. ALL RIGHTS RESERVED.

MATERIAL:	THIRD ANGLE PROJECTION	
FINISH:	DO NOT SCALE DRAWING	
APPROVALS	DATE	TITLE:
DRAWN BY: WT NG	22JUL15	<b>VLQ24593xN4N-518B</b>
ELEC. ENG.: EC LEE	22JUL15	
MECH. ENG.: WT NG	22JUL15	
MFG./OPS.: HE KHOR	22JUL15	
INTERPRET DIMENSIONING AND TOLERANCING IN ACCORDANCE WITH ASME Y14.5M-2009 TOLERANCES UNLESS OTHERWISE SPECIFIED DIMENSIONS ARE IN MILLIMETERS		SIZE: <b>A3</b>
ANGLE: ±30' 0 PLACE DECIMAL: ±0.5 1 PLACE DECIMAL: ±0.25 2 PLACE DECIMAL: ±0.13 SURFACE ROUGHNESS 1.6/√		DWG. NO.: <b>VLQ24593xN4N-518BMO</b>
		REV: <b>F01</b>
		SCALE: 1:1.5 PREVIOUS#
		SHEET 1 OF 1

6

5

4

3

2

1