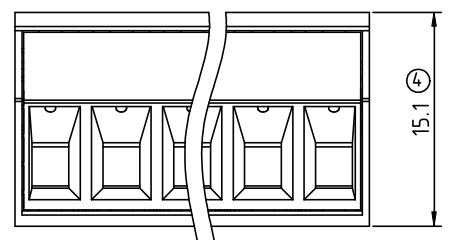
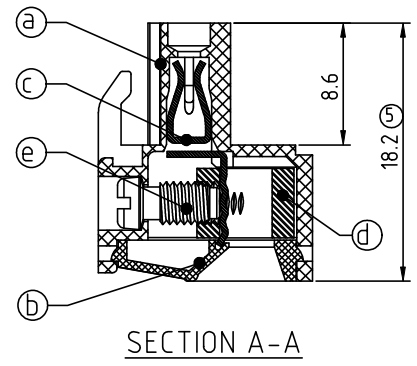
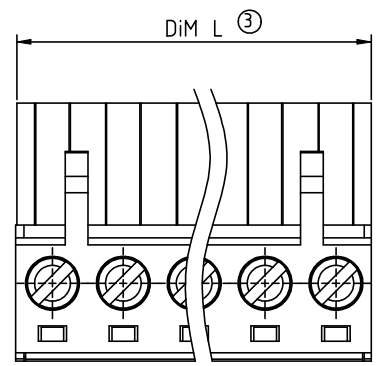
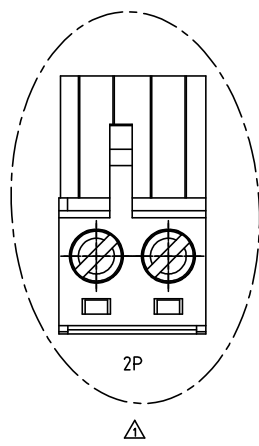
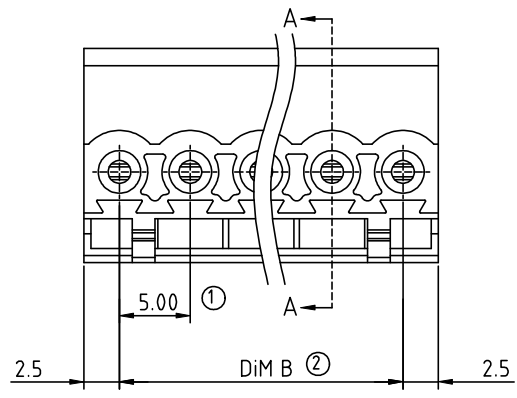


SIGN	DATE	DESCRIPTION	APPROVER
△	2010.03.08	Add the 2P mark	Jacke
△	2016.02.18	Add the colour code	Chenhao

THIS IS CAD DRAWING, DO NOT REVISE MANUALLY!!!



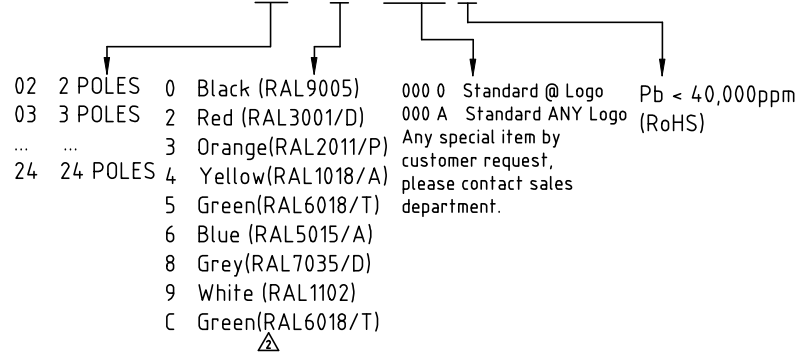
Material

- Item① Terminal body:Thermoplastic (UL94V-0)
- Item② Terminal cover:Thermoplastic (UL94V-0)
- Item③ Female contact:PhBz (CuSn) Tin plated
- Item④ Clamp:Brass:Ni plated
- Item⑤ Terminal screw:Steel Zinc plating "--" slot type

Electrical

- Voltage rating:300V
- Current rating:20A
- Solid wire(AWG):12-24
- Stranded wire(AWG):12-24
- Torque(Lb-In): 5
- Screw: M3
- Wire strip length: 7-8mm
- Withstanding Voltage: 1.6KV
- Operating temperature: -40°C to +115°C
- Safeyt Approval: us

TJ xx 71x 6 xxxx G



Poles	02	03	04	05	06	07	08	09	10	11	12	13	
Dim L	10.00	15.00	20.00	25.00	30.00	35.00	40.00	45.00	50.00	55.00	60.00	65.00	
Dim B	5.00	10.00	15.00	20.00	25.00	30.00	35.00	40.00	45.00	50.00	55.00	60.00	
TOL	±0.15				±0.20				±0.25				
Poles	14	15	16	17	18	19	20	21	22	23	24		
Dim L	70.00	75.00	80.00	85.00	90.00	95.00	100.00	105.00	110.00	115.00	120.00		
Dim B	65.00	70.00	75.00	80.00	85.00	90.00	95.00	100.00	105.00	110.00	115.00		
TOL	±0.25			±0.30				±0.40					

ANYTEK				CUSTOMER COPY			
ALL RIGHTS RESERVED. REPRODUCTION OR ISSUE TO THIRD PARTIES IN ANY FORM WHATSOEVER IS NOT PERMITTED WITHOUT WRITTEN AUTHORITY FROM THE PROPRIETOR. PROPERTY OF ANYTEK TECHNOLOGY CO., LTD							
TITLE		TJ 5.0 Series Without flange contact on up side					
PART NO.		TJxx71x6xxxxG			DWG NO.		8TJ0901
APPROVED		CHECKED	DESIGNED	DRAWN	CUST NO.		Tolerance
			Chenhao 2016/2/18	Chenhao 2016/2/18			X. ±0.50
							X.X ±0.30
							X.XX ±0.10
							X° ±1°
						UNIT: mm	
						SCALE: NONE	
				SHEET: 01/01		REV.: D	