

# Product data sheet

Specifications



## vacuum switch XMLB - 200 mbar - adjustable scale 2 thresholds - 1 C/O

XMLBM03R2S12EX

! Discontinued on: 08 December 2022

! Discontinued

### Main

|   |  |
|---|--|
| Range of product  | Telemecanique Pressure sensors XM            |
| Pressure sensor type                                    | Electromechanical vacuum sensor              |
| Product specific application                            | ATEX D                                       |
| Pressure sensor name                                    | XMLB   |
| Electrical circuit type                                 | Control circuit                              |
| Pressure switch type of operation                       | Regulation between 2 thresholds              |
| Scale type  | Adjustable differential                      |
| Pressure rating   | 0.2 bar                                      |
| Local display   | With   |
| Fluid connection type                                   | G 1/4 (female) conforming to ISO 228         |
| Adjustable range of switching point on falling pressure | -0.2...-0.02 bar                             |
| Adjustable range of switching point on rising pressure  | -0.182...-0.002 bar                          |
| Possible differential maximum at high setting           | 0.18 bar                                     |
| Maximum permissible accidental pressure                 | 2 bar  |
| Destruction pressure                                    | 3.5 bar                                      |
| Pressure actuator                                       | Diaphragm                                    |
| Controlled fluid  | Air (0...70 °C)<br>Hydraulic oil (0...70 °C) |
| Materials in contact with fluid                         | Steel<br>FPM, FKM<br>Stainless steel         |
| Enclosure material                                      | Zinc alloy                                   |

### Complementary

|  |   |
|--|---|
| Maximum permissible pressure - per cycle | 1 bar   |
| Cable entry number                       | 1 tapped entry for M20 x 1.5 cable gland (included) |

|                                      |                 |
|--------------------------------------|-----------------|
| <b>Terminal block type</b>           | 4 terminals     |
| <b>Repeat accuracy</b>               | 2 %             |
| <b>Auxiliary contacts operation</b>  | Snap action     |
| <b>Contacts material</b>             | Silver contacts |
| <b>Mechanical durability</b>         | 3000000 cycles  |
| <b>Setting</b>                       | External        |
| <b>Terminals description ISO n°1</b> | (13-14-11-12)OF |
| <b>Height</b>                        | 145 mm          |
| <b>Depth</b>                         | 155.5 mm        |
| <b>Width</b>                         | 150 mm          |

## Environment

|  |   |
|--|---|
| <b>Standards</b>                             | EN/IEC 60079-0<br>EN/IEC 60079-31       |
| <b>Directives</b>                            | 2014/34/EU - ATEX directive             |
| <b>Product certifications</b>                | INERIS 04ATEX0058<br>IEC-Ex INE 17.0019 |
| <b>Marking</b>                               | II2 D-Ex tb IIIC T85°C Db IP66          |
| <b>Protective treatment</b>                  | TC                                      |
| <b>Ambient air temperature for operation</b> | -20...60 °C                             |
| <b>Operating position</b>                    | Any position                            |

## Packing Units

|                                     |         |
|-------------------------------------|---------|
| <b>Unit Type of Package 1</b>       | PCE     |
| <b>Number of Units in Package 1</b> | 1       |
| <b>Package 1 Height</b>             | 15.4 cm |
| <b>Package 1 Width</b>              | 15.5 cm |
| <b>Package 1 Length</b>             | 15.5 cm |
| <b>Package 1 Weight</b>             | 3.9 kg  |

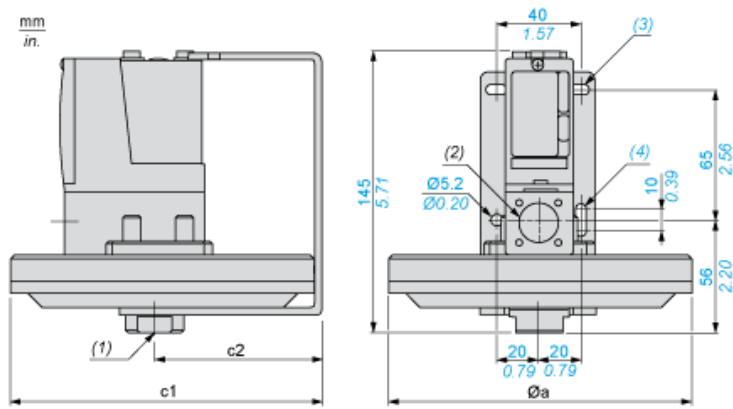
## Offer Sustainability

|                                   |   |
|-----------------------------------|---|
| <b>Sustainable offer status</b>   | Green Premium product   |
| <b>REACH Regulation</b>           | <a href="#">REACH Declaration</a>   |
| <b>EU RoHS Directive</b>          | Pro-active compliance (Product out of EU RoHS legal scope)  |
| <b>Mercury free</b>               | Yes   |
| <b>RoHS exemption information</b> | <a href="#">Yes</a>   |
| <b>Environmental Disclosure</b>   | <a href="#">Product Environmental Profile</a>   |
| <b>Circularity Profile</b>        | No need of specific recycling operations  |
| <b>California proposition 65</b>  | WARNING: This product can expose you to chemicals including: Diisononyl phthalate (DINP), which is known to the State of California to cause cancer, and Di-isodecyl phthalate (DIDP), which is known to the State of California to cause birth defects or other reproductive harm. For more information go to <a href="http://www.P65Warnings.ca.gov">www.P65Warnings.ca.gov</a> |

## Contractual warranty

|                 |           |
|-----------------|-----------|
| <b>Warranty</b> | 18 months |
|-----------------|-----------|

Dimensions

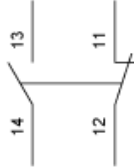


- $\varnothing a =$  150  
 $c_1 =$  155.5  
 $c_2 =$  80.5  
 (1) 1 fluid entry, tapped G1/4 (BSP female)  
 (2) 1 electrical connections entry, tapped M20 x 1.5  
 (3) 2 elongated holes  $\varnothing 10.2 \times 5.2$   
 (4) 1 elongated hole  $\varnothing 15.2 \times 5.2$

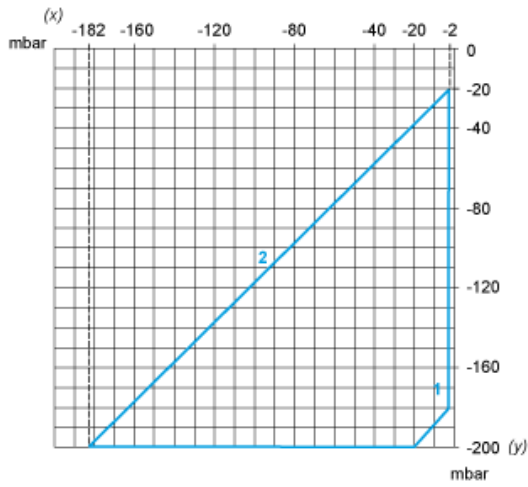
**Wiring Diagram**

---

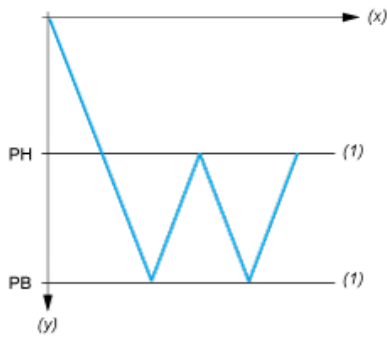
**Terminal Model**



**Operating Curves**



- (x) Rising pressure
- (y) Falling pressure
- 1 : Maximum differential
- 2 : Minimum differential



- (x) Time
- (y) Vacuum
- (1) Adjustable value
- PH : High point
- PB : Below point

**Recommended replacement(s)**