

SSF23 SERIES

M16 INTERNAL FITTING SWITCH



The SSF23 series is a compact vertical internally mounted device. Mounting is in the top or bottom of the tank from the inside, so requires access to the inside of the tank.

These are manufactured in 316 grade Stainless steel.

The switch action may be reversed by removing the float, inverting and then refitting it to the stem.

Available with either flying leads or M12 connection.

Features

- Internal fitting via M16 thread
- Stainless steel 316
- Miniature design
- Temperature up to 120°C
- User configurable N/O (make on rise) or N/C (make on fall)

SPECIFICATIONS

Technical

Mounting Style	Internal
Mounting Thread	M16
Float & Stem Material	316 grade SS
Maximum Temperature	120°C
Maximum Pressure	10 bar
Float SG	0.7
Minimum Fluid SG	0.8
Cable Length - Standard	100cm/M12 connection
Cable Size	17/0.10 - AWG22
Cable Conductor Material	Tinned copper
Cable Sheath Material	XLPE
Cable Temperature Rating	125°C
Sealing Gasket	Silicone
Tightening Torque for Fixing Nut	2.0kg/cm

Electrical

Contact Form		N/O (N/C)
Switching Power Max	VA	50
Switching Voltage AC Max	V	300
Switching Voltage DC Max	V	300
Switching Current Max	A	0.5

All ratings are for resistive load only.



STANDARD PARTS

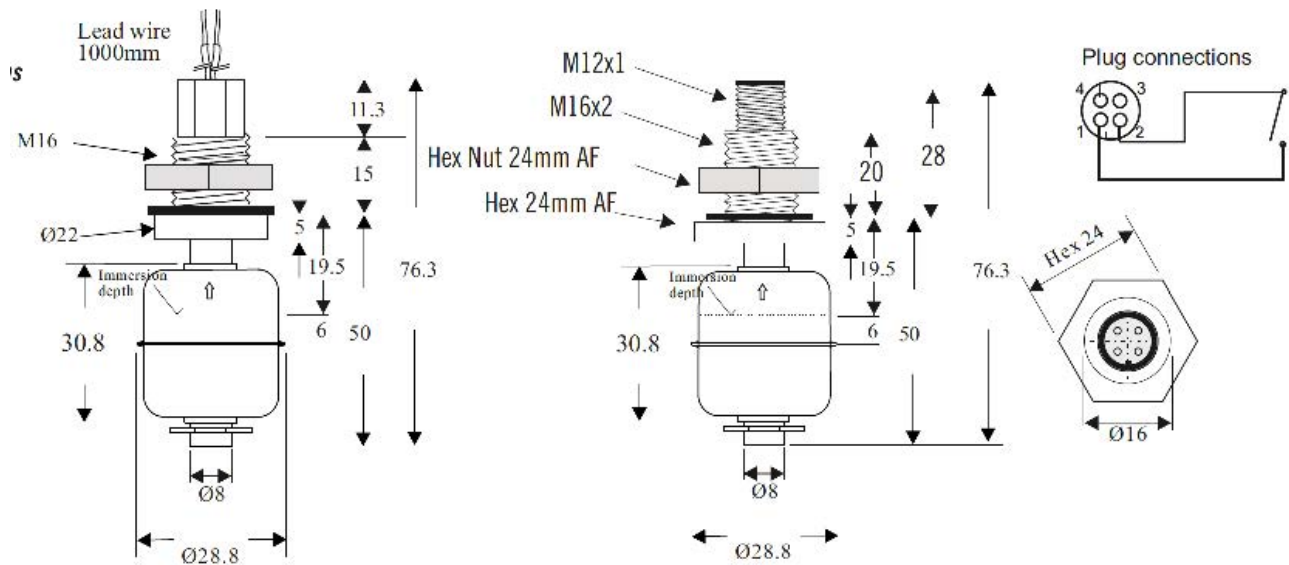
	Material	Max Power	Leadouts
SSF23X100	SS 316	50VA	100cm XLPE 17/0.1
SSF23XPM12	SS 316	50VA	M12 connection

Custom versions can be made for particular applications. Please contact Sensata with your requirements.



DIMENSIONS

All dimensions are in millimeters.



Made in the UK

Page 2

Datasheets provided by Sensata Technologies, Inc., its subsidiaries and/or affiliates ("Sensata") are solely intended to assist third parties ("Buyers") who are developing systems that incorporate Sensata products (also referred to herein as "components"). Buyer understands and agrees that Buyer remains responsible for using its independent analysis, valuation, and judgment in designing Buyer's systems and products. Sensata datasheets have been created using standard laboratory conditions and engineering practices. Sensata has not conducted any testing other than that specifically described in the published documentation for a particular datasheet. Sensata may make corrections, enhancements, improvements, and other changes to its datasheets or components without notice.

Buyers are authorized to use Sensata datasheets with the Sensata component(s) identified in each particular datasheet. HOWEVER, NO OTHER LICENSE, EXPRESS OR IMPLIED, BY ESTOPPEL OR OTHERWISE TO ANY OTHER SENSATA INTELLECTUAL PROPERTY RIGHT, AND NO LICENSE TO ANY THIRD PARTY TECHNOLOGY OR INTELLECTUAL PROPERTY RIGHT, IS GRANTED HEREIN. SENSATA DATASHEETS ARE PROVIDED "AS IS". SENSATA MAKES NO WARRANTIES OR REPRESENTATIONS WITH REGARD TO THE DATASHEETS OR USE OF THE DATASHEETS, EXPRESS, IMPLIED, OR STATUTORY, INCLUDING ACCURACY OR COMPLETENESS. SENSATA DISCLAIMS ANY WARRANTY OF TITLE AND ANY IMPLIED WARRANTIES OF MERCHANTABILITY, FITNESS FOR A PARTICULAR PURPOSE, QUIET ENJOYMENT, QUIET POSSESSION, AND NON-INFRINGEMENT OF ANY THIRD PARTY INTELLECTUAL PROPERTY RIGHTS WITH REGARD TO SENSATA DATASHEETS OR USE THEREOF.

All products are sold subject to Sensata's terms and conditions of sale supplied at www.sensata.com. SENSATA ASSUMES NO LIABILITY FOR APPLICATIONS ASSISTANCE OR THE DESIGN OF BUYERS' PRODUCTS. BUYER ACKNOWLEDGES AND AGREES THAT IT IS SOLELY RESPONSIBLE FOR COMPLIANCE WITH ALL LEGAL, REGULATORY, AND SAFETY-RELATED REQUIREMENTS CONCERNING ITS PRODUCTS, AND ANY USE OF SENSATA COMPONENTS IN ITS APPLICATIONS, NOTWITHSTANDING ANY APPLICATIONS-RELATED INFORMATION OR SUPPORT THAT MAY BE PROVIDED BY SENSATA.

Mailing Address: Sensata Technologies, Inc., 529 Pleasant Street, Attleboro, MA 02703, USA

CONTACT US

+44 (0)1202 897969
support@sensata.com
Cynergy3 Components Ltd.
7 Cobham Road,
Ferndown Industrial Estate,
Wimborne, Dorset,
BH21 7PE, United Kingdom