

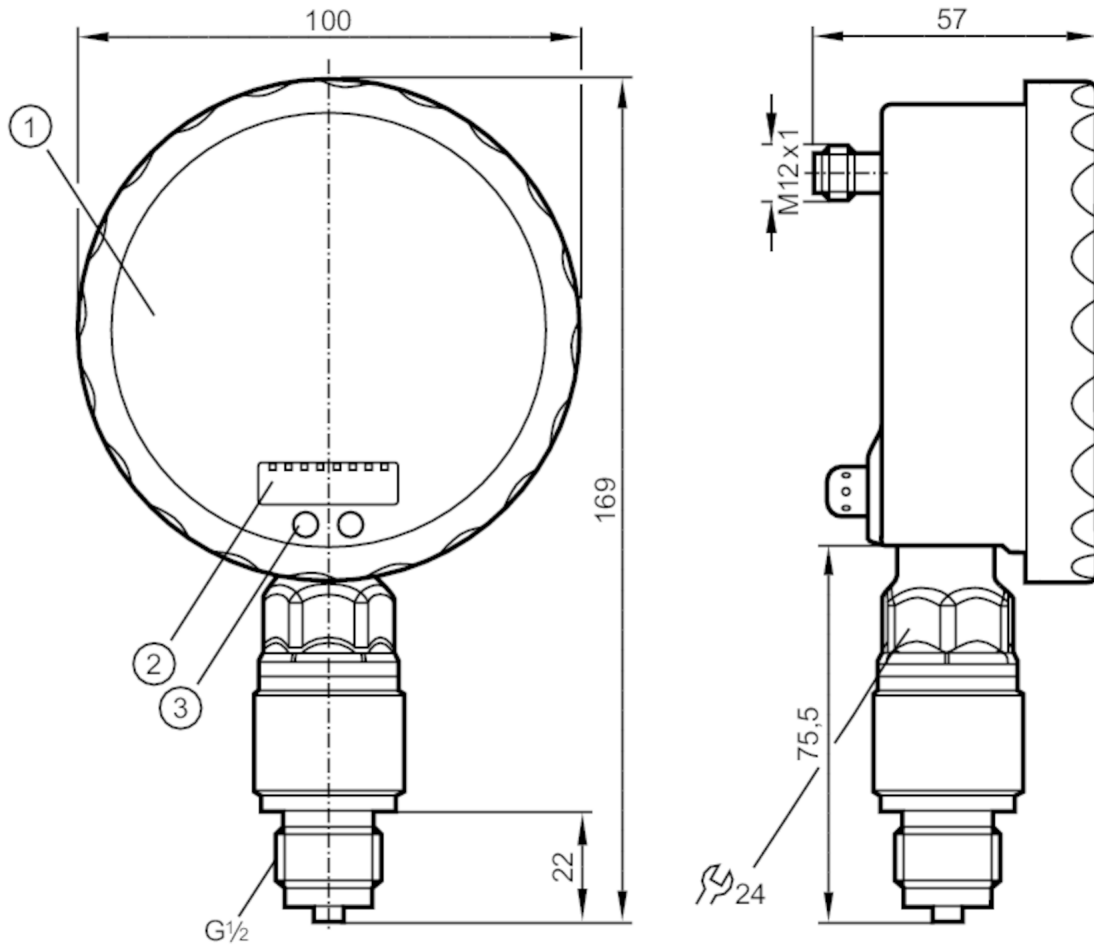
PG2453



Pressure sensor with analogue display

PG-025-REB12-MFRKG/US/ /P

When selecting an alternative article and accessories please note that technical data may differ!



- 1 analogue display
- 2 alphanumeric display 4-digit
- 3 sensor field (programming button)



Product characteristics

Number of inputs and outputs	Number of digital outputs: 1; Number of analogue outputs: 1	
Measuring range	-1...25 bar	-14.5...362.5 psi
Process connection	threaded connection G 1/2 external thread	

Application

Special feature	Gold-plated contacts	
Application	for industrial applications	
Media	liquids and gases	
Medium temperature [°C]	-25...80	
Min. bursting pressure	350 bar	5070 psi
Pressure rating	100 bar	1450 psi
Type of pressure	relative pressure; vacuum	

Electrical data

Operating voltage [V]	18...32 DC
-----------------------	------------



Pressure sensor with analogue display

PG-025-REB12-MFRKG/US/ /P

Current consumption	[mA]	< 70; (24 V)
Min. insulation resistance	[MΩ]	100; (500 V DC)
Protection class		III
Reverse polarity protection		yes
Power-on delay time	[s]	6
Integrated watchdog		yes

Inputs / outputs

Number of inputs and outputs	Number of digital outputs: 1; Number of analogue outputs: 1
------------------------------	---

Outputs

Total number of outputs		2
Output signal		switching signal; analogue signal; (configurable)
Electrical design		PNP/NPN
Number of digital outputs		1
Output function		normally open / normally closed; (parameterisable)
Max. voltage drop switching output DC	[V]	2
Permanent current rating of switching output DC	[mA]	250
Switching frequency DC	[Hz]	75
Number of analogue outputs		1
Analogue current output	[mA]	4...20, invertible; (scalable)
Max. load	[Ω]	(U _b - 10 V) / 20 mA
Short-circuit protection		yes
Type of short-circuit protection		pulsed
Overload protection		yes

Measuring/setting range

Measuring range	-1...25 bar	-14.5...362.5 psi
Set point SP	-0.9...40 bar	-13...580 psi
Reset point rP	-1...39.9 bar	-14.5...578.5 psi
Analogue start point	-1...33.75 bar	-14.5...489.5 psi
Analogue end point	5.25...40 bar	76...580 psi
In steps of	0.05 bar	0.5 psi

Accuracy / deviations

Switch point accuracy	[% of the span]	< ± 0,5; (Turn down 1:1)
Repeatability	[% of the span]	< ± 0,1; (with temperature fluctuations < 10 K; Turn down 1:1)
Characteristics deviation	[% of the span]	< ± 0,25 (BFSL) / < ± 0,5 (LS); (Turn down 1:1; BFSL = Best Fit Straight Line)
Hysteresis deviation	[% of the span]	< ± 0,25; (Turn down 1:1)
Long-term stability	[% of the span]	< ± 0,1; (Turn down 1:1; per 6 months)
Temperature coefficient zero point	[% of the span / 10 K]	< ± 0,2; (0...70 °C)

PG2453



Pressure sensor with analogue display

PG-025-REB12-MFRKG/US/ /P

Temperature coefficient span [% of the span / 10 K]	< ± 0,2; (0...70 °C)
--	----------------------

Response times

Response time [ms]	< 9
Damping process value dAP [s]	0.01...30
Damping for the analogue output dAA [s]	0.01...30
Step response time analogue output [ms]	28

Operating conditions

Ambient temperature [°C]	-20...80
Storage temperature [°C]	-40...100
Protection	IP 67; IP 69K

Tests / approvals

EMC	EN 61000-4-2 ESD	4 kV CD / 8 kV AD
	EN 61000-4-3 HF radiated	10 V/m
	EN 61000-4-4 Burst	2 kV
	EN 61000-4-5 Surge	0,5/1 kV
	EN 61000-4-6 HF conducted	10 V
	Shock resistance	DIN IEC 68-2-27
Vibration resistance	DIN IEC 68-2-6	20 g (10...2000 Hz)
MTTF [years]		103
Pressure Equipment Directive	Sound engineering practice; can be used for group 2 fluids; group 1 fluids on request	

Mechanical data

Weight [g]	563.9
Materials	stainless steel (1.4404 / 316L); PA; FKM; PTFE; viewing glass: laminated safety glass 4 mm
Materials (wetted parts)	Al2O3 (ceramics); FKM; stainless steel (1.4404 / 316L)
Min. pressure cycles	100 million
Process connection	threaded connection G 1/2 external thread
Restrictor element integrated	no (can be retrofitted)

Displays / operating elements

Display	Display unit	2 x LED, green
	switching status	LED, yellow
	switch points	LED ring, red
	function display	alphanumeric display, red 4-digit
	measured values	analogue display, 0...350° rotatable, pointer not visible when unit disconnected
	measured values	alphanumeric display, red 4-digit
With scale		yes
Extended display range (max.)	40 bar	580 psi

Remarks

Remarks	switch point accuracy in the extended display range: 1.5 % of the span
Pack quantity	1 pcs.

PG2453



Pressure sensor with analogue display

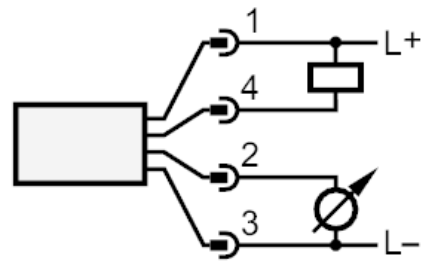
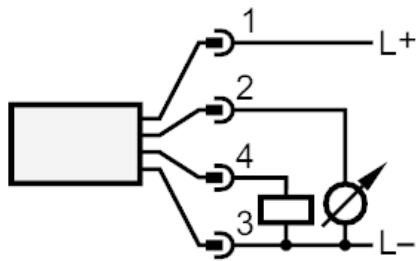
PG-025-REB12-MFRKG/US/ /P

Electrical connection

Connector: 1 x M12; coding: A; Contacts: gold-plated



Connection



OUT1
OUT2

switching output
analogue output