

# MPG306D ✓ ACTIVE

Alcoswitch | Alcoswitch MPG

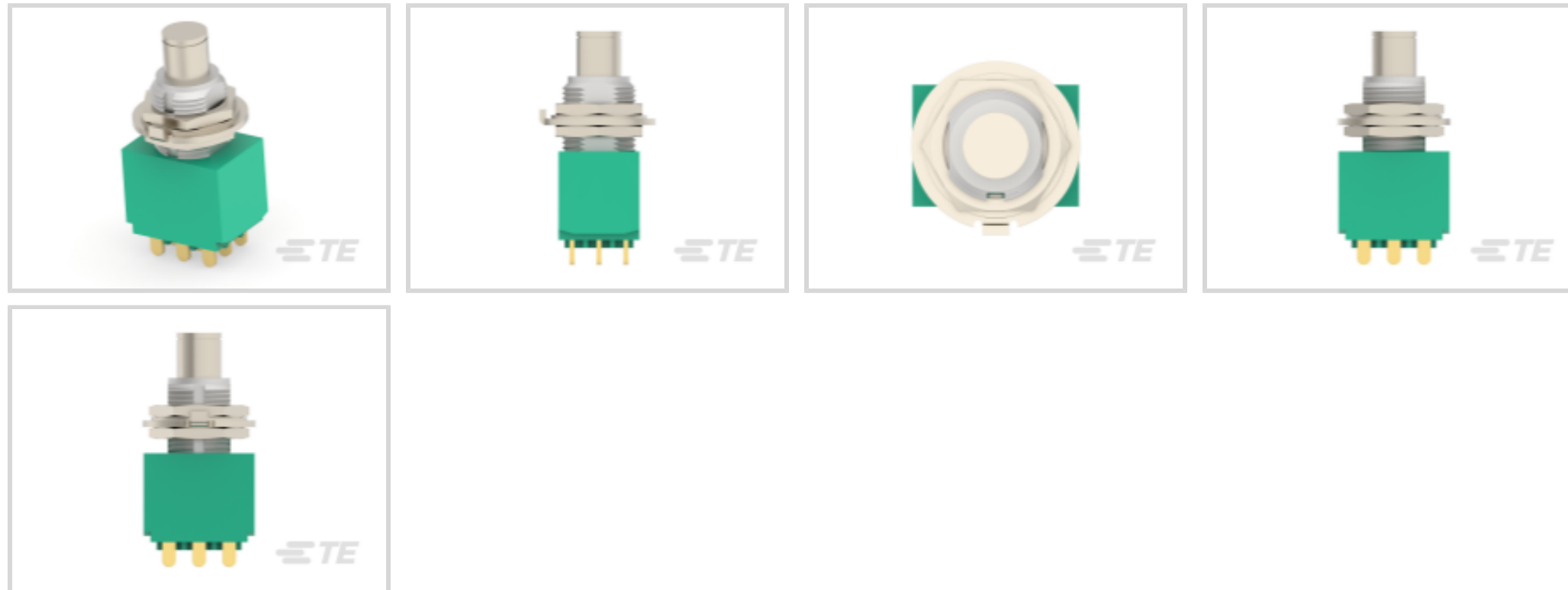
TE Internal #: 5-1437567-5

Push Button Switches, Three Pole - Double Throw Configuration (Pole-Throw), Switch, Single Actuator, Extended Actuator Profile, Alcoswitch MPG

[View on TE.com >](#)



Switches > Push Button Switches



Configuration (Pole-Throw): **Three Pole - Double Throw**

Push Button Switch Product Type: **Switch**

Number of Actuators: **Single**

Actuator Profile: **Extended**

Bushing Style: **Threaded**

## Features

### Product Type Features

Switch Connection Type	Wire Lugs
Push Button Switch Product Type	Switch
Illuminated	Without
Actuator Style	Cap - Supplied

### Configuration Features

Configuration (Pole-Throw)	Three Pole - Double Throw
Number of Actuators	Single
Snap Action	Without
Support Bracket	Without
Switch Feedback Type	Non-Tactile
Operating Function	Push-On/Push-Off

### Electrical Characteristics

Operating Voltage Range	125 VAC, 250 VAC
-------------------------	------------------

### Body Features



Actuator Force	400 – 2000 g[14.11 – 70.54 oz]
Case Material	Thermoset
Actuator Material	Phenol Resin
Product Orientation	Vertical
Actuator Profile	Extended
Bushing Style	Threaded
Bushing Thread Size	15/32
Actuator Color	Natural

### Contact Features

Contact Base Material	Silver Clad Copper
Contact Current Rating	6 A
Switch Contact Plating Material	Silver Clad with Gold Flash

### Mechanical Attachment

Thread Size	15/32-32 UNS-2A
-------------	-----------------

### Housing Features

Low Profile	No
Process Sealed	No

### Dimensions

Actuator Length	8 mm[.315 in]
Cap Diameter	8.99 mm[.354 in]

### Usage Conditions

Operating Temperature Range	-20 – 85 °C
-----------------------------	-------------

### Packaging Features

Packaging Method	Bulk
------------------	------

## Product Compliance

[For compliance documentation, visit the product page on TE.com>](#)

EU RoHS Directive 2011/65/EU	Compliant with Exemptions
EU ELV Directive 2000/53/EC	Compliant with Exemptions
China RoHS 2 Directive MIIT Order No 32, 2016	Restricted Materials Above Threshold
EU REACH Regulation (EC) No. 1907/2006	Current ECHA Candidate List: JUNE 2023 (235)



Candidate List Declared Against: JUNE 2022 (224)

SVHC > Threshold:

Pb (3.7% in component)

**Article Safe Usage Statements:**

Do not eat, drink or smoke when using this product. Wash thoroughly after handling. Recycle if possible and dispose of the article by following all applicable governmental regulations relevant to your geographic location.

Halogen Content

Not Low Halogen - contains Br or Cl > 900 ppm.

Solder Process Capability

Wave solder capable to 240°C

**Product Compliance Disclaimer**

This information is provided based on reasonable inquiry of our suppliers and represents our current actual knowledge based on the information they provided. This information is subject to change. The part numbers that TE has identified as EU RoHS compliant have a maximum concentration of 0.1% by weight in homogenous materials for lead, hexavalent chromium, mercury, PBB, PBDE, DBP, BBP, DEHP, DIBP, and 0.01% for cadmium, or qualify for an exemption to these limits as defined in the Annexes of Directive 2011/65/EU (RoHS2). Finished electrical and electronic equipment products will be CE marked as required by Directive 2011/65/EU. Components may not be CE marked. Additionally, the part numbers that TE has identified as EU ELV compliant have a maximum concentration of 0.1% by weight in homogenous materials for lead, hexavalent chromium, and mercury, and 0.01% for cadmium, or qualify for an exemption to these limits as defined in the Annexes of Directive 2000/53/EC (ELV). Regarding the REACH Regulation, the information TE provides on SVHC in articles for this part number is based on the latest European Chemicals Agency (ECHA) 'Guidance on requirements for substances in articles' posted at this URL: <https://echa.europa.eu/guidance-documents/guidance-on-reach>

## Compatible Parts



TE Part # 4-1437567-9  
MPG106D=(MSPG) SWITCH PUSHBUTT




TE Part # 3-1437567-3  
MPA206R=SW P/B MOM DPDT



TE Part # 4-1437567-3  
MPE106F=SWITCH PUSH BUTTON WAT



TE Part # 2-1437567-8  
MPA106D=SW P/B ON/OFF SPDT



TE Part # 2-1437567-9  
MPA106F=SWITCH P/B MOM SPDT



TE Part # 3-1437567-1  
MPA206N=SW P/B ON/OFF DPDT



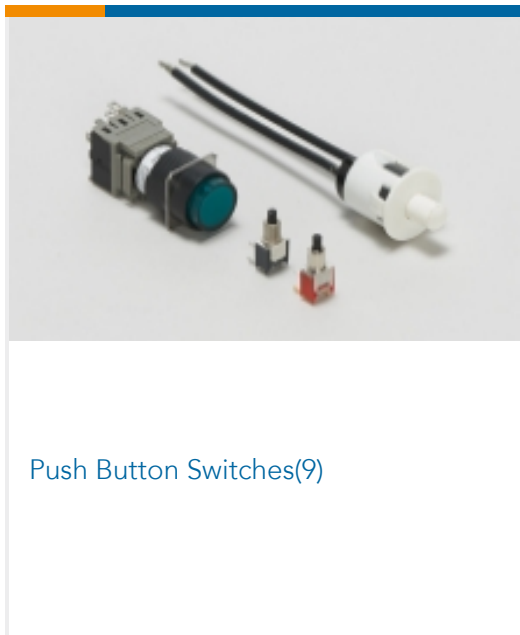
TE Part # 3-1437567-6  
MPA306F=SW P/B MOM 3PDT



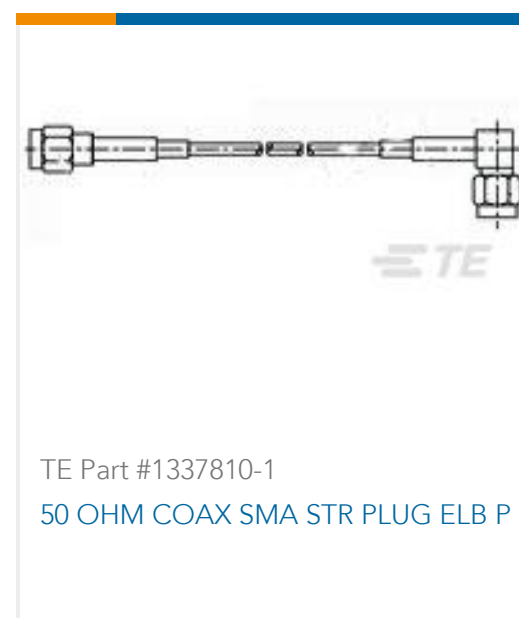
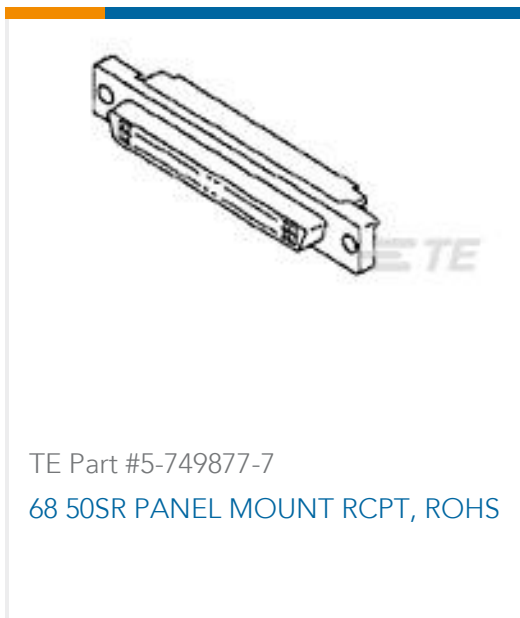
TE Part # 4-1437567-5  
MPE206R=(MSPE) SW P/B WATERPRO



### Also in the Series | Alcoswitch MPG



### Customers Also Bought





## Documents

### Product Drawings

[MPG306D=\(MSPG\) SW PUSHBUTTON](#)

English

---

### CAD Files

[3D PDF](#)

3D

Customer View Model

[ENG\\_CVM\\_CVM\\_5-1437567-5\\_D.2d\\_dxf.zip](#)

English

Customer View Model

[ENG\\_CVM\\_CVM\\_5-1437567-5\\_D.3d\\_igs.zip](#)

English

Customer View Model

[ENG\\_CVM\\_CVM\\_5-1437567-5\\_D.3d\\_stp.zip](#)

English

By downloading the CAD file I accept and agree to the [Terms and Conditions](#) of use.

---

### Datasheets & Catalog Pages

[2-1773458-6\\_GREEN\\_SERIES\\_SWITCHES](#)

English