



QSFP-DD

TE Internal #: 2342935-1

QSFP-DD, Signal, 2 Ports, Port Matrix Configuration 1 x 2

[View on TE.com >](#)

Connectors > Pluggable IO Connectors & Cages



Sealable: **No**

Number of Ports: **2**

Port Matrix Configuration: **1 x 2**

Circuit Application: **Signal**

Included Lightpipe: **No**

Features

Product Type Features

Thermal Accessory Type Included	Heat Sink
Cage Type	Ganged
Sealable	No
Form Factor	QSFP-DD

Configuration Features

Number of Rear EONs per Port Column	1
Number of Ports	2
Port Matrix Configuration	1 x 2

Body Features

Heat Sink Finish	Anodized Black
Heat Sink Height Class	.165 in
Heat Sink Style	PCI

Housing Features

Cage Material	Stainless Steel
---------------	-----------------



Operation/Application

Circuit Application	Signal
---------------------	--------

Other

Included Lightpipe	No
--------------------	----

Product Compliance

[For compliance documentation, visit the product page on TE.com>](#)

EU RoHS Directive 2011/65/EU	Compliant
EU ELV Directive 2000/53/EC	Compliant
China RoHS 2 Directive MIIT Order No 32, 2016	No Restricted Materials Above Threshold
EU REACH Regulation (EC) No. 1907/2006	Current ECHA Candidate List: JUNE 2023 (235) Candidate List Declared Against: JUNE 2023 (235) Does not contain REACH SVHC
Halogen Content	Low Halogen - Br, Cl, F, I < 900 ppm per homogenous material. Also BFR/CFR/PVC Free
Solder Process Capability	Not reviewed for solder process capability

Product Compliance Disclaimer

This information is provided based on reasonable inquiry of our suppliers and represents our current actual knowledge based on the information they provided. This information is subject to change. The part numbers that TE has identified as EU RoHS compliant have a maximum concentration of 0.1% by weight in homogenous materials for lead, hexavalent chromium, mercury, PBB, PBDE, DBP, BBP, DEHP, DIBP, and 0.01% for cadmium, or qualify for an exemption to these limits as defined in the Annexes of Directive 2011/65/EU (RoHS2). Finished electrical and electronic equipment products will be CE marked as required by Directive 2011/65/EU. Components may not be CE marked. Additionally, the part numbers that TE has identified as EU ELV compliant have a maximum concentration of 0.1% by weight in homogenous materials for lead, hexavalent chromium, and mercury, and 0.01% for cadmium, or qualify for an exemption to these limits as defined in the Annexes of Directive 2000/53/EC (ELV). Regarding the REACH Regulation, the information TE provides on SVHC in articles for this part number is based on the latest European Chemicals Agency (ECHA) 'Guidance on requirements for substances in articles' posted at this URL: <https://echa.europa.eu/guidance-documents/guidance-on-reach>

Compatible Parts



TE Part # 2-2185264-3
ASSY SEATING TOOL, QSFP DD 1X2



TE Part # 2323765-1
DD-DD, 32AWG 2-8PR, 0.5M



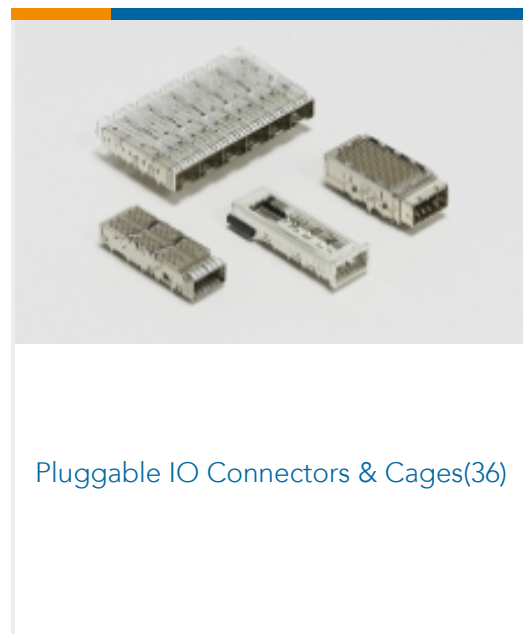
TE Part # 2323765-2
DD-DD, 32AWG 2-8PR, 1.0M



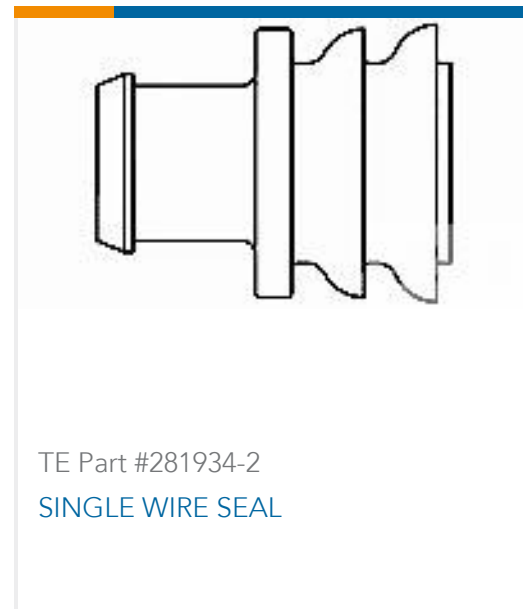
TE Part # 2323765-3
DD-DD, 32AWG 2-8PR, 1.5M



Also in the Series | QSFP-DD



Customers Also Bought



Documents

Product Drawings

QSFP-DD 1X2, STANDARD, W/ EXTRUDED HS

English

CAD Files

3D PDF

3D

Customer View Model

[ENG_CVM_CVM_2342935-1_1.2d_dxf.zip](#)

English

Customer View Model

[ENG_CVM_CVM_2342935-1_1.3d_igs.zip](#)

English

Customer View Model

[ENG_CVM_CVM_2342935-1_1.3d_stp.zip](#)

English

By downloading the CAD file I accept and agree to the [Terms and Conditions](#) of use.

Datasheets & Catalog Pages

[QSFP-DD Connectors and Cable Assemblies Portfolio Overview \(English\)](#)

English

[QSFP-DD Connectors and Cable Assemblies Portfolio Overview \(Chinese\)](#)

Product Specifications

[Application Specification](#)

English