



GNS1559MPF

Asset Tracking External Antenna Mini GNSS

The Laird Connectivity GNS1559MPF or Mini GNSS is a rugged, high performance, and cost-effective solution for most GNSS or asset tracking applications. The small form factor makes it easy to install on or in vehicles or buildings where global navigation is required. It is designed to withstand impact as well as water and dust intrusion (IP67 rated). The antenna can be configured with different cable types, in varying lengths and with various connector types. Laird Connectivity has a full line of high performance, cost effective GPS/GNSS antennas for any telematics or GPS/GNSS application.

FEATURES AND BENEFITS

- High performance in a small form factor
- IP67 rated for use in highly demanding environments and operating conditions
- Rugged impact resistant housing
- Various connector options

APPLICATIONS

- Fleet and logistics management
- General automotive aftermarket
- Highway construction
- Land Surveying and management
- Asset visibility and tracking
- Warehouse management

ELECTRICAL SPECIFICATION

Antenna Model	GNS1559MPF		
Band	BEIDOU	GPS	GLONASS
Frequency of Operation, MHz	1559.052 - 1563.144	1574.42 - 1576.42	1598.0625 - 1605.89
Peak Gain, Passive * (dBic)	4.6	2.6	4.4
Peak Gain, Active ** (dBic)	30.7	31.9	31.5
Average Efficiency %	70	55.0	59
VSWR **, Average	1.5	1.9	1.5
VSWR **, Max	2.1	2.4	1.8
Nominal Impedance (Ohms)	50		
Polarization	RHCP		
Input Max Power (dBm)	-10		
LNA Noise Figure @ room temperature, Max (dB)	≤ 2.5 @ 1575 MHz		
DC Voltage (Vdc)	2.5 - 7.0		
Current Consumption, Max @ room temp mA)	8.5 ± 3 @ 3.0V		
Out-of-band Signal Rejection Min @ room temp (dBc)	80 (@ 698- 960 MHz) 80 (@ 1428- 1511 MHz) 50 @ (1627- 1638 MHz) 80 @ (1710- 2700 MHz) 70 (@ 4900- 5800 MHz)		

Note:

* Passive GNSS is measured on 30.5 cm (1 ft) metal ground plane & 50 mm 0.16 ft) RG174 cable.

** Antenna is measured on 30.5 cm (1 ft) metal ground plane & 1m (3.28 ft) RG174 cable.

Antenna specification is subjected to change according to the ground plane size & cable length.

MECHANICAL SPECIFICATIONS

Dimensions - diameter x height - mm (inches)	48.4 x 14.9 (1.90 x 0.59)
Weight, kg (lbs)	0.08 kg (0.18 lbs)
Mounting Method	P-mount
Radome Material	PC, UL94-V0

ENVIRONMENTAL SPECIFICATION

Operating Environment	Indoor/Outdoor
Operating Temperature - °C (°F)	-35 to +75°C (-31 to +167°F)
Storage Temperature - °C (°F)	-40 to +85°C (-40 to +185°F)
Ingress Protection Rating	IP67
Material Substance Compliance	RoHS

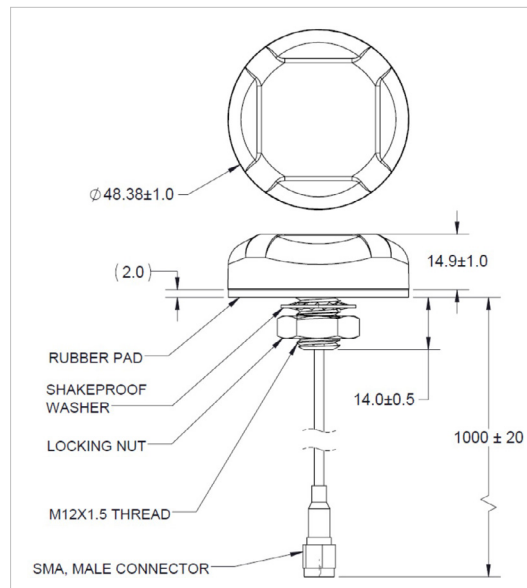
CONFIGURATION

PART NUMBER	CABLE LENGTH	CABLE TYPE	CONNECTOR	COLOR
GNS1559MPF-100SMAM	100 cm (3.28 ft.)	RG174	SMA- male	Black

PACKAGING INFORMATION

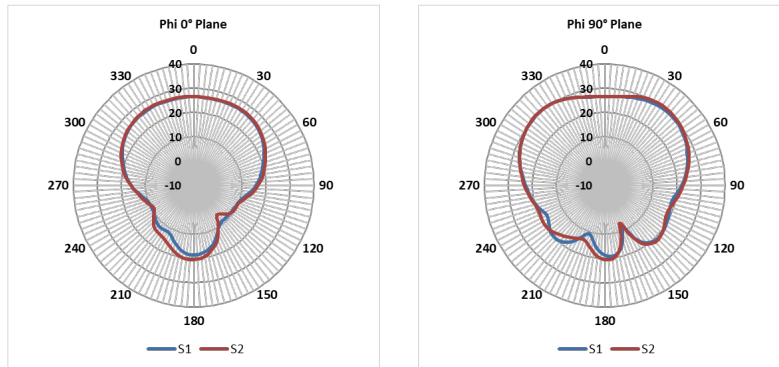
PACKAGED DIMENSIONS	MASTER CARTON	AIR PALLET	OCEAN PALLET
Number of Antennas	27	1296	1620
Height- mm (in.)	295 (11.6)	1350 (53.15)	1650 (64.96)
Length- mm (in.)	260 (10.2)	1200 (47.24)	1200 (47.24)
Width- mm (in.)	260 (10.2)	800 (31.5)	800 (31.5)
Shipping Weight- kg (lb.)	3.3 (7.3)	173 (381)	213 (470)

MECHANICAL DRAWING

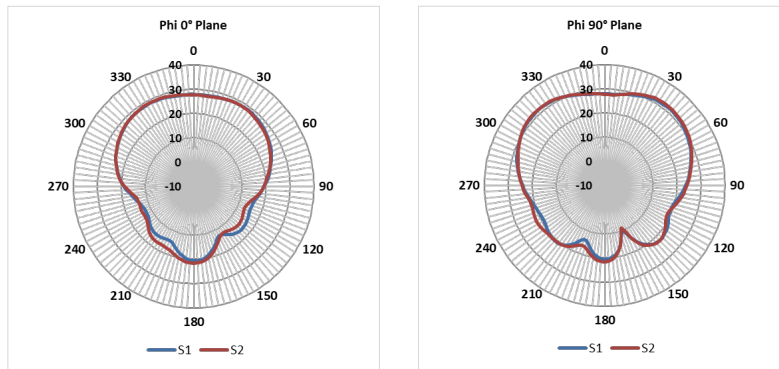


RADIATION PATTERNS

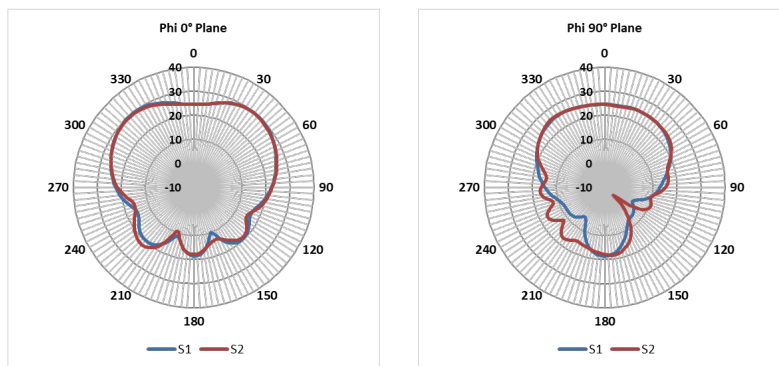
1561.098 MHz



1575.42 MHz



1605.89 MHz



TE TECHNICAL SUPPORT CENTER

USA:	+1 (800) 522-6752
Canada:	+1 (905) 475-6222
Mexico:	+52 (0) 55-1106-0800
Latin/S. America:	+54 (0) 11-4733-2200
Germany:	+49 (0) 6251-133-1999
UK:	+44 (0) 800-267666
France:	+33 (0) 1-3420-8686
Netherlands:	+31 (0) 73-6246-999
China:	+86 (0) 400-820-6015

te.com

TE Connectivity, TE Connectivity (logo) and Every Connection Counts are trademarks. All other logos, products and/or company names referred to herein might be trademarks of their respective owners.

The information given herein, including drawings, illustrations and schematics which are intended for illustration purposes only, is believed to be reliable. However, TE Connectivity makes no warranties as to its accuracy or completeness and disclaims any liability in connection with its use. TE Connectivity's obligations shall only be as set forth in TE Connectivity's Standard Terms and Conditions of Sale for this product and in no case will TE Connectivity be liable for any incidental, indirect or consequential damages arising out of the sale, resale, use or misuse of the product. Users of TE Connectivity products should make their own evaluation to determine the suitability of each such product for the specific application.

TE warrants to the original end user customer of its products that its products are free from defects in material and workmanship. Subject to conditions and limitations TE will, at its option, either repair or replace any part of its products that prove defective because of improper workmanship or materials. This limited warranty is in force for the useful lifetime of the original end product into which the TE product is installed. Useful lifetime of the original end product may vary but is not to exceed five (5) years from the original date of the end product purchase.

©2021 TE Connectivity. All Rights Reserved.

11/21 Original

