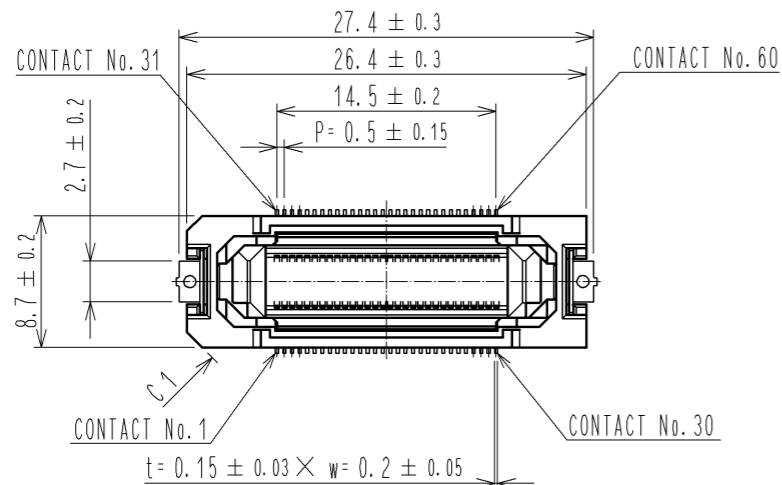
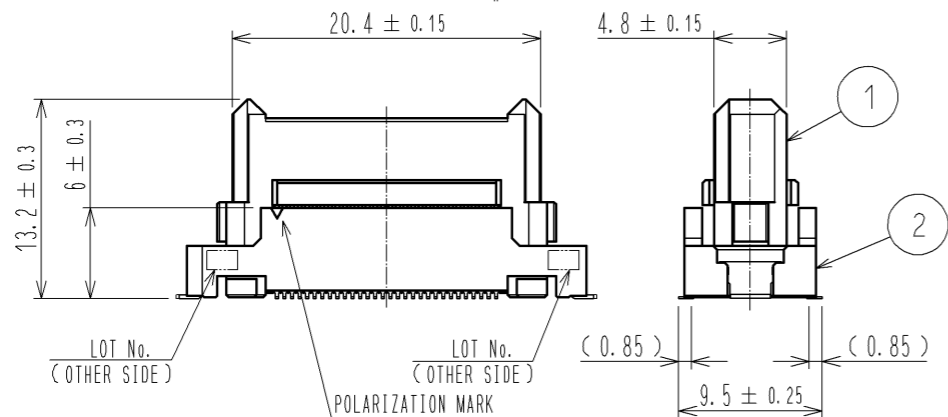
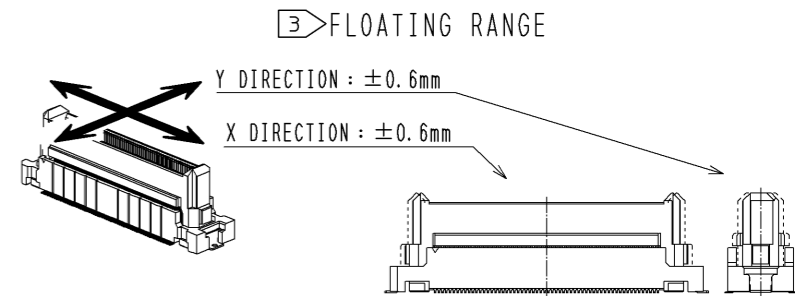
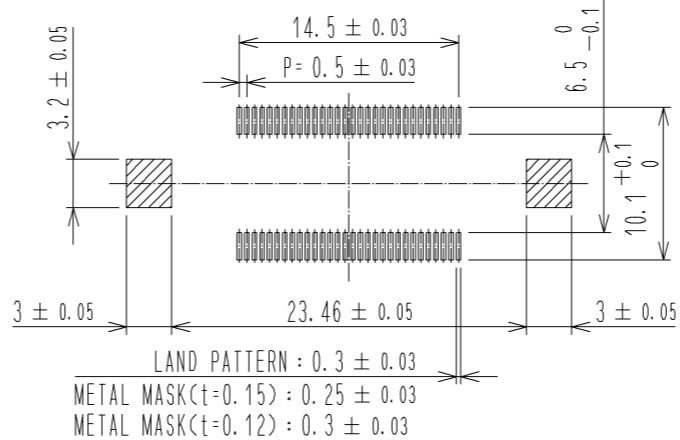


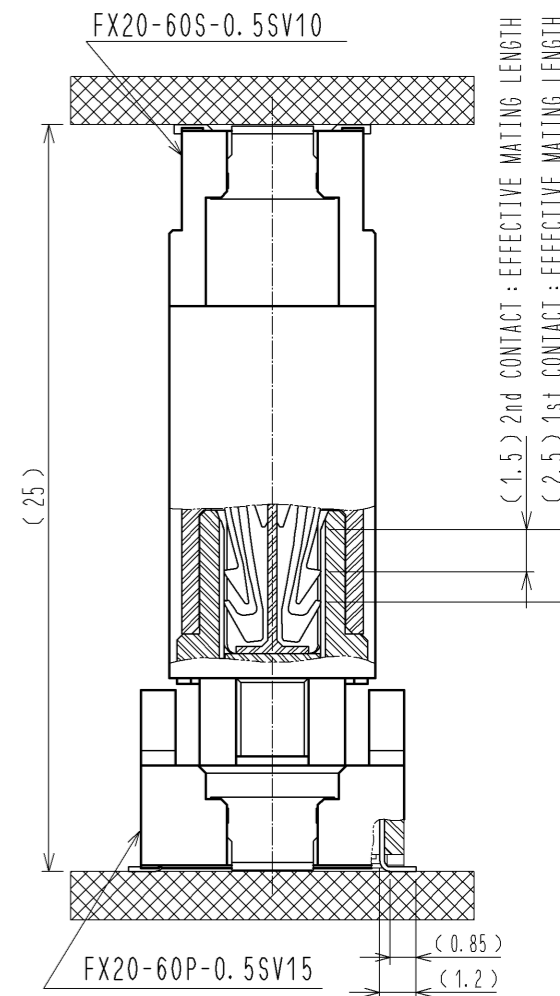
Feb.1.2024 Copyright 2024 HIROSE ELECTRIC CO., LTD. All Rights Reserved.
 In case of consideration for using Automotive equipment / device which demand high reliability, kindly contact our sales window correspondents.



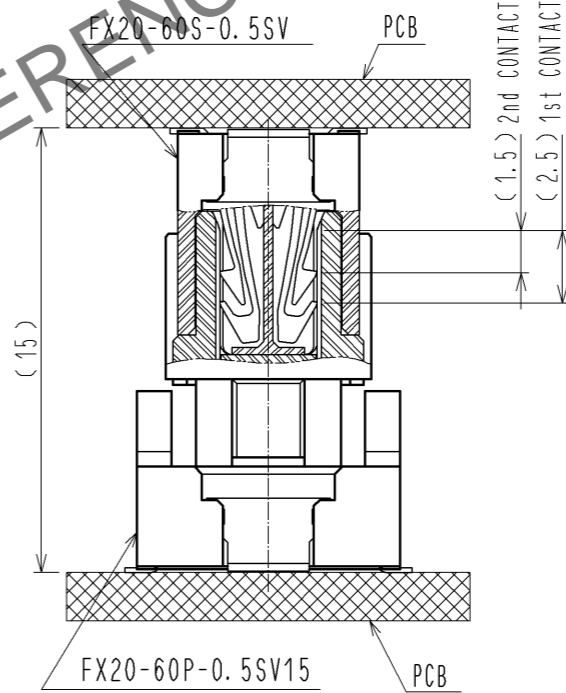
RECOMMENDED LAND PATTERN DIMENSION OF PCB



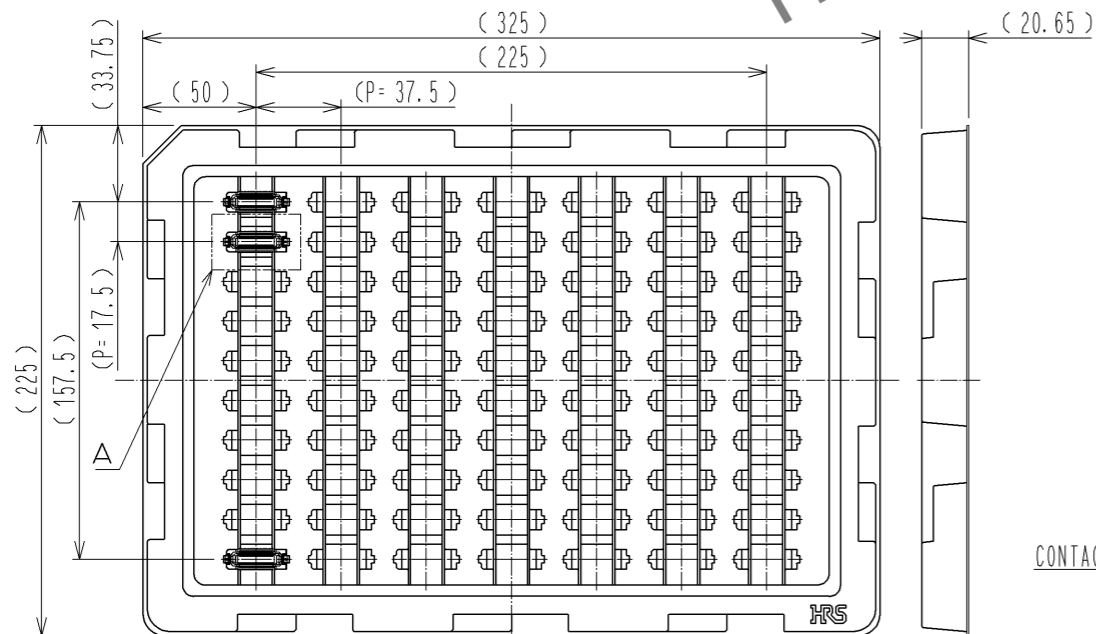
CROSS SECTION OF MATING(FREE)



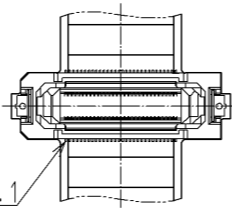
CROSS SECTION OF MATING(FREE)



2 DRAWING FOR PACKING(FREE)



A (1 : 1)



- NOTE 1 LEAD CO-PLANARITY IS 0.1mm MAX.
 2 THIS IS PACKAGED IN TRAY. (70pcs/TRAY)
 3 FLOATING RANGE OF THIS CONNECTOR IS ±0.6mm MAX.
 4 BLEMISH AND HIT MARK CAN BE OCCURED THROUGH OUT THE MANUFACTURING PROCESS WHICH DOESN' T AFFECT QUALITY LEVEL.
 5 PLEASE NOTE THAT EXCESSIVE WRENCHING FORCE COULD DAMAGE THIS CONNECTOR.
 PLEASE REFER TO THE GUIDELINE FOR DETAILED REGULATIONS OF THE MATING METHOD.
 6 THE DIMENSIONS IN PARENTHESES ARE FOR REFERENCES.

2	POLYAMIDE	BLACK	UL94V-0	4	BRASS	TIN-PLATING 1 μm		
1	POLYAMIDE	BLACK	UL94V-0	3	COPPER ALLOY	CONTACT AREA:GOLD 0.1 μm		
						LEAD AREA:GOLD 0.03 μm		
						UNDER PLATING:NICKEL 1 μm		
NO.	MATERIAL	FINISH	REMARKS	NO.	MATERIAL	FINISH . REMARKS		
UNITS	mm	SCALE	2 : 1	COUNT	DESCRIPTION OF REVISIONS	DESIGNED	CHECKED	DATE
APPROVED : HS. OKAWA		12.03.06		DRAWING NO.		EDC3-336320-00		
CHECKED : KI. HIROKAWA		12.03.06		PART NO.		FX20-60P-0.5SV15		
DESIGNED : KT. DOI		12.03.02		CODE NO.		CL570-1002-3-00		
DRAWN : KT. DOI		12.03.02						