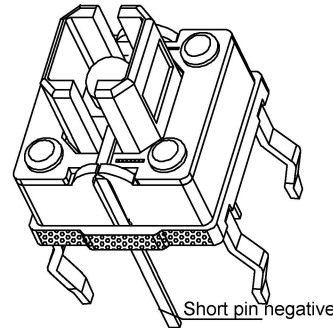
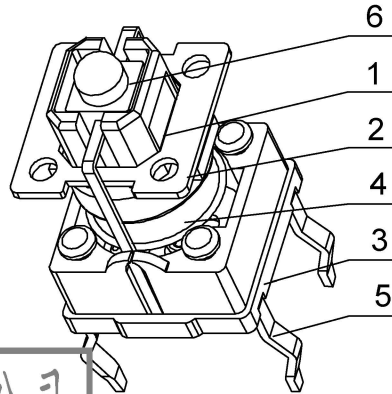
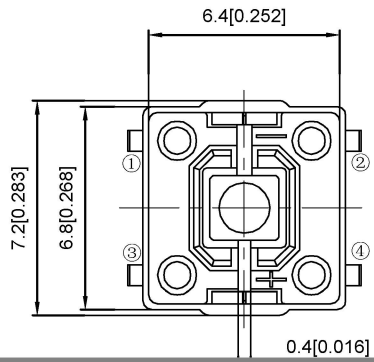


Led Color	Part No	VR	IF	Recommended Operating	IF	
					Nom	Max
White	TM-005-D0-01	DC5V	20mA	20mA	3.0V	3.6V
Red	TM-005-D0-02	DC5V	20mA	20mA	1.7V	2.4V
Blue	TM-005-D0-03	DC5V	20mA	20mA	3.0V	3.6V
Green	TM-005-D0-04	DC5V	20mA	20mA	1.9V	2.4V
Yellow	TM-005-D0-05	DC5V	20mA	20mA	1.9V	2.4V



ITEM	PART NAME	TER,NO	QTY	MATERIAL	FINISHING	REMARK
⑦	LED		1			
⑥	Hat		1	ABS		
⑤	Terminal	—	4	Brass (0.30t)	ag Plated	—
④	Contact	—	1	F.ag/SUS		—
③	Base	—	1	PA66		—
②	Cover	—	1	PET		—
①	Keystake	—	1	PA66		—

广东星坤科技股份有限公司

生教 日期

ΔX  
ΔX  
ΔX  
MARK

文件工程章

DESCRIPTION

REVISIONS

DATE

REVISED

APPROVED

UNSPECIFIED TOLERANCES

units: mm  
tolerance:  
X.X ±0.2mm  
X.XX ±0.1mm  
X.XXX ±0.05mm

DSND	DATE	SCALE: N/A	MODEL TYPE:
DWN	DATE	VIEW:	LED SWITCH
CHKD	DATE	UNIT: mm/in	PART NO.:
APPD	DATE	SIZE: A4	DWG NO.: TM-005-D0-X
XKB INDUSTRIAL PRECISION CO., LIMITED			WEIGHT: 1.0g
			SHEET: 1/1
			REVISION: A0