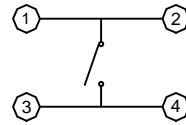
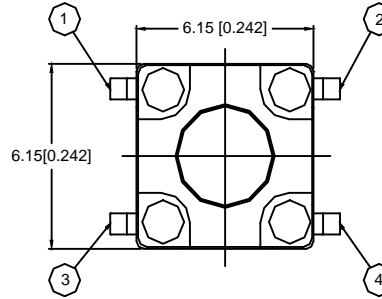


Code-X	H
A	4.3
B	4.5
C	5.0
D	5.5
E	6.0
F	6.5
G	7.0
H	7.5
I	8.0
J	8.5
K	9.0



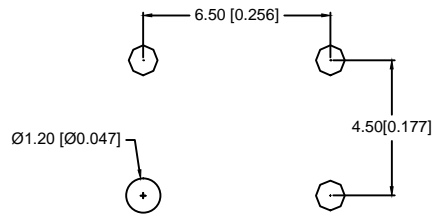
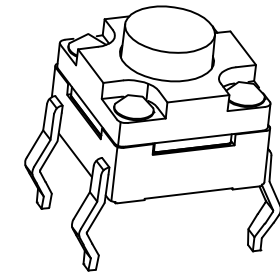
CIRCUIT DIAGRAM



SPECIFICATION

Contact Rating: 50mA, 12V DC
 Contact Resistance: 100mΩ max
 Insulation Resistance: 100mΩ min. 500V DC
 Dielectric Strength: 250V AC/1minute
 Travel: 0.30mm
 Operating Temp: -25°C ~ +80°C
 Storage Temp: -30°C ~ +80°C

PAPT NO	TC-FS66D-X-X
Operating Force	A:100gf B:160gf C:260gf
Height	Code-X



PCB.WELDING DRAWING

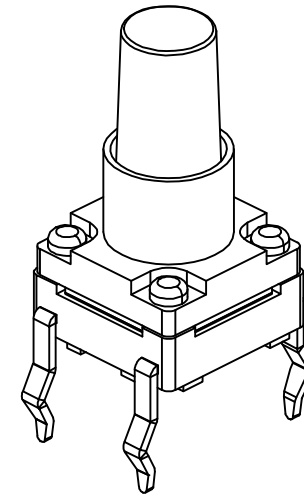
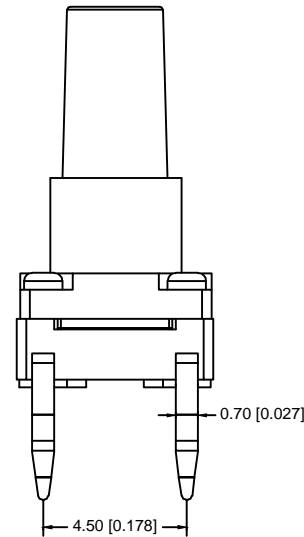
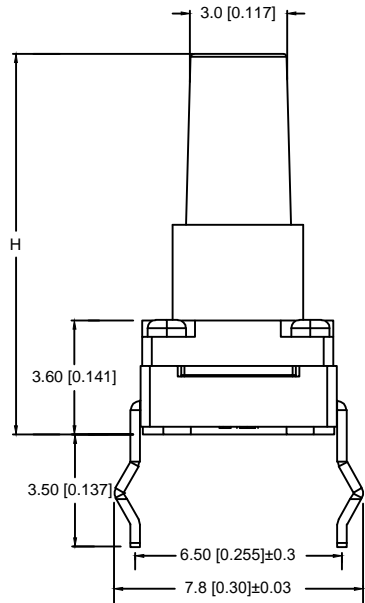
⑤	Terminal	—	4	Brass (0.30t)	Plating silvering	—
④	Contact	—	1	F.ag/Sus	Natural	—
③	Base	—	1	Ppa		—
②	Cover	—	1	Ppa		—
①	Keystake	—	1	Ppa		—
ITEM	PAPT NAMF	TER.NO	QTY	MATERIAL	FINISHING	REMARK



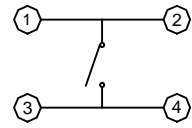
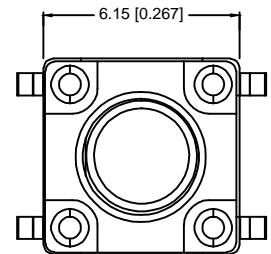
DSND		SCALE: N/A	MODEL TYPE: TACT SWITCH
DWN		VIEW:	PART NO.: TC-FS66D-X-X
CHKD		UNIT: mm/in	DWG NO.:
APPD		SIZE: A4	
		WEIGHT	SHEET
			1/1
		REVISION	A0

MARK	DESCRIPTION	DATE	REVISED	APPROVED	UNSPECIFIED TOLERANCES
	REVISIONS				
ΔX					ANGLAR ±5°
ΔX					L ≤ 4 ±0.2
ΔX					4 < L ≤ 16 ±0.3
					16 < L ≤ 63 ±0.4
					L > 63 ±0.5

Code-X	H
L	9.5
M	10.0
N	10.5
O	11.0
P	11.5
Q	12
R	12.5
S	13.0
T	13.5
U	14.0
V	15.0
W	15.5
X	16
Y	16.5
Z	17
18	18
19	19

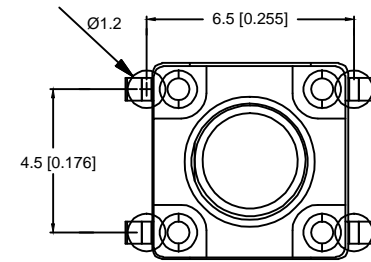


SPECIFICATION
 Contact Rating: 50mA, 12V DC
 Contact Resistance: 100mΩ max
 Insulation Resistance: 100mΩ min. 500V DC
 Dielectric Strength: 250V AC/1minute
 Travel: 0.30mm
 Operating Temp: -25°C~+80°C
 Storage Temp: -30°C~+80°C



CIRCUIT DIAGRAM

P.C.B LAYOUT



PAPT NO	TC-FS66D-X-X
Operating Force	A:100gf B:160gf C:260gf
Height	Code-X

ITEM	PAPT NAMF	TER.NO	QTY	MATERIAL	FINISHING	REMARK
⑤	Terminal	—	4	Brass (0.30t)	Plating silvering	—
④	Contact	—	1	F.ag/Sus	Natural	—
③	Base	—	1	Ppa	—	—
②	Cover	—	1	Ppa	—	—
①	Keystake	—	1	Ppa	—	—

MARK	DESCRIPTION	DATE	REVISED	APPROVED	UNSPECIFIED TOLERANCES
Δx					ANGLAR ±5°
Δx					L ≤ 4 ±0.2
Δx					4 < L ≤ 16 ±0.3
Δx					16 < L ≤ 63 ±0.4
MARK					L > 63 ±0.5

XKB INDUSTRIAL PRECISION CO., LIMITED

DSND	SCALE: N/A	MODEL TYPE: TACT SWITCH
DWN	VIEW:	PART NO.: TC-FS66D-X-X
CHKD	UNIT: mm/in	DWG NO.:
APPD	SIZE: A4	

WEIGHT	SHEET	REVISION
	1/1	A0