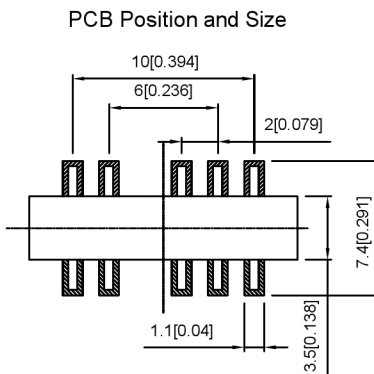
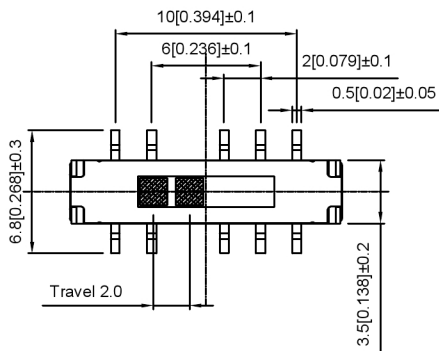
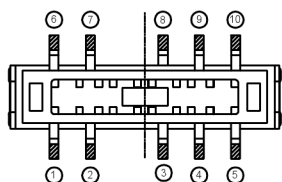


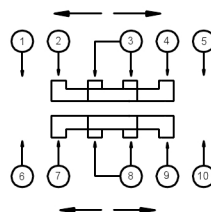
RATING	0.5A 12V DC
CIRCUIT	2P4T
CONTACT RESISTANCE	100m MAX
TRAVEL	2mm
OPERATING FORCE	200±100gf
OPERATING LIFE(cycles)	10 000



PAPT NO	L
SS-3456S-02-L1	2.0
SS-3456S-02-L2	3.0
SS-3456S-02-L3	4.0



The circuit principle diagram



ITEM	PAPT NAME	TER.NO	QTY	MATERIAL	FINISHING	REMARK
		—				
		—				
		—				
4	Terminal	—	4	Phosphor copper	ag Plated	
3	Base	—	1	LCP		
2	Cover	—	1	Sus	Natural	
1	Keystake	—	1	Pa66	Black	

广东星坤科技股份有限公司

日期  
文件工程章

文件工程章

REVISIONS	DATE	REVISED	APPROVED	UNSPECIFIED TOLERANCES
ANGLAR				±5°
L ≤ 4				±0.2
4 < L ≤ 16				±0.3
16 < L ≤ 63				±0.4
L > 63				±0.5

DSND  
DWN  
CHKD  
APPD

SCALE: N/A  
VIEW:   
UNIT: mm/in  
SIZE: A4

**XKB**

XKB INDUSTRIAL PRECISION CO., LIMITED

MODEL TYPE: SLIDE SWITCH
PART NO.: SS-3456S-02-X
DWG NO.:
WEIGHT
SHEET 1/1
REVISIC A0