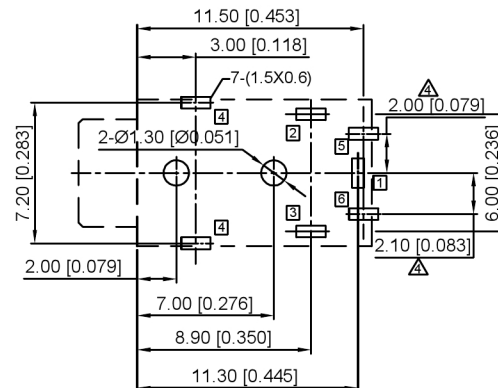
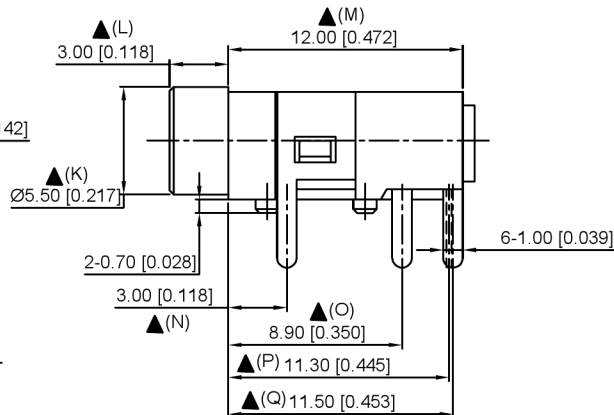
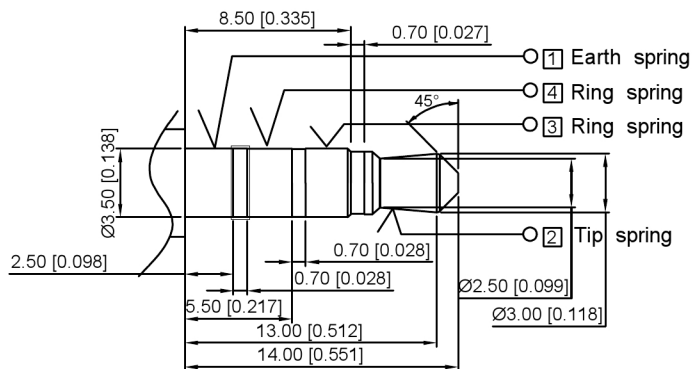
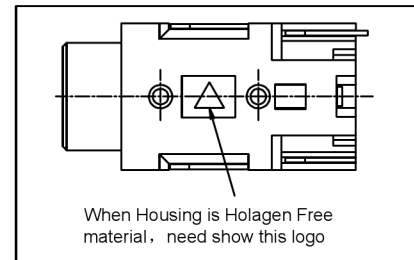
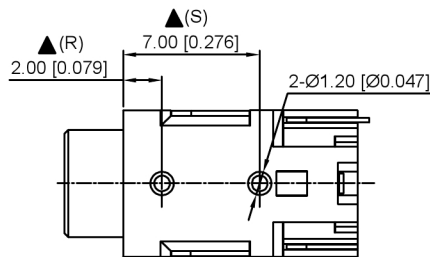


Matching Plug



RECOMMENDED P.C.B LAYOUT  
UNSPECIFIED TOLERANCE:  $\pm 0.05$   
(BOTTOM VIEW)



Model NO.	PJ-391	PJ-391-1	PJ-391-2
Schematic			
Model NO.	PJ-391-3	PJ-391-4	PJ-391-5
Schematic			

	MATERIAL	PLATING
terminal 1	Phosphor Bronze	tin
terminal 2	Phosphor Bronze	tin
terminal 3	Phosphor Bronze	tin
terminal 4	Phosphor Bronze	tin
terminal 5	Brass	tin
terminal 6	Brass	tin
plastic	Pbt	

广东星坤科技股份有限公司

日期  
文件工程章

文件工程章

DESCRIPTION	DATE	REVISED	APPROVED	UNSPECIFIED TOLERANCES
REVISIONS				
www.helloxkb.com www.helloxkb.cn www.xk-dg.cn				

ANGLAR	$\pm 5^\circ$
$L \leq 4$	$\pm 0.2$
$4 < L \leq 16$	$\pm 0.3$
$16 < L \leq 63$	$\pm 0.4$
$L > 63$	$\pm 0.5$

XKB INDUSTRIAL PRECISION CO., LIMITED

DSND	SCALE: N/A	MODEL TYPE: 3.5 PHONE JACK
DWN	VIEW:	PART NO.: PJ-391-X
CHKD	UNIT: mm/in	DWG NO.:
APPD	SIZE: A4	
	WEIGHT	SHEET
		1/1
	REVISIC	A0