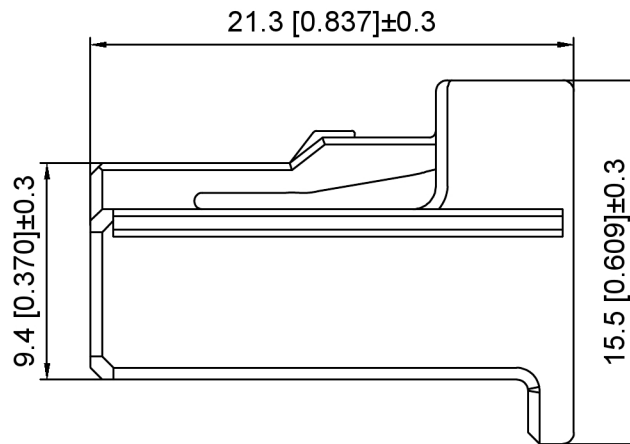
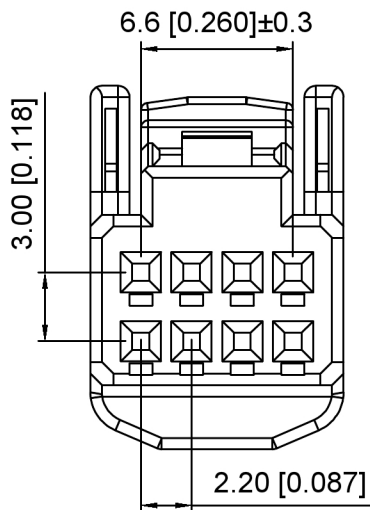


Temperature range: -40°C +125°C
 温度范围: -40°C +125°C

K 137635 H M - 2xXX - PT X
 ① ② ③ ④ ⑤ ⑥ ⑦

- 1.K: XKBTEK-Car Connector
- 2.XKB Series No
- 3.Category:H-Housing
- 4.Category:M-Male Housing
- 5.Row No.Pin No:2xXX-2x04 Pin
- 6.Material:PT-PBT
- 7.Color:B-Black ; W-White



K137635HM-2xXX-PTX	PBT	K137635W	K137635HF	K137635TF
PART NO	Material	Suitable XKB Wafer	Suitable XKB Housing	Suitable XKB Terminal

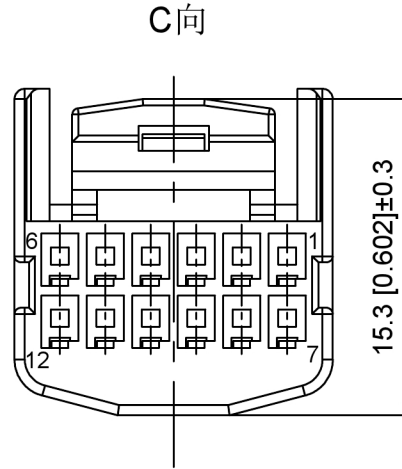
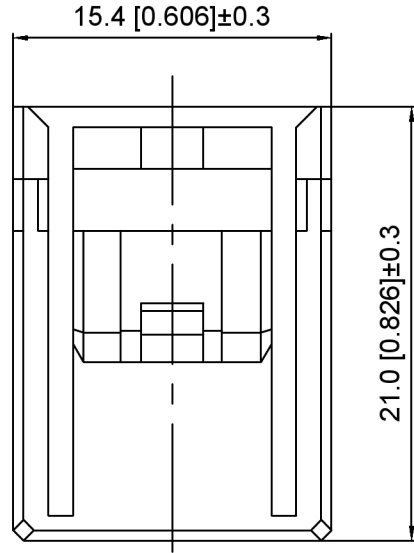
DSND	SCALE: N/A	MODEL TYPE: 2.2mm Automobile connector
DWN	VIEW:	PART NO.: K137635HM-2xXX-PTX
CHKD	UNIT: mm/in	DWG NO.: X-K137635HM-2xXX-PTX
APPD	SIZE: A4	WEIGHT SHEET REVISION
		1/1 A0



XKB INDUSTRIAL PRECISION CO., LIMITED

ANGLAR	±5°
L ≤ 4	±0.2
4 < L ≤ 16	±0.3
16 < L ≤ 63	±0.4
L > 63	±0.5
UNSPECIFIED TOLERANCES	

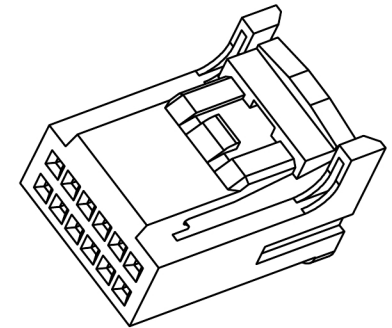
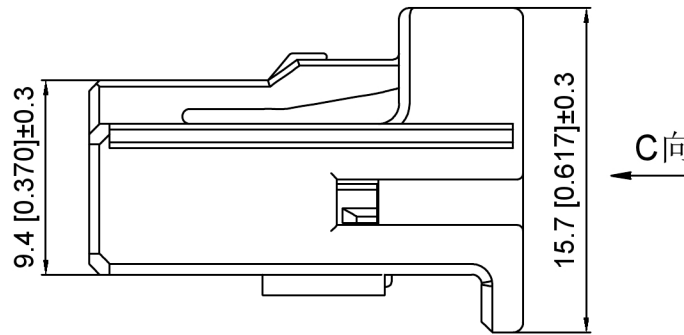
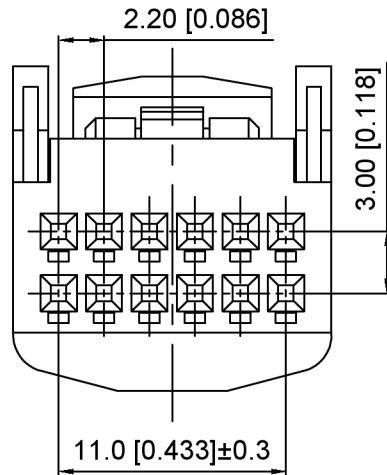
MARK	DESCRIPTION	DATE	REVISED	APPROVED
ΔX				
ΔX				
ΔX				



Temperature range: -40°C-+125°C
 温度范围: -40°C-+125°C

K 137635 H M - 2xXX - PT X
 ① ② ③ ④ ⑤ ⑥ ⑦

- 1.K: XKBTEK-Car Connector
- 2.XKB Series No
- 3.Category:H-Housing
- 4.Category:M-Male Housing
- 5.Row No.Pin No:2xXX-2x06 Pin
- 6.Material:PT-PBT
- 7.Color:B-Black ; W-White



K137635HM-2xXX-PTX	PBT	K137635W	K137635HF	K137635TF
PART NO	Material	Suitable XKB Wafer	Suitable XKB Housing	Suitable XKB Terminal

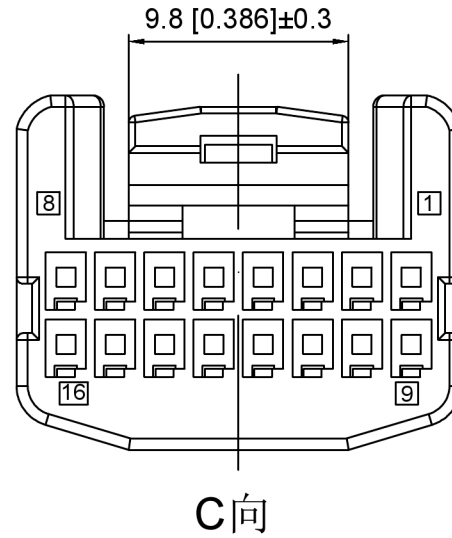
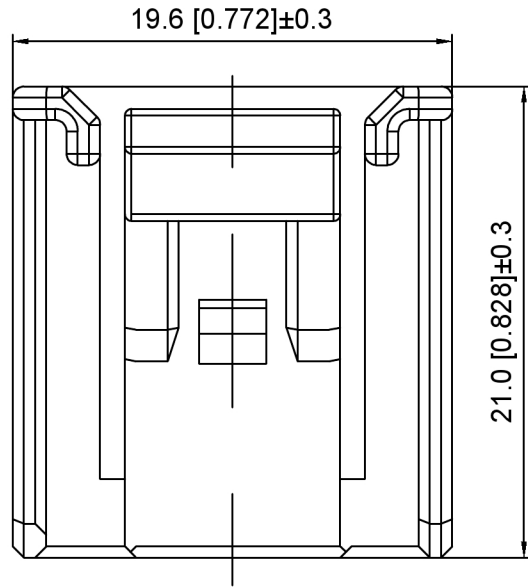
DSND	SCALE: N/A	MODEL TYPE: 2.2mm Automobile connector
DWN	VIEW:	PART NO.: K137635HM-2xXX-PTX
CHKD	UNIT: mm/in	DWG NO.: X-K137635HM-2xXX-PTX
APPD	SIZE: A4	



XKB INDUSTRIAL PRECISION CO.,LIMITED

WEIGHT	SHEET	REVISION
	1/1	A0

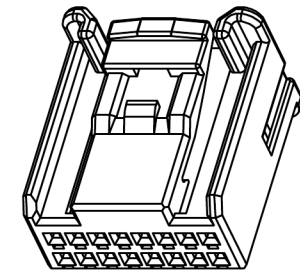
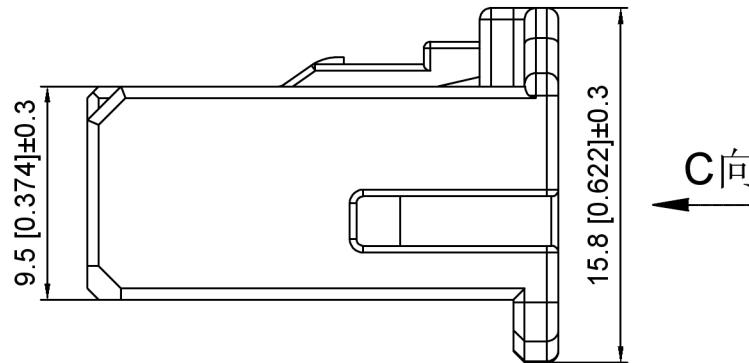
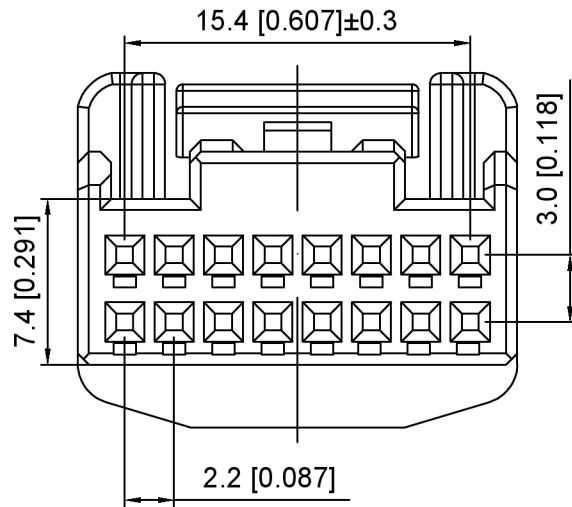
MARK	DESCRIPTION	DATE	REVISED	APPROVED	UNSPECIFIED TOLERANCES
ΔX					ANGLAR ±5°
ΔX					L ≤ 4 ±0.2
ΔX					4 < L ≤ 16 ±0.3
					16 < L ≤ 63 ±0.4
					L > 63 ±0.5



Temperature range: -40°C - +125°C
 温度范围: -40°C - +125°C

K 137635 H M - 2xXX - PT X
 ① ② ③ ④ ⑤ ⑥ ⑦

- 1.K: XKBTEK-Car Connector
- 2.XKB Series No
- 3.Category:H-Housing
- 4.Category:M-Male Housing
- 5.Row No.Pin No:2xXX-2x08 Pin
- 6.Material:PT-PBT
- 7.Color:B-Black ; W-White



K137635HM-2xXX-PTX	PBT	K137635W	K137635HF	K137635TF
PART NO	Material	Suitable XKB Wafer	Suitable XKB Housing	Suitable XKB Terminal

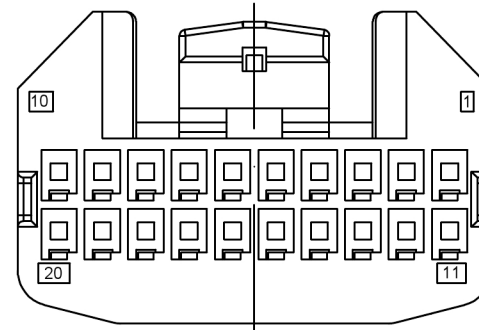
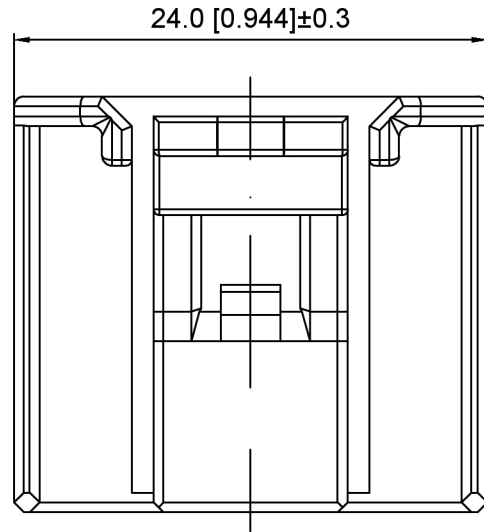
MARK	DESCRIPTION	DATE	REVISED	APPROVED	UNSPECIFIED TOLERANCES
ΔX					ANGLAR ±5°
ΔX					L ≤ 4 ±0.2
ΔX					4 < L ≤ 16 ±0.3
					16 < L ≤ 63 ±0.4
					L > 63 ±0.5



DSND	SCALE: N/A
DWN	VIEW:
CHKD	UNIT: mm/in
APPD	SIZE: A4

MODEL TYPE: 2.2mm Automobile connector		
PART NO.: K137635HM-2xXX-PTX		
DWG NO.: X-K137635HM-2xXX-PTX		
WEIGHT	SHEET	REVISION
	1/1	A0

XKB INDUSTRIAL PRECISION CO., LIMITED

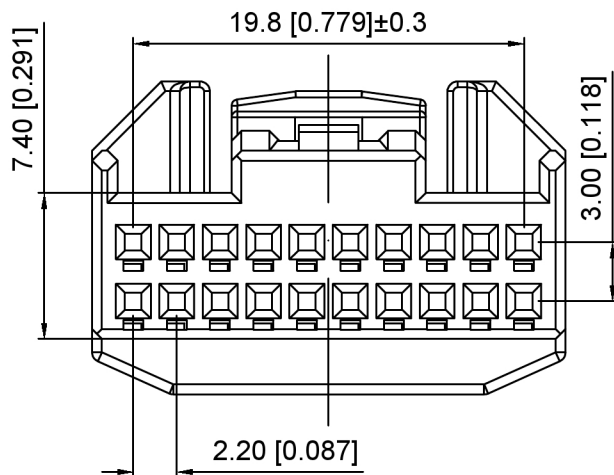


C向

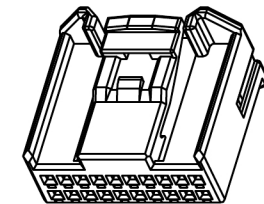
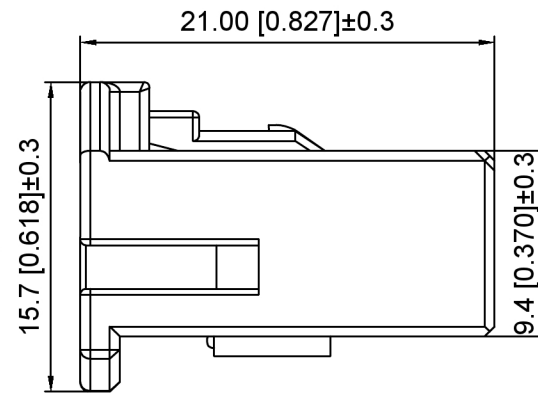
Temperature range:-40°C-+125°C
 温度范围: -40°C-+125°C

K 137635 H M - 2xXX - PT X
 ① ② ③ ④ ⑤ ⑥ ⑦

- 1.K: XKBTEK-Car Connector
- 2.XKB Series No
- 3.Category:H-Housing
- 4.Category:M-Male Housing
- 5.Row No.Pin No:2xXX-2x10 Pin
- 6.Material:PT-PBT
- 7.Color:B-Black ; W-White



C向



K137635HM-2xXX-PTX	PBT	K137635W	K137635HF	K137635TF
PART NO	Material	Suitable XKB Wafer	Suitable XKB Housing	Suitable XKB Terminal

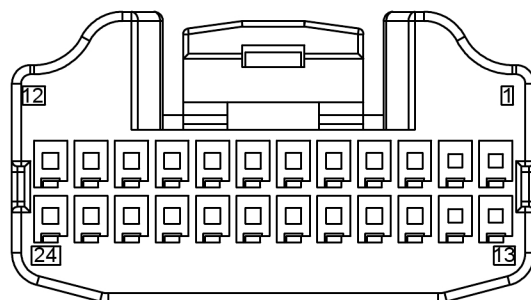
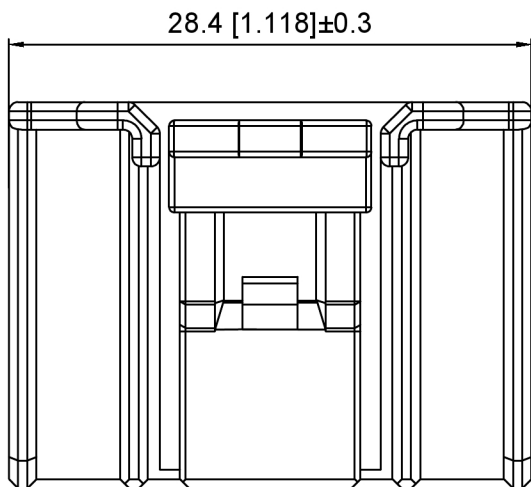
DSND	SCALE: N/A	MODEL TYPE: 2.2mm Automobile connector
DWN	VIEW:	PART NO.: K137635HM-2xXX-PTX
CHKD	UNIT: mm/in	DWG NO.: X-K137635HM-2xXX-PTX
APPD	SIZE: A4	

					ANGLAR	±5°
ΔX					L ≤ 4	±0.2
ΔX					4 < L ≤ 16	±0.3
ΔX					16 < L ≤ 63	±0.4
MARK	DESCRIPTION	DATE	REVISED	APPROVED	L > 63	±0.5
REVISIONS					UNSPECIFIED TOLERANCES	
www.helloxkb.com www.helloxkb.cn www.xk-dg.cn						



XKB INDUSTRIAL PRECISION CO., LIMITED

WEIGHT	SHEET	REVISION
	1/1	A0

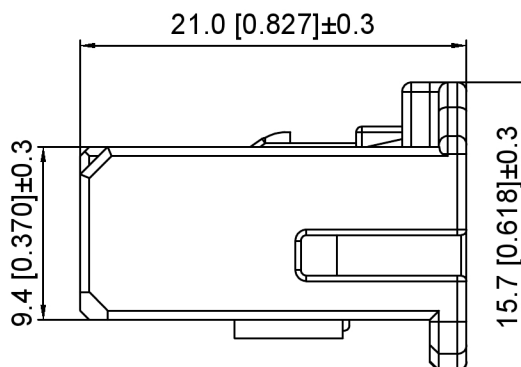
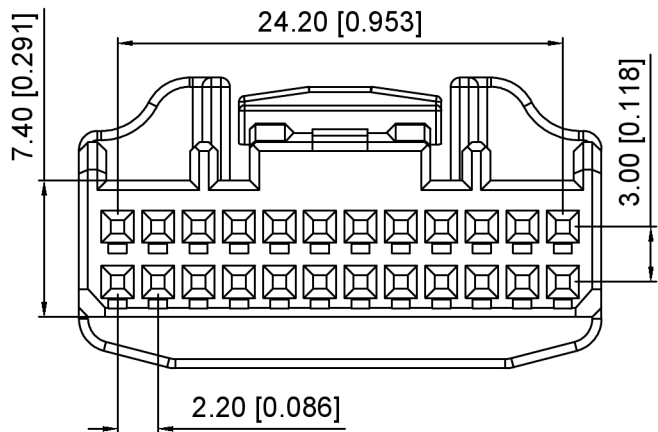


C向

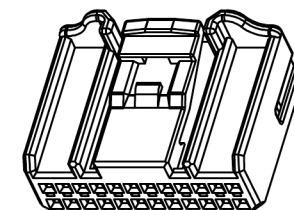
Temperature range: -40°C - +125°C
 温度范围: -40°C - +125°C

K 137635 H M - 2xXX - PT X
 ① ② ③ ④ ⑤ ⑥ ⑦

- 1.K: XKBTEK-Car Connector
- 2.XKB Series No
- 3.Category:H-Housing
- 4.Category:M-Male Housing
- 5.Row No.Pin No:2xXX-2x12 Pin
- 6.Material:PT-PBT
- 7.Color:B-Black ; W-White



C向



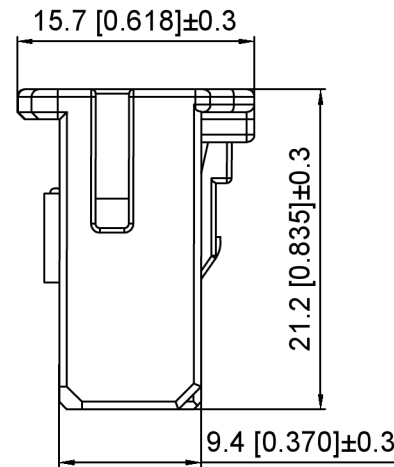
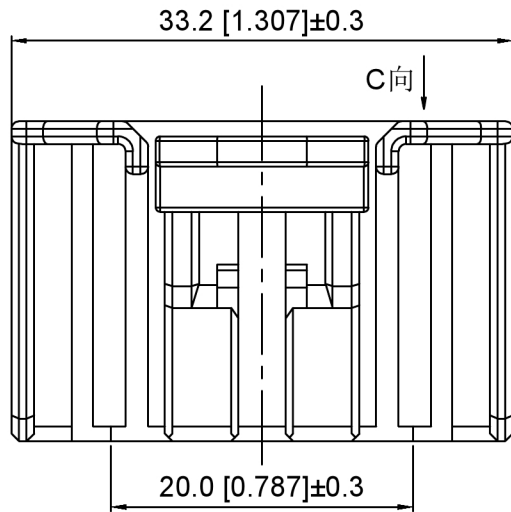
K137635HM-2xXX-PTX	PBT	K137635W	K137635HF	K137635TF
PART NO	Material	Suitable XKB Wafer	Suitable XKB Housing	Suitable XKB Terminal

DSND	SCALE: N/A	MODEL TYPE: 2.2mm Automobile connector
DWN	VIEW:	PART NO.: K137635HM-2xXX-PTX
CHKD	UNIT: mm/in	DWG NO.: X-K137635HM-2xXX-PTX
APPD	SIZE: A4	
	WEIGHT	SHEET
		1/1
	REVISION	A0

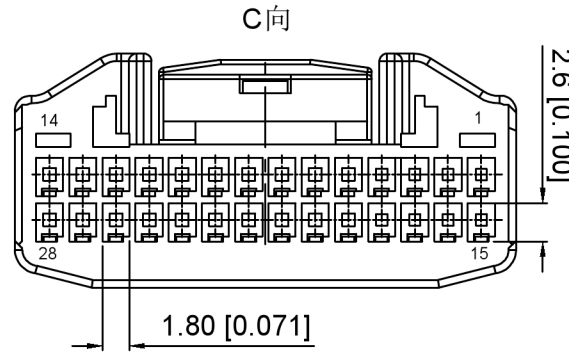
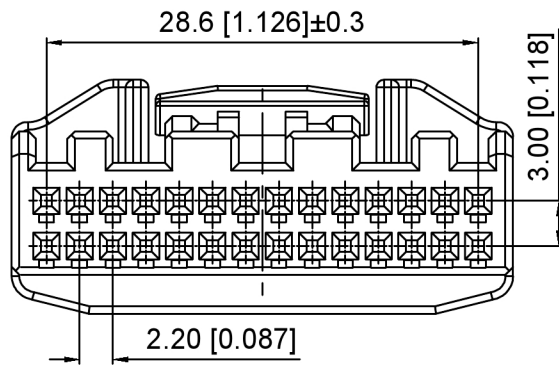


XKB INDUSTRIAL PRECISION CO., LIMITED

					ANGLAR	±5°
ΔX					L ≤ 4	±0.2
ΔX					4 < L ≤ 16	±0.3
ΔX					16 < L ≤ 63	±0.4
MARK					L > 63	±0.5
					UNSPECIFIED TOLERANCES	



Temperature range: -40°C-+125°C
 温度范围: -40°C-+125°C



K 137635 H M - 2xXX - PT X
 ① ② ③ ④ ⑤ ⑥ ⑦

- 1.K: XKBTEK-Car Connector
- 2.XKB Series No
- 3.Category:H-Housing
- 4.Category:M-Male Housing
- 5.Row No.Pin No:2xXX-2x14 Pin
- 6.Material:PT-PBT
- 7.Color:B-Black ; W-White

K137635HM-2xXX-PTX	PBT	K137635W	K137635HF	K137635TF
PART NO	Material	Suitable XKB Wafer	Suitable XKB Housing	Suitable XKB Terminal

DSND	SCALE: N/A	MODEL TYPE: 2.2mm Automobile connector
DWN	VIEW:	PART NO.: K137635HM-2xXX-PTX
CHKD	UNIT: mm/in	DWG NO.: X-K137635HM-2xXX-PTX
APPD	SIZE: A4	WEIGHT SHEET REVISION



XKB INDUSTRIAL PRECISION CO., LIMITED

WEIGHT	SHEET	REVISION
	1/1	A0

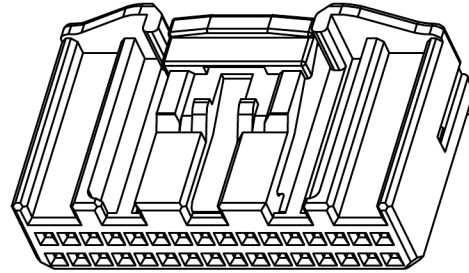
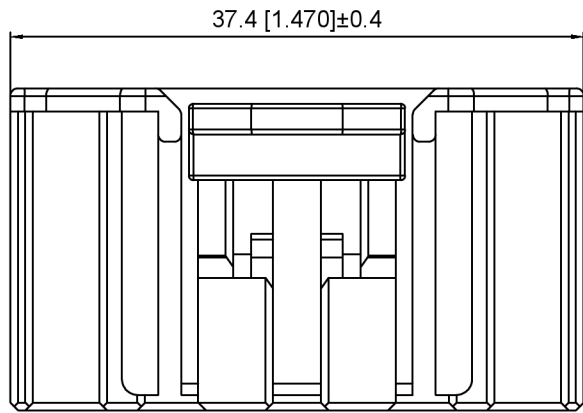
ANGLAR	±5°
L ≤ 4	±0.2
4 < L ≤ 16	±0.3
16 < L ≤ 63	±0.4
L > 63	±0.5

UNSPECIFIED TOLERANCES

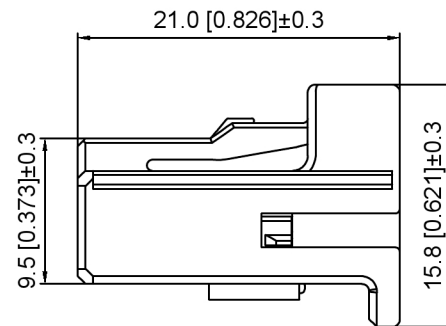
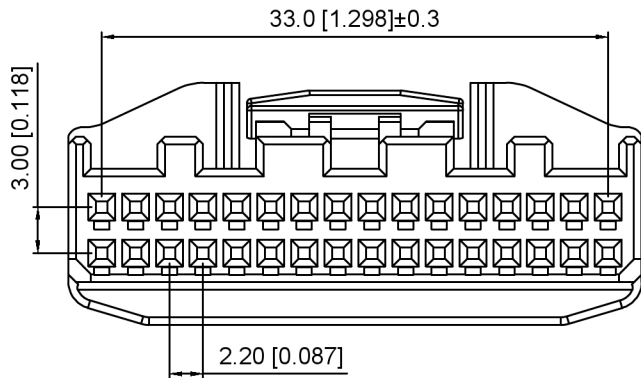
ΔX					
ΔX					
ΔX					
MARK	DESCRIPTION	DATE	REVISED	APPROVED	

REVISIONS

www.helloxkb.com www.helloxkb.cn www.xk-dg.cn



Temperature range: -40°C-+125°C
 温度范围: -40°C-+125°C



K 137635 H M - 2xXX - PT X
 ① ② ③ ④ ⑤ ⑥ ⑦

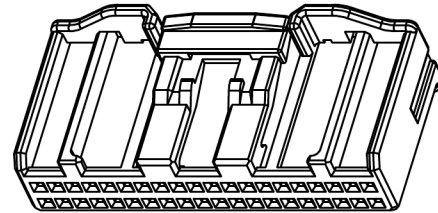
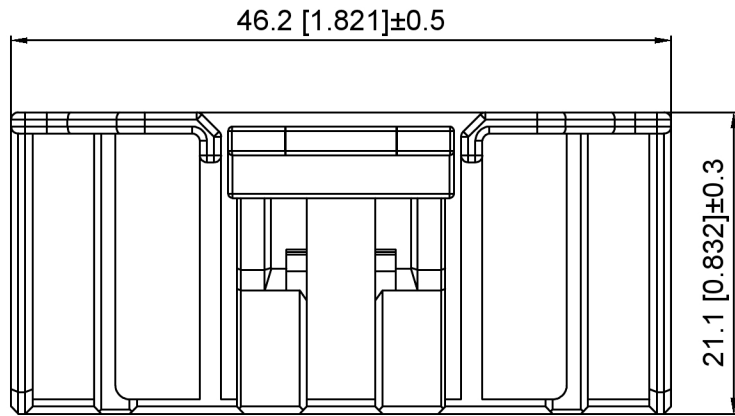
- 1.K: XKBTEK-Car Connector
- 2.XKB Series No
- 3.Category:H-Housing
- 4.Category:M-Male Housing
- 5.Row No.Pin No:2xXX-2x16 Pin
- 6.Material:PT-PBT
- 7.Color:B-Black ; W-White

K137635HM-2xXX-PTX	PBT	K137635W	K137635HF	K137635TF
PART NO	Material	Suitable XKB Wafer	Suitable XKB Housing	Suitable XKB Terminal

					ANGLAR	±5°
ΔX					L ≤ 4	±0.2
ΔX					4 < L ≤ 16	±0.3
ΔX					16 < L ≤ 63	±0.4
MARK					L > 63	±0.5
REVISIONS					UNSPECIFIED TOLERANCES	



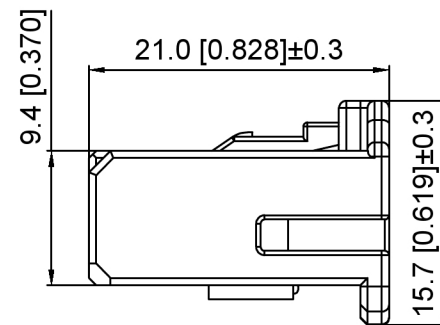
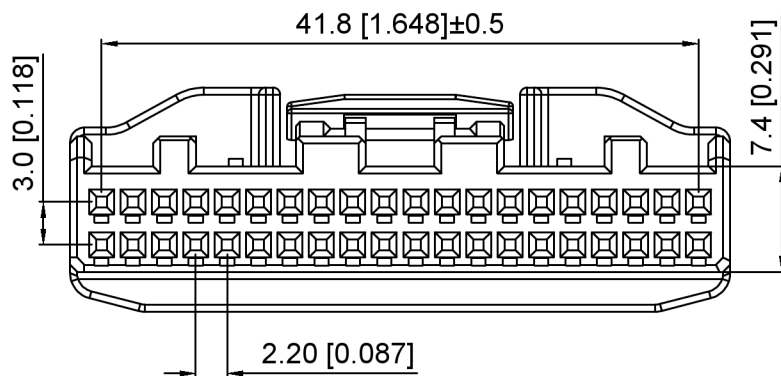
DSND		SCALE: N/A	MODEL TYPE: 2.2mm Automobile connector		
DWN		VIEW:	PART NO.: K137635HM-2xXX-PTX		
CHKD		UNIT: mm/in	DWG NO.: X-K137635HM-2xXX-PTX		
APPD		SIZE: A4	WEIGHT	SHEET	REVISION
XKB INDUSTRIAL PRECISION CO., LIMITED				1/1	A0



Temperature range:-40°C-+125°C
 温度范围: -40°C-+125°C

K 137635 H M - 2xXX - PT X
 ① ② ③ ④ ⑤ ⑥ ⑦

- 1.K: XKBTEK-Car Connector
- 2.XKB Series No
- 3.Category:H-Housing
- 4.Category:M-Male Housing
- 5.Row No.Pin No:2xXX-2x20 Pin
- 6.Material:PT-PBT
- 7.Color:B-Black ; W-White



K137635HM-2xXX-PTX	PBT	K137635W	K137635HF	K137635TF
PART NO	Material	Suitable XKB Wafer	Suitable XKB Housing	Suitable XKB Terminal

DSND	SCALE: N/A	MODEL TYPE: 2.2mm Automobile connector
DWN	VIEW:	PART NO.: K137635HM-2xXX-PTX
CHKD	UNIT: mm/in	DWG NO.: X-K137635HM-2xXX-PTX
APPD	SIZE: A4	WEIGHT SHEET REVISION
		1/1 A0



XKB INDUSTRIAL PRECISION CO.,LIMITED

					ANGLAR	±5°
ΔX					L ≤ 4	±0.2
ΔX					4 < L ≤ 16	±0.3
ΔX					16 < L ≤ 63	±0.4
MARK	DESCRIPTION	DATE	REVISED	APPROVED	L > 63	±0.5
REVISIONS					UNSPECIFIED TOLERANCES	