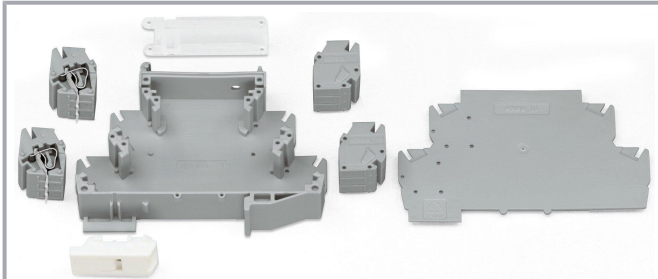


## Data sheet | Item number: 789-132

PCB terminal block; 2.5 mm<sup>2</sup>; Pin spacing 5 mm; 2,50 mm<sup>2</sup>; gray

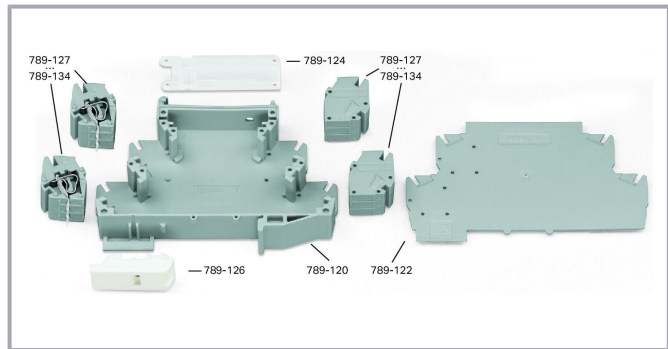
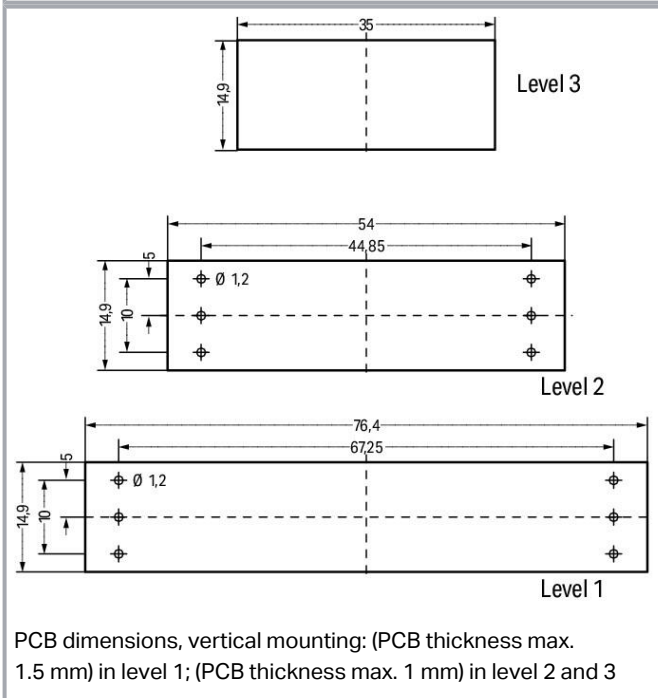
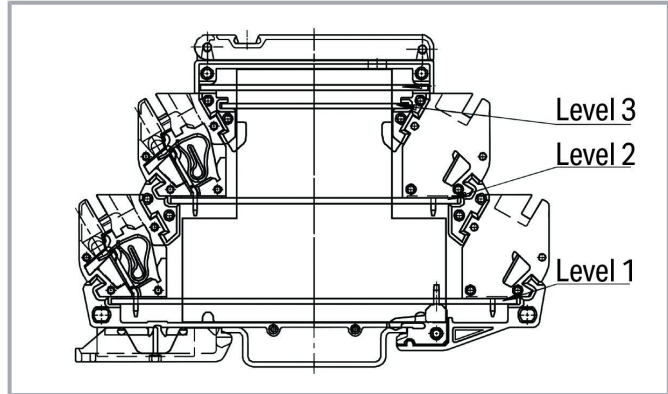
[www.wago.com/789-132](http://www.wago.com/789-132)



**i** Picture differs from the item.

Similar to picture

Color:



## Item description

Universal modular component plug housing, as rail-mount terminal block – compact terminal block, 3-pole: 000\*

(\*C = with clamping spring; O = without clamping spring; Housing open on the right side)

Subject to changes. Please also observe the further product documentation!

WAGO GmbH & Co. KG  
Hansastr. 27  
32423 Minden  
Phone: +49571 887-0 | Fax: +49571 887-169  
Email: [info.de@wago.com](mailto:info.de@wago.com) | Web: [www.wago.com](http://www.wago.com)

Do you have any questions about our products?  
We are always happy to take your call at +49 (571) 887-44222.



## Data

### Connection data

|                      |   |
|----------------------|---|
| Pole number          | 3 |
| Connections (number) | 1 |

### Mechanical Data

|                |                          |
|----------------|--------------------------|
| Housing design | DIN-rail-mount enclosure |
| Suitable       | for 789-120              |

### Material data

|                             |                  |
|-----------------------------|------------------|
| Color                       | gray             |
| Insulation material         | Polyamide (PA66) |
| Flammability class per UL94 | V0               |
| Fire load                   | 0.057 MJ         |
| Weight                      | 1.9 g            |

### Environmental requirements

|                        |                |
|------------------------|----------------|
| Processing temperature | -25 ... +70 °C |
|------------------------|----------------|

### Commercial data

|                       |                          |
|-----------------------|--------------------------|
| Product Group         | 6 (INTERFACE ELECTRONIC) |
| eCl@ss 10.0           | 27-18-27-02              |
| eCl@ss 9.0            | 27-18-27-02              |
| ETIM 8.0              | EC001031                 |
| ETIM 7.0              | EC001031                 |
| ECCN                  | NO DATA                  |
| PU (SPU)              | 100 (1) pcs              |
| Packaging type        | Box                      |
| Country of origin     | DE                       |
| GTIN                  | 4044918112949            |
| Customs tariff number | 85369010000              |

### Environmental Product Compliance

|                        |                         |
|------------------------|-------------------------|
| RoHS Compliance Status | Compliant, No Exemption |
|------------------------|-------------------------|

Subject to changes. Please also observe the further product documentation!

## Optional accessories

### System housing

DIN-rail-mount enclosure



**Item no.: 789-120**  
Housing 55 mm; gray

[www.wago.com/789-120](http://www.wago.com/789-120)

### Ferrule

Ferrule



**Item no.: 216-241**  
Ferrule; Sleeve for 0.5 mm<sup>2</sup> / 20 AWG; insulated; electro-tin plated; electrolytic copper; gastight crimped; acc. to DIN 46228, Part 4/09.90; white

[www.wago.com/216-241](http://www.wago.com/216-241)



**Item no.: 216-242**  
Ferrule; Sleeve for 0.75 mm<sup>2</sup> / 18 AWG; insulated; electro-tin plated; electrolytic copper; gastight crimped; acc. to DIN 46228, Part 4/09.90; gray

[www.wago.com/216-242](http://www.wago.com/216-242)



**Item no.: 216-243**  
Ferrule; Sleeve for 1 mm<sup>2</sup> / AWG 18; insulated; electro-tin plated; electrolytic copper; gastight crimped; acc. to DIN 46228, Part 4/09.90; red

[www.wago.com/216-243](http://www.wago.com/216-243)



**Item no.: 216-244**  
Ferrule; Sleeve for 1.5 mm<sup>2</sup> / AWG 16; insulated; electro-tin plated; electrolytic copper; gastight crimped; acc. to DIN 46228, Part 4/09.90; black

[www.wago.com/216-244](http://www.wago.com/216-244)

## Downloads

### Documentation

#### Additional Information

|   |             |        |          |
|---|-------------|--------|----------|
| Disposal and Recycling                                    | V 1.1.0     | pdf    | Download |
| Electrical and electronic equipment, Batteries, Packaging | 2022 Aug 18 | 2.2 MB |          |

## CAD/CAE-Data

### CAE data

|                        |     |          |
|------------------------|-----|----------|
| WSCAD Universe 789-132 | URL | Download |
| ZUKEN Portal 789-132   | URL | Download |

### CAD data

|                      |     |          |
|----------------------|-----|----------|
| 2D/3D Models 789-132 | URL | Download |
|----------------------|-----|----------|

### Asset Administration Shell

|                                    |     |          |
|------------------------------------|-----|----------|
| Asset Administration Shell 789-132 | URL | Download |
|------------------------------------|-----|----------|

Subject to changes. Please also observe the further product documentation!



## Environmental Product Compliance

### Compliance Search

| Environmental Product Compliance 789-132  | URL | Download |
|---|-----|----------|
| PCB terminal block; 2.5 mm <sup>2</sup> ; Pin spacing 5 mm; 2,50 mm <sup>2</sup> ; gray |     |          |

---

## Installation Notes

Subject to changes. Please also observe the further product documentation!