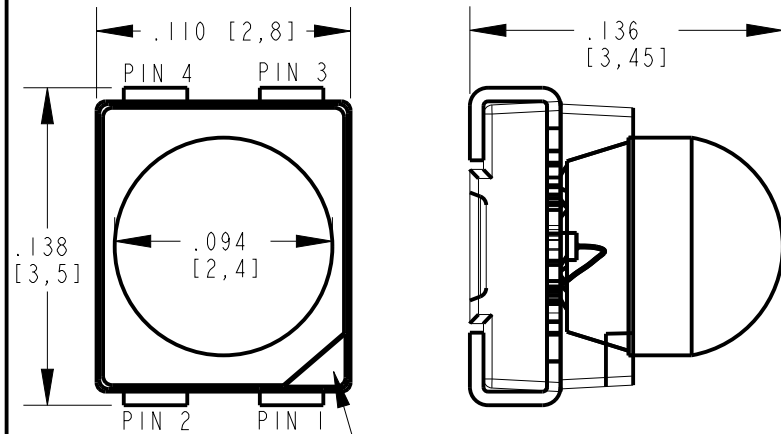
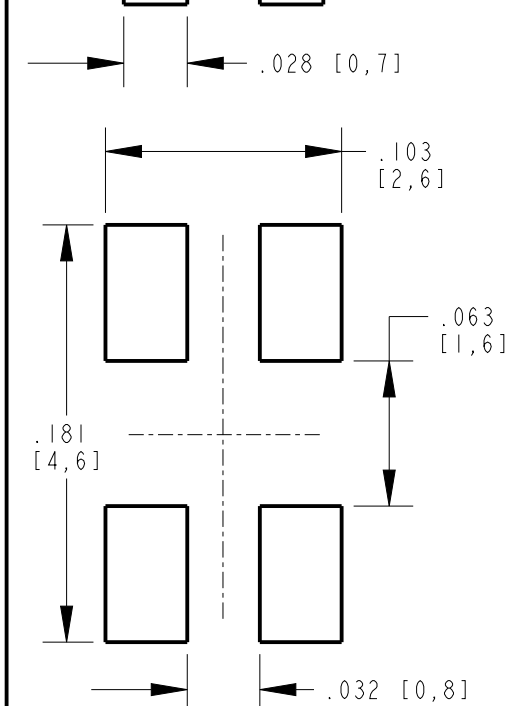
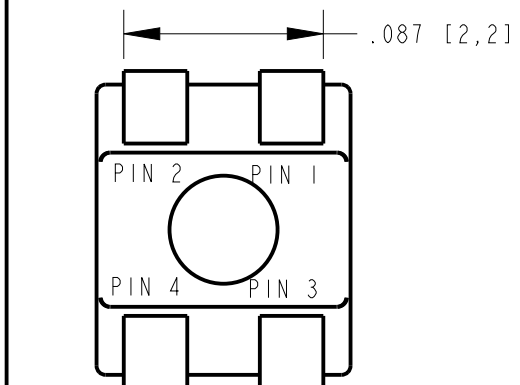


PART NUMBER	LED COLOR TYP(nm)
5988J10102F	RED (629)
5988J10103F	YELLOW (592)
5988J40102F	RED-ORANGE (621)
5988J40103F	RED-ORANGE (621)
5988J20102F	RED-ORANGE (621)
5988J20103F	RED-ORANGE (621)
5988J90102F	BLUE (468)
5988J90103F	BLUE (468)
5988J80102F	GREEN (520)
5988J80103F	GREEN (520)

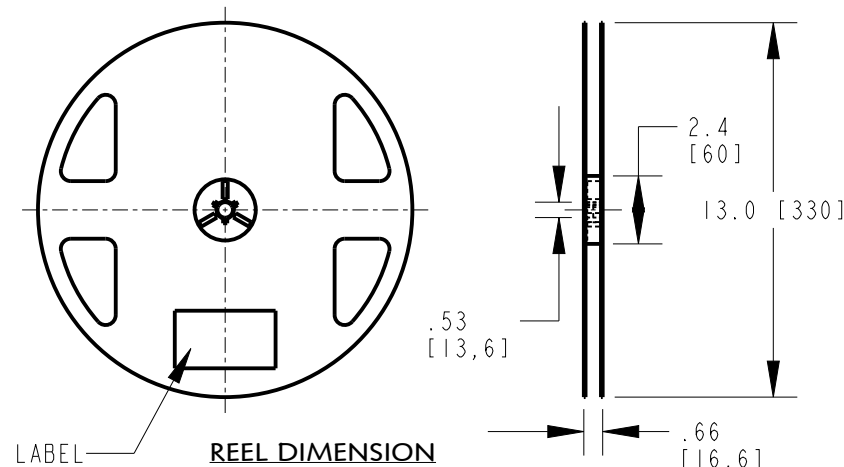
REV	ECN NO	REVISIONS	DRN	CKD	APP	DATE
A	98376	NEW RELEASE	JSG	CS	NO	12OCT22



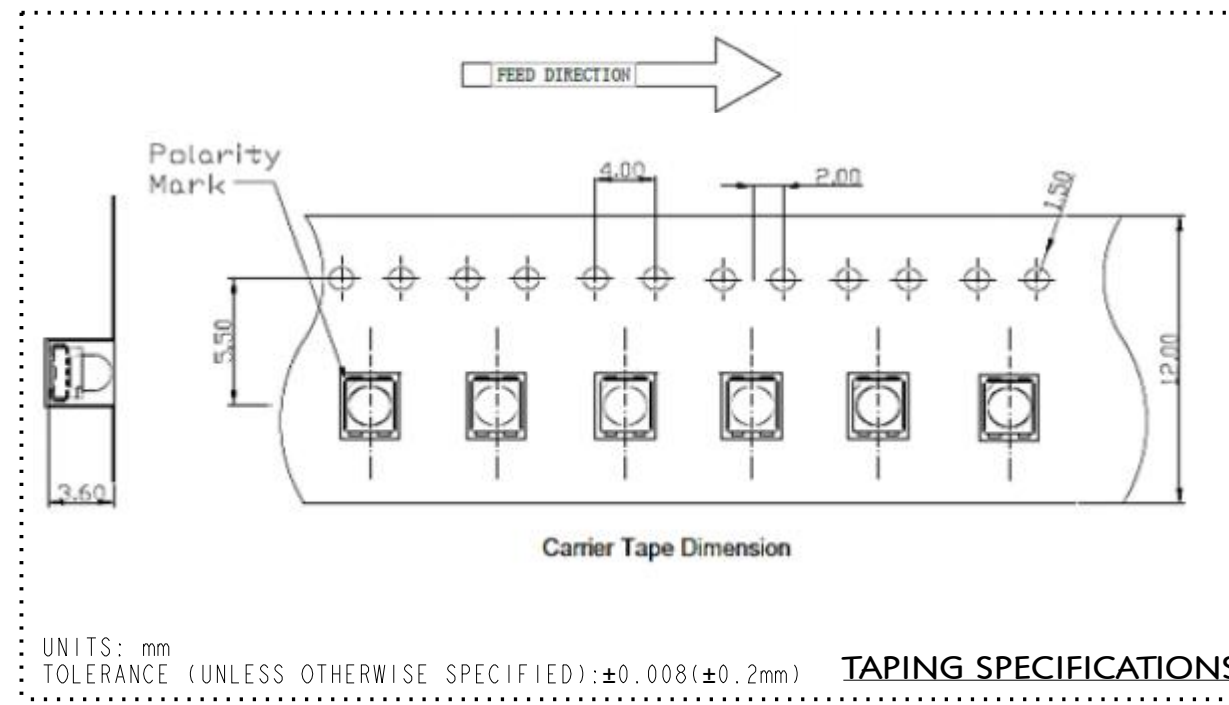
POLARITY MARK



RECOMMENDED SOLDER PAD LAYOUT



REEL DIMENSION

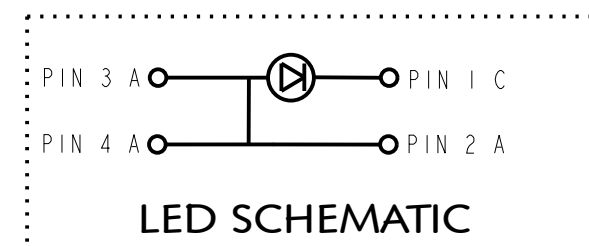


UNITS: mm
TOLERANCE (UNLESS OTHERWISE SPECIFIED): ±0.008(±0.2mm)

TAPING SPECIFICATIONS

ABSOLUTE MAXIMUM RATINGS AT 25°C								
LED COLOR	POWER DISSIPATION (mW)	FORWARD CURRENT (mA)	PEAK FORWARD CURRENT (mA)	REVERSE VOLTAGE (V)	OPERATING TEMPERATURE (°C)	STORAGE TEMPERATURE (°C)	JUNCTION TEMPERATURE (°C)	DERATING CURVE FROM 50°C (mA/°C)
RED	182	70	100 (1/10 DUTY CYCLE, 10ms PULSE WIDTH)	5	-40 TO +100	-40 TO +100	120	1.00
YELLOW	182	70						1.00
RED-ORANGE	182	70						1.00
BLUE	204	60						0.80
GREEN	210	60						0.80

OPERATING CHARACTERISTICS AT 25°C													
LED COLOR	TEST CONDITION	LUMINOUS INTENSITY (mcd)			DOMINANT WAVELENGTH (nm)			REVERSE CURRENT (MAX)	FORWARD VOLTAGE IF=50mA			VIEWING ANGLE (DEG)	THERMAL RESISTANCE MAX (°C/W)
		IF (mA)	MIN	TYP	MAX	MIN	TYP		MAX	MIN	TYP		
RED	50	8000	13000	15000	627	629	635	10µA @ VR=5V	2.0	2.3	2.6	30	180
YELLOW		12000	16000	28000	584	592	595		2.0	2.3	2.6		180
RED-ORANGE		15000	21000	35000	617	621	625		2.0	2.3	2.6		180
BLUE		4300	6500	10000	465	468	475		2.8	3.1	3.4		220
GREEN		15000	25000	35000	515	520	525		2.9	3.2	3.5		180

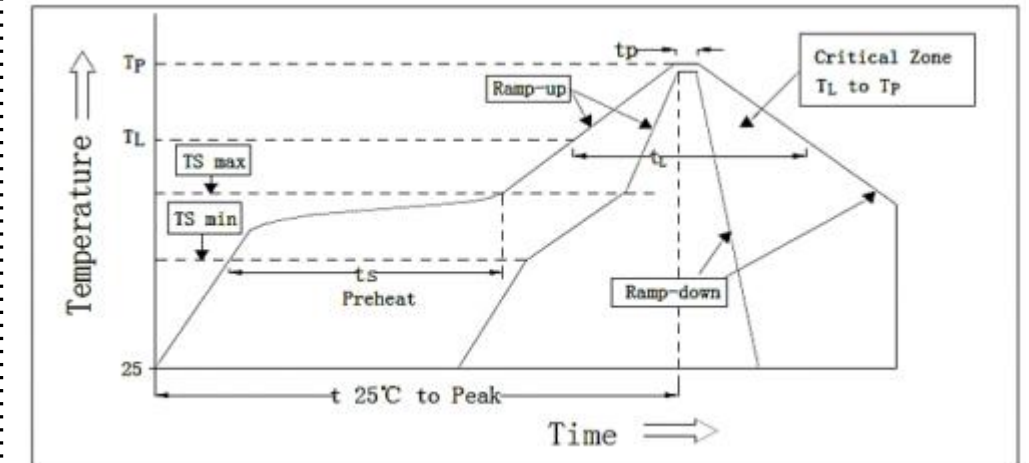


LED SCHEMATIC



ATTENTION:
OBSERVE PRECAUTIONS FOR
HANDLING ELECTROSTATIC
SENSITIVE DEVICES

RECOMMENDED RoHS SOLDER PROFILE



MARK	DEFINITION	CONDITION
TS _{max}	MAXIMUM OF PRE-HEATING TEMPERATURE	200°C
TS _{min}	MINIMUM OF PRE-HEATING TEMPERATURE	150°C
T _s	TIME FORM T _{smin} To T _{smax}	60-120 sec
T _L	REFERENCE TEMPERATURE	217°C
t _L	RETENTION TIME FOR T _L	WITHIN 60s
T _P	PEAK TEMPERATURE	260°C
t _p	TIME FOR PEAK TEMPERATURE	WITHIN 10s
DTr/Dt	TEMPERATURE RISING RATE	WITHIN 3°C/sec
DTd/Dt	TEMPERATURE DECREASING RATE	WITHIN 6°C/sec

NOTES:

- PIN NUMBERS ARE FOR REFERENCE ONLY, DESIGNATION NON-EXISTENT ON PART.
- LABELING FOR REEL AND OUTSIDE OF ALUMINUM BAG, DIALIGHT P/N, QUANTITY PER REEL, DATE CODE, INTENSITY BIN CODE, LOT NUMBER AND COUNTRY OF ORIGIN
- THIS PRODUCT IS RoHS COMPLIANT. EACH BAG IS TO BE MARKED WITH RoHS COMPLIANT LABEL OR EQUIVALENT MARKINGS. LED MUST BE Pb FREE.
- MOISTURE SENSITIVITY LEVEL 2
- QUANTITY : PART NUMBERS END WITH 103F REFER AS 2000 PCS/ REEL PART NUMBERS END WITH 102F REFER AS 20 PCS/ STRIP

THIS DRAWING AND THE CONTENTS HEREIN ARE CONFIDENTIAL AND THE SOLE PROPERTY OF DIALIGHT CORP. REPRODUCTION OF THIS DRAWING OR CONSTRUCTION OF ANY PARTS WITHIN THIS DRAWING ARE FORBIDDEN WITHOUT THE WRITTEN CONSENT OF DIALIGHT CORP.		
DIALIGHT CORP. INTERNAL REFERENCE ONLY = 3D MODEL : 4500521859X23-PADLAYOUT-A.2		
SCALE: 12.000	DRAWING NUMBER	REV
ALL DIM's: INCH (mm)	C-18617	A
TOLERANCES: UNLESS OTHERWISE SPECIFIED	TITLE	
FRACTIONS: ±1/64	SM PLCC-4 PKG W/ DOME LENS	
DECIMALS (.XX): ±.01	MATERIAL	
DECIMALS (.XXX): ±.008(±0.2)		
DECIMALS (.XXXX): ±.0005		
ANGLES: ±1°		
FINISH		
FSCM 83330	Dialight	
	1501 ROUTE 34 SOUTH FARMINGDALE, NJ 07727 (732) 919-3119 www.dialight.com	
SHEET 1 OF 1	FAMILY TABLE:	