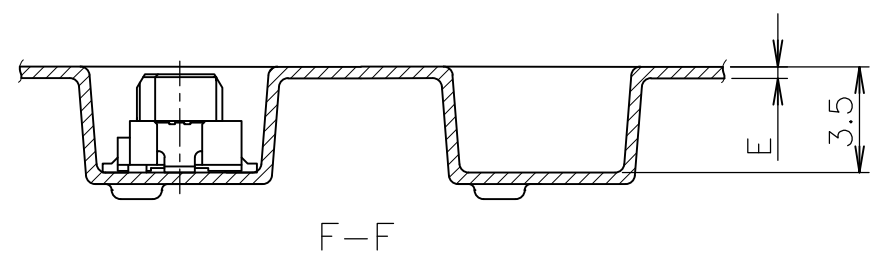
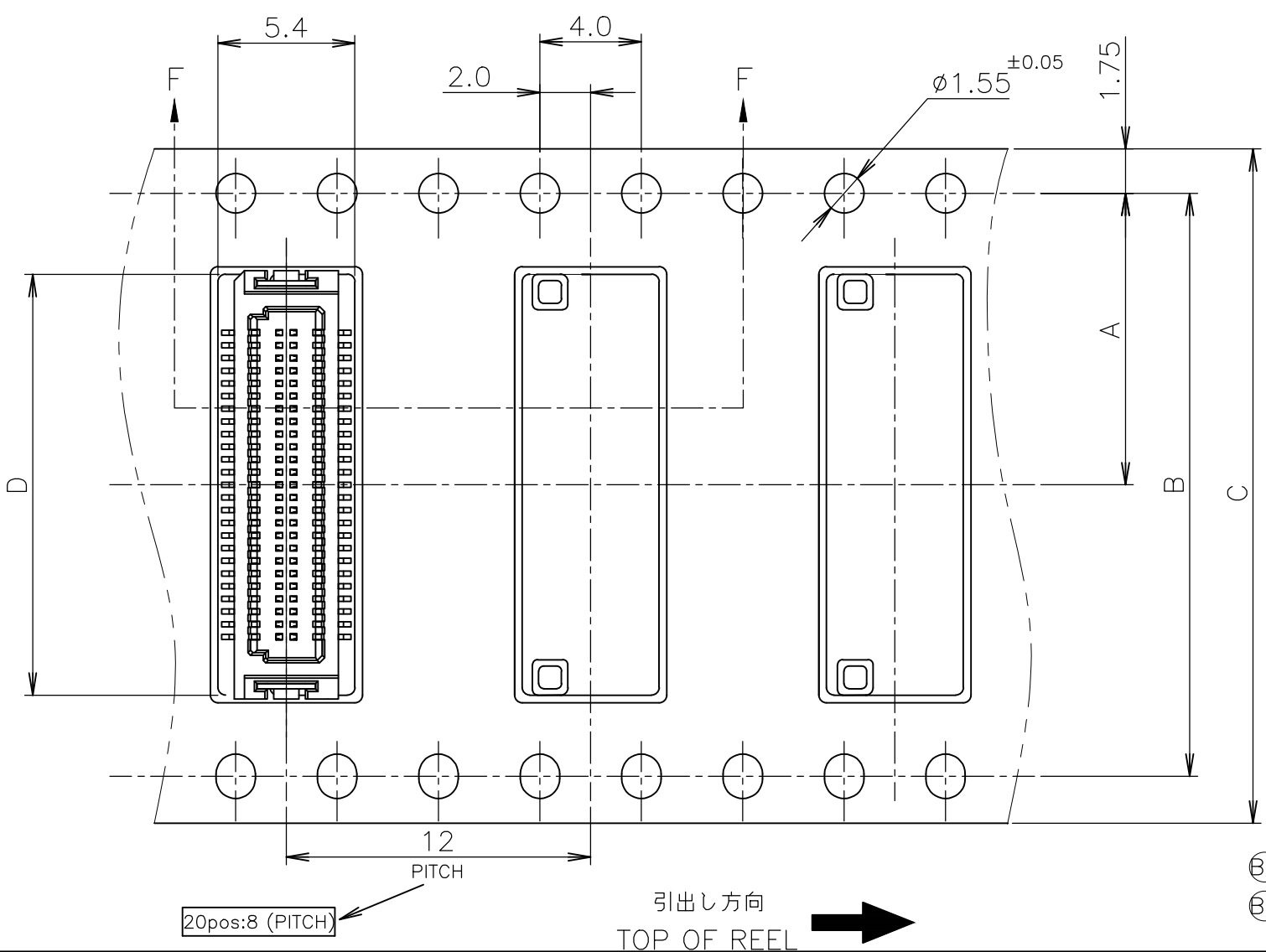


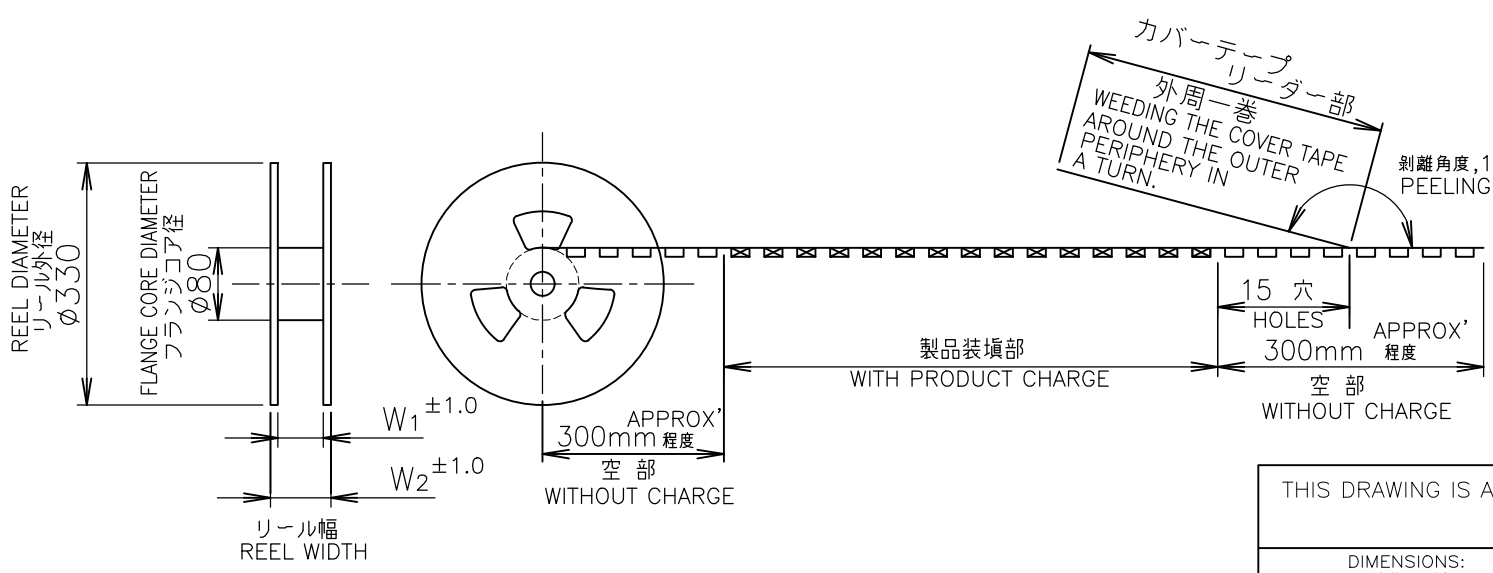
REVISIONS 変更				
P	LTR	DESCRIPTION	DATE	DWN APVD
B2		REVISED ECO-18-003089	01MAR2018	R.L H.L



テープ幅  
TAPE WIDTH

Ⓜ OBSOLETE  
Ⓜ OBSOLETE  
Ⓜ OBSOLETE

WITH BOSS	N	W2	W1	E	D	C	B	A	QTY/ REEL	POS	CONNECTOR P/N	TAPING P/N
		36.7	33.5	0.4	22.2	32	28.4	14.2				
		49.5	45.5	0.38	24.7	40	40.4	20.2	1000	80	5-1747023-35-1747022-3	
	N	20.7	17.5	0.38	8.7	16	7.5	1000	16	1-1747023-01-1747022-0		
	Y	20.2	17.5	0.4	9.7	16	7.5	1000	20	1747023-96-1747022-9		
		20.2	17.5	0.4	9.7	16	7.5	1000	20	1747023-9	1747022-9	
WITHOUT BOSS	N											
		49.5	45.5	0.38	24.7	40	40.4	20.2	1000	80	1747023-3	1747022-3
BOSS	Mylar	W2	W1	E	D	C	B	A				



カバーテープ  
リーダー部  
外周一巻  
WEEDING THE COVER TAPE  
AROUND THE OUTER  
PERIPHERY IN  
A TURN.  
剥離角度, 165°~180°  
PEELING ANGLE.

鉛フリー  
LEAD FREE

THIS DRAWING IS A CONTROLLED DOCUMENT.

DIMENSIONS: 単位: 耗 MM	TOLERANCES UNLESS OTHERWISE SPECIFIED: 一般公差
0 PLC	± 0.2
1 PLC	± 0.2
2 PLC	± 0.2
3 PLC	± 0.2
4 PLC	± 0.2
ANGLES	± 3°
MATERIAL 材料	FINISH 仕上

INSTRUCTION SHEET 取扱説明書 411-5808

WIRE RANGE 抱合電線断面積

INSULATION DIA 被覆外径

DWN  
CHK  
APVD

PRODUCT SPEC 製品規格 108-5496

APPLICATION SPEC 取付適用規格

WEIGHT 1

CUSTOMER DRAWING

SCALE 尺度 4:1

SHEET 1 OF 4

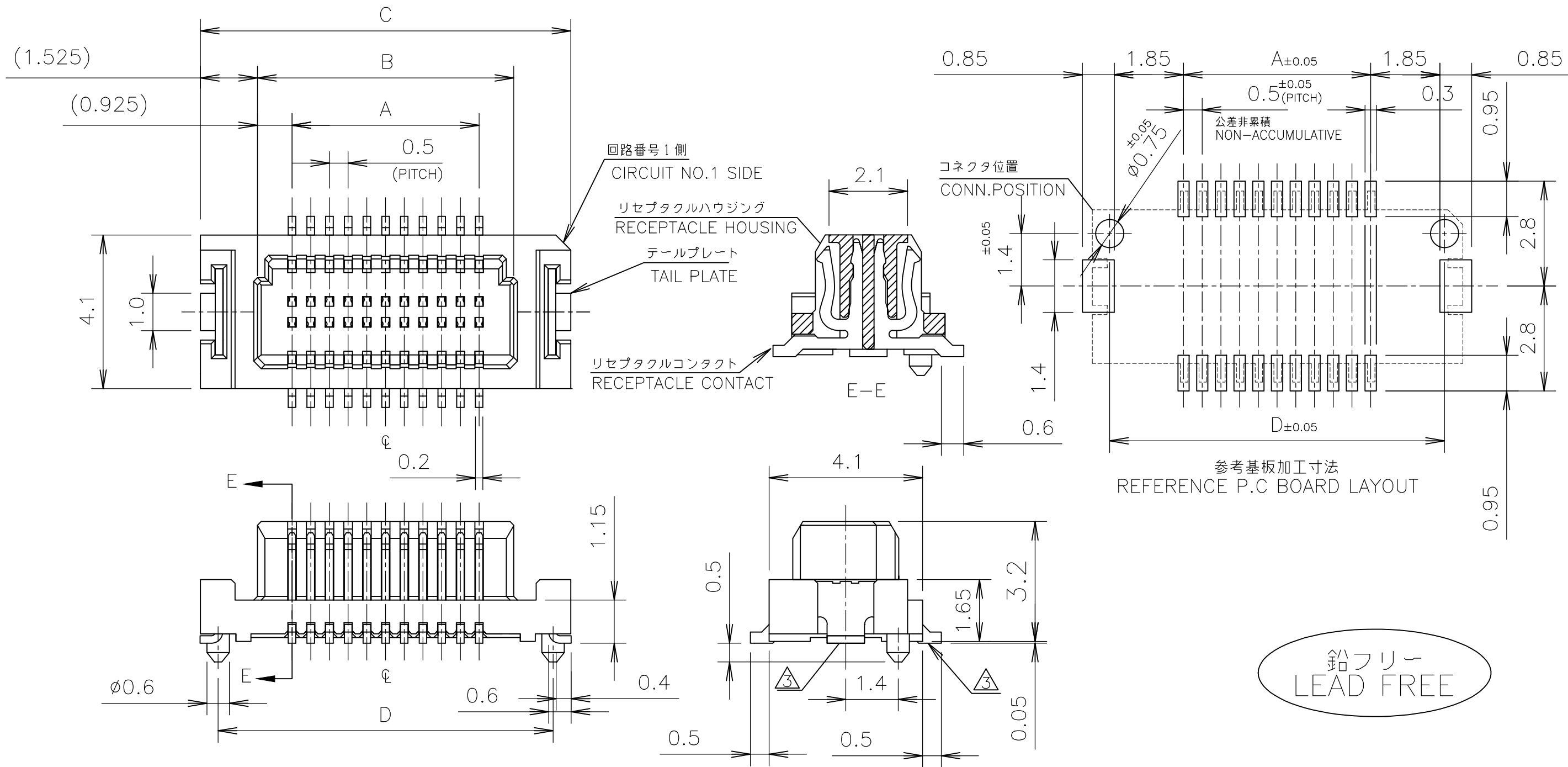
REV B2

ON TAPING (EMBOSS)  
0.5mm PITCH FINE MATE CONN.  
RECEPTACLE ASSEMBLY WITH KEY&BOSS

SIZE A3 CAGE CODE 00779 DRAWING NO. 番号 C-1747022 RESTRICTED TO

STE TE Connectivity

REVISIONS		DATE	DWN	APVD
P	LTR	DESCRIPTION		
-	-	SEE SHEET 1	-	-



CONNECTOR 1747023\* AS SHOW

THIS DRAWING IS A CONTROLLED DOCUMENT.

DIMENSIONS: 単位: 耗 MM	TOLERANCES UNLESS OTHERWISE SPECIFIED: 一般公差
	0 PLC ± 0.2
	1 PLC ± 0.2
	2 PLC ± 0.2
	3 PLC ± 0.2
	4 PLC ± 0.2
	ANGLES ± 3'
MATERIAL 材料	FINISH 仕上

INSTRUCTION SHEET 取扱説明書 411-5808	WIRE RANGE 抱合電線断面積 -	INSULATION DIA 被覆外径 -	
DWN			
CHK			
APVD	NAME 名称 ON TAPING (EMBOSS) 0.5mm PITCH FINE MATE CONN. RECEPTACLE ASSEMBLY WITH KEY&BOSS		
PRODUCT SPEC 製品規格 108-5496	SIZE A3	CAGE CODE 00779	DRAWING NO 番号 C-1747022
APPLICATION SPEC 取付適用規格	RESTRICTED TO	SCALE 尺度 4:1	SHEET 2 OF 4
WEIGHT 1	CUSTOMER DRAWING	REV B2	

THIS DRAWING IS UNPUBLISHED.

RELEASED FOR PUBLICATION .FEB 1997

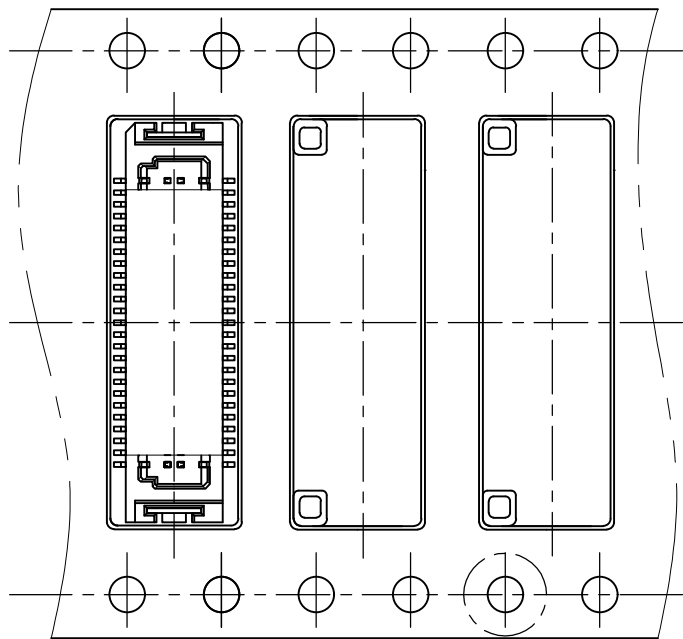
© COPYRIGHT 1997 By -

ALL RIGHTS RESERVED.

REVISIONS

P	LTR	DESCRIPTION	DATE	DWN	APVD
-	-	SEE SHEET 1	-	-	-

ⓑ cancel the view as the PN OBS



ⓑupdate the view

THIS TYPE APPLIES FOR 5-1747022-3

引出し方向  
TOP OF REEL →

THIS DRAWING IS A CONTROLLED DOCUMENT.		DWN	<b>TE</b> TE Connectivity			
DIMENSIONS: 単位: 耗 MM		CHK				
	TOLERANCES UNLESS OTHERWISE SPECIFIED: 一般公差	APVD	NAME 名称 ON TAPING (EMBOSS) 0.5mm PITCH FINE MATE CONN. RECEPTACLE ASSEMBLY WITH KEY&BOSS			
	0 PLC ± 0.2 1 PLC ± 0.2 2 PLC ± 0.2 3 PLC ± 0.2 4 PLC ± 0.2 ANGLES ± 3'	PRODUCT SPEC 製品規格 108-5496	WEIGHT 1	SIZE A3	CAGE CODE 00779	DRAWING NO 番号 C-1747022
MATERIAL 材料	FINISH 仕上	CUSTOMER DRAWING	RESTRICTED TO	SCALE 尺度 4:1	SHEET 3 of 4	REV B2

4

3

2

1

THIS DRAWING IS UNPUBLISHED.

RELEASED FOR PUBLICATION , .FEB 1997

© COPYRIGHT 1997 By -

ALL RIGHTS RESERVED.

REVISIONS  
変更

P	LTR	DESCRIPTION	DATE	DWN	APVD
-	-	SEE SHEET 1	-	-	-

鉛フリー  
LEAD FREE

1 嵌合相手製品番号：1747039, 1747255 (V-TYPE)  
1747258 (H-TYPE)

2 材料：  
リセプタクルハウジング：耐熱性樹脂  
リセプタクルコンタクト：銅合金 (t=0.2mm) 金めっき  
テールプレート：銅合金 (t=0.2mm) 錫めっき

△ 3 全てのタイン部及びテールプレートの  
バラツキは0.1mmMAX


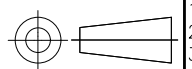
1 MATING COUNTER PART NUMBER : 1747039, 1747255 (V-TYPE)  
1747258 (H-TYPE)

2 MATERIAL : REC HOUSING : HIGH HEAT-RESISTED RESIN, NYLON  
REC. CONTACT : COPPER-ALLOY(t=0.2mm)  
Au PLATING, 0.05~0.127um  
TAIL PLATE : COPPER-ALLOY(t=0.2mm)  
MATTE TIN PLATING, 2um Min

△ 3 MISALIGNMENT BETWEEN TAINS AND TAIL PLATE : 0.1mmMAX

WITH BOSS										
	20.95	24.4	21.35	19.5	40	80	5-1747023-3			
WITHOUT BOSS										
	D	C	B	A	n	POS.	PART NO.			
DIMENSION										

CONNECTOR 1747023\* AS SHOW

THIS DRAWING IS A CONTROLLED DOCUMENT.				DWN		 TE Connectivity					
DIMENSIONS: 単位： 耗 MM				TOLERANCES UNLESS OTHERWISE SPECIFIED: 一般公差		CHK		NAME 名称			
				0 PLC ± 0.2		APVD		ON TAPING (EMBOSS)			
				1 PLC ± 0.2		PRODUCT SPEC		0.5mm PITCH FINE MATE CONN.			
				2 PLC ± 0.2		製品規格		RECEPTACLE ASSEMBLY WITH KEY&BOSS			
				3 PLC ± 0.2		108-5496		SIZE		CAGE CODE	
MATERIAL 材料				FINISH 仕上		APPLICATION SPEC 取付適用規格		4:1		RESTRICTED TO	
				4 PLC ± 0.2		WEIGHT 1		A300779		G-1747022	
				ANGLES ± 3'		CUSTOMER DRAWING				SCALE 尺度 4:1	
										SHEET 4 OF 4	
										REV B2	