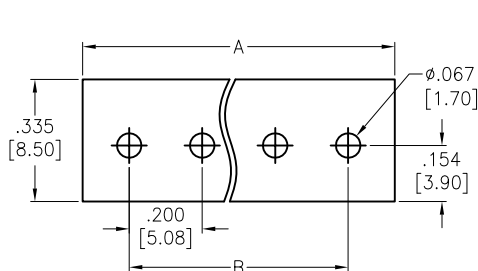
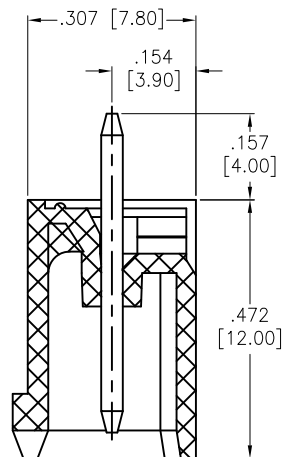
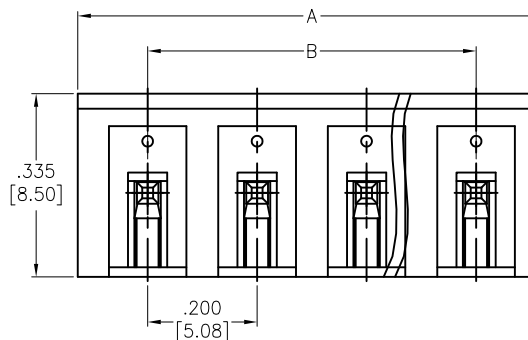


APPROVED: _____
 DATE: _____ TITLE: _____

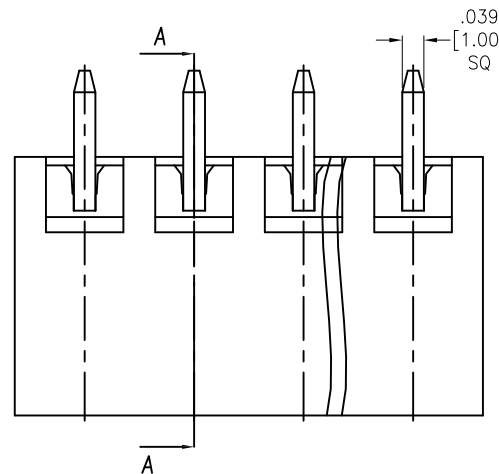
Rev	AWO #	Description	Date	Appr
-		RELEASED	08/01/13	
A		UPDATED SPEC.	7/20/15	HR/AY
B		UPDATE DRAWING	9/13/18	AY/DH



RECOMMENDED PCB LAYOUT



SECTION A-A



Positions: 02 thru 24

A = .200 [5.08] x No. of Positions + .055 [1.40]

B = .200 [5.08] x No. of Spaces

SPECIFICATIONS:

Material:
 Insulator: PA66, rated UL 94V-0
 Insulator color: Green
 Contact: Brass, Tin plated.
 Electrical:
 Voltage rated: 300 VAC
 Current rated: 15 Amp
 Contact resistance: 20 mohms max
 Insulation resistance: 500 Mohms min @ 500 VDC
 Dielectric withstanding voltage: 2,000 VAC for 1 minute
 Temperature Rating:
 -40°C to +105°C
 Environmental:
 Lead free, RoHS compliant.



UNLESS OTHERWISE SPECIFIED ALL DIMENSIONS ARE MM [INCHES] TOLERANCES: EXCEPT AS NOTED INCHES HOLES .X ±.10 Ø.X ±.10 .XX ±.020 Ø.XX ±.015 .XXX ±.015 Ø.XXX ±.010		ADAM TECH INTERCONNECTS		909 Rahway Avenue, Union, NJ 07083 Phone: 908-687-5000 Fax: 908-687-5710	
				TITLE TERMINAL BLOCK, SOCKETS .200 [5.08] PITCH VERTICAL, CLOSE TYPE	
APPROVALS		DATE		REV.	
DRAWN	AY	10/17/13		SIZE	PART NO.
CHECKED	NP	10/17/13		X	EBPA-XX-D-C
APPROVED				REF:	S00067C
				SCALE:	NTS
				SHEET 1 OF 1	