

# RAD-ISM-900-ANT-YAGI-6.5-N - Antenna



2867814

<https://www.phoenixcontact.com/us/products/2867814>

Please be informed that the data shown in this PDF document is generated from our online catalog. Please find the complete data in the user documentation. Our general terms of use for downloads are valid.

Directional antenna, 868 MHz / 900 MHz, gain: 8.5 dBi, polarization: linear, opening angle: h/v 100°/62°, degree of protection: IP65, connection: N (female), incl. mounting bracket and mast clips



## Your advantages

- For large distances
- For point-to-point connections

## Commercial data

Item number	2867814
Packing unit	1 pc
Sales key	DN23
Product key	DNC6A3
Catalog page	Page 390 (C-6-2019)
GTIN	4017918976699
Weight per piece (including packing)	1,321.1 g
Weight per piece (excluding packing)	1,236 g
Customs tariff number	85177100
Country of origin	US

# RAD-ISM-900-ANT-YAGI-6.5-N - Antenna



2867814

<https://www.phoenixcontact.com/us/products/2867814>

## Technical data

### Product properties

Product type	Antenna
Gain	8.5 dBi
Vertical beamwidth	62 °
Horizontal beamwidth	100 °
Polarization	Linear vertical or horizontal

### Electrical properties

Frequency band	900 MHz
Frequency range	868 MHz ... 960 MHz
Impedance	50 Ω

### Connection data

#### Connection technology

Connection method	N (female) with cable (0.6 m)
Outside diameter	32 mm ... 60 mm (Mast)

### Dimensions

Width	60.5 mm
Height	172 mm
Length	304.8 mm

#### External dimensions

Outside diameter	32 mm ... 60 mm (Mast)
------------------	------------------------

### Material specifications

Material	Aluminum
	V2A
	V2A

### Cable/line

Cable length	0.60 m
Connecting cable	yes

### Environmental and real-life conditions

#### Ambient conditions

Degree of protection	IP65
Ambient temperature (operation)	-40 °C ... 80 °C
Wind velocity	15.4321 km/h

### Mounting

Mounting type	Mast mounting
---------------	---------------

# RAD-ISM-900-ANT-YAGI-6.5-N - Antenna



2867814

<https://www.phoenixcontact.com/us/products/2867814>

Connection method	N (female) with cable (0.6 m)
-------------------	-------------------------------

# RAD-ISM-900-ANT-YAGI-6.5-N - Antenna

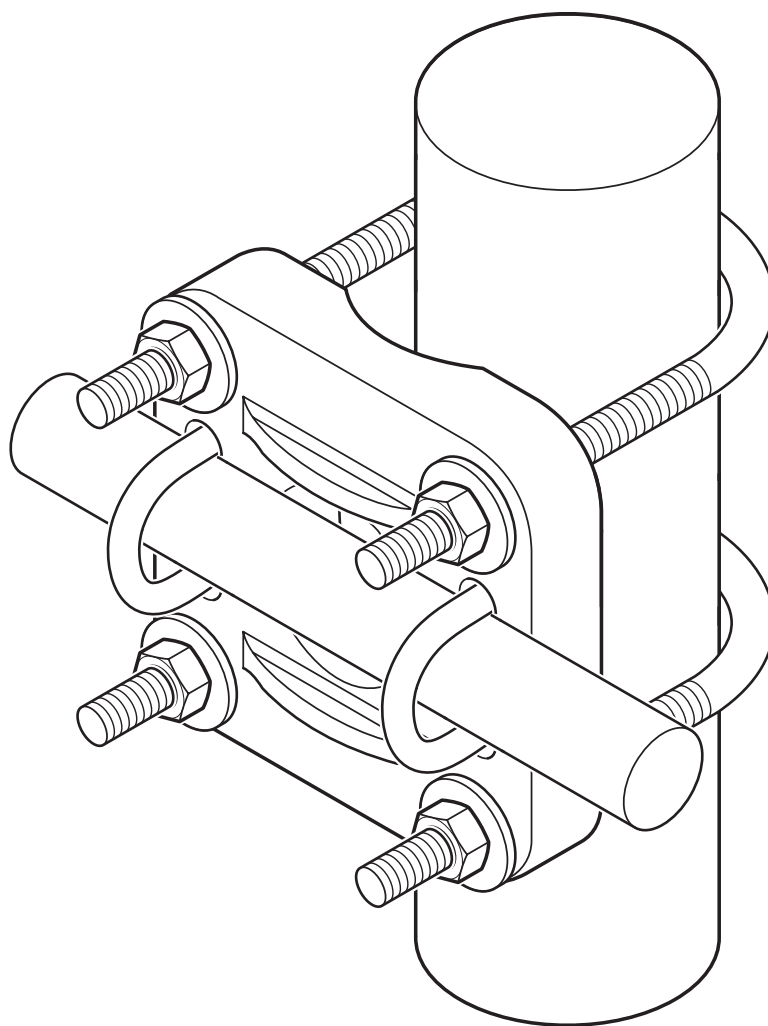


2867814

<https://www.phoenixcontact.com/us/products/2867814>

## Drawings

Schematic diagram



Mast mounting

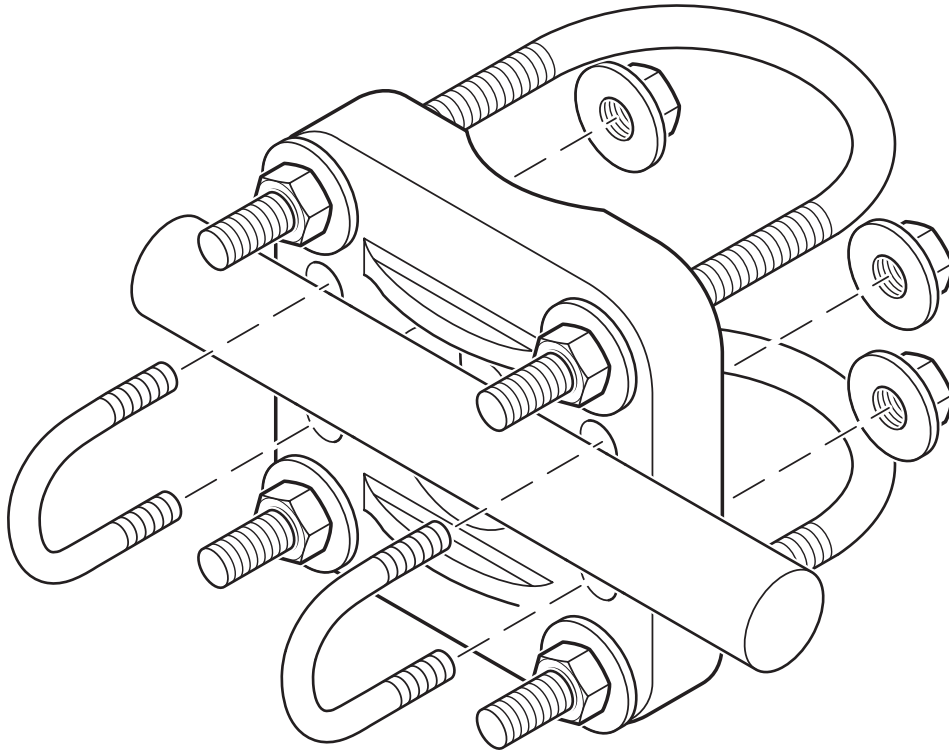
# RAD-ISM-900-ANT-YAGI-6.5-N - Antenna



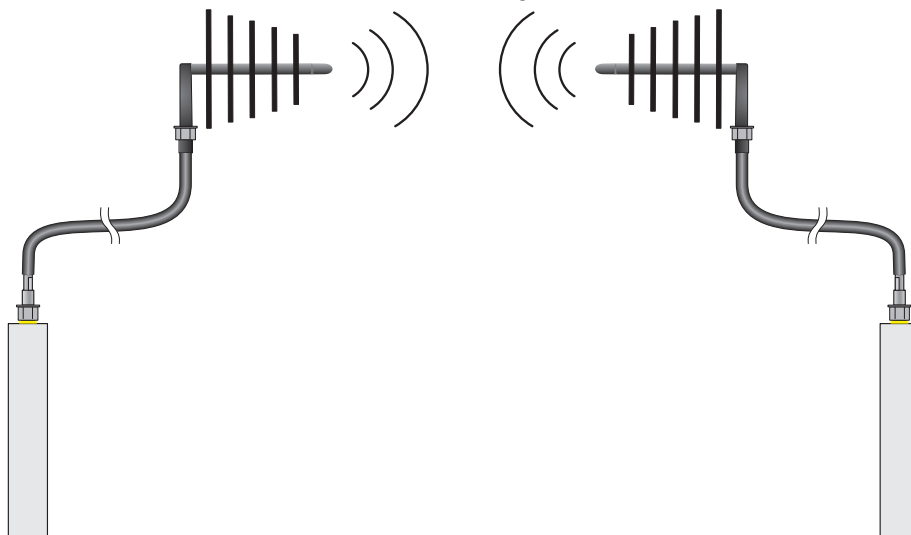
2867814

<https://www.phoenixcontact.com/us/products/2867814>

Schematic diagram



Schematic diagram



# RAD-ISM-900-ANT-YAGI-6.5-N - Antenna



2867814

<https://www.phoenixcontact.com/us/products/2867814>

## Classifications

### ECLASS

ECLASS-11.0	19070105
ECLASS-12.0	19070105
ECLASS-13.0	19070105

### ETIM

ETIM 9.0	EC001698
----------	----------

### UNSPSC

UNSPSC 21.0	43223100
-------------	----------

# RAD-ISM-900-ANT-YAGI-6.5-N - Antenna



2867814

<https://www.phoenixcontact.com/us/products/2867814>

## Environmental product compliance

REACH SVHC	Lead 7439-92-1
China RoHS	Environmentally Friendly Use Period = 50 years
	For information on hazardous substances, refer to the manufacturer's declaration available under "Downloads"

Phoenix Contact 2024 © - all rights reserved  
<https://www.phoenixcontact.com>

Phoenix Contact USA  
586 Fulling Mill Road  
Middletown, PA 17057, United States  
(+717) 944-1300  
[info@phoenixcon.com](mailto:info@phoenixcon.com)