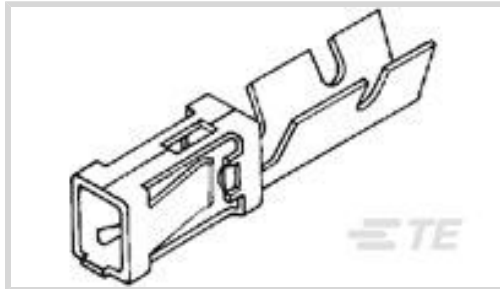




Connectors > Contacts > Connector Contacts



Contact Type: **Socket**

Contact Mating Area Plating Material: **Tin**

Wire Size: **.3 – .9 mm<sup>2</sup>**

Contact Base Material: **Phosphor Bronze**

### Features

#### Product Type Features

Applied Pressure	Standard
------------------	----------

#### Electrical Characteristics

Insulation Resistance	5000 MΩ
Dielectric Withstanding Voltage (Max)	1200 V
Contact Resistance	12 mΩ

#### Contact Features

PCB Contact Termination Area Plating Material Thickness	.4064 μm[16 μin]
Contact Mating Area Plating Material Thickness	.4064 μm[16 μin]
Contact Orientation	Straight
PCB Contact Termination Area Plating Material	Tin
Contact Type	Socket
Contact Mating Area Plating Material	Tin
Contact Base Material	Phosphor Bronze
Contact Current Rating (Max)	5 A

#### Termination Features

Product Terminates To	Wire & Cable
-----------------------	--------------

#### Mechanical Attachment

Wire Insulation Support	With
PCB Mount Retention	Without



**Dimensions**

Compatible Insulation Diameter Range	1.3 – 2.29 mm [.051 – .09 in]
Wire Size	.3 – .9 mm <sup>2</sup>

**Usage Conditions**

Operating Temperature Range	-65 – 105 °C [-85 – 221 °F]
-----------------------------	-----------------------------

**Operation/Application**

Circuit Application	Signal
---------------------	--------

**Packaging Features**

Packaging Quantity	1000
Packaging Method	Loose Piece

**Product Compliance**

[For compliance documentation, visit the product page on TE.com>](#)

EU RoHS Directive 2011/65/EU	Compliant
EU ELV Directive 2000/53/EC	Compliant
China RoHS 2 Directive MIIT Order No 32, 2016	No Restricted Materials Above Threshold
EU REACH Regulation (EC) No. 1907/2006	Current ECHA Candidate List: JUNE 2023 (235) Candidate List Declared Against: JUNE 2023 (235) Does not contain REACH SVHC
Halogen Content	Low Halogen - Br, Cl, F, I < 900 ppm per homogenous material. Also BFR/CFR/PVC Free
Solder Process Capability	Wave solder capable to 265°C

Product Compliance Disclaimer

This information is provided based on reasonable inquiry of our suppliers and represents our current actual knowledge based on the information they provided. This information is subject to change. The part numbers that TE has identified as EU RoHS compliant have a maximum concentration of 0.1% by weight in homogenous materials for lead, hexavalent chromium, mercury, PBB, PBDE, DBP, BBP, DEHP, DIBP, and 0.01% for cadmium, or qualify for an exemption to these limits as defined in the Annexes of Directive 2011/65/EU (RoHS2). Finished electrical and electronic equipment products will be CE marked as required by Directive 2011/65/EU. Components may not be CE marked. Additionally, the part numbers that TE has identified as EU ELV compliant have a maximum concentration of 0.1% by weight in homogenous materials for lead, hexavalent chromium, and mercury, and 0.01% for cadmium, or qualify for an exemption to these limits as defined in the Annexes of Directive 2000/53/EC (ELV). Regarding the REACH Regulation, the information TE provides on SVHC in articles for this part number is based on the latest European Chemicals Agency (ECHA) 'Guidance on requirements for substances in articles' posted at this URL: <https://echa.europa.eu/guidance-documents/guidance-on-reach>

## Compatible Parts



TE Part # 843473-1  
EXTRACTION TOOL



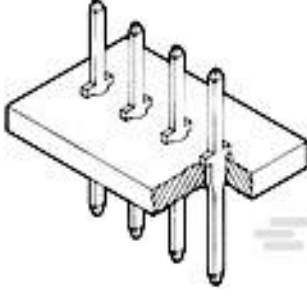
TE Part # 1-87159-0  
10 MODI CRMP S-I HSG SR .156CL



TE Part # 87159-4  
03 MODI CRMP S-I HSG SR .156CL



TE Part # 1-87159-2  
12 MODI CRMP S-I HSG SR .156CL



TE Part # 3-5086147-7  
MOD I POST PLTD SN, ROHS



TE Part # 6-87160-1  
10 MODI HDR SRST .156CL, ROHS



TE Part # 87159-1  
05 MODI CRMP S-I HSG SR .156CL



TE Part # 87159-3  
02 MODI CRMP S-I HSG SR .156CL



TE Part # 87159-5  
04 MODI CRMP S-I HSG SR .156CL



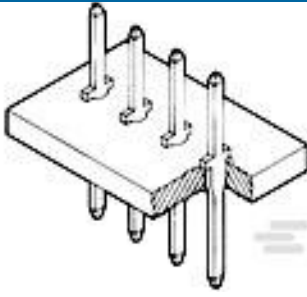
TE Part # 87159-6  
06 MODI CRMP S-I HSG SR .156CL



TE Part # 87159-7  
07 MODI CRMP S-I HSG SR .156CL



TE Part # 87159-8  
08 MODI CRMP S-I HSG SR .156CL



TE Part # 1-5086147-0  
MOD I POST PLTD SN, ROHS



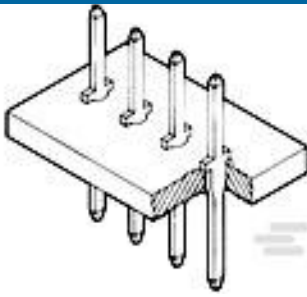
TE Part # 1-87159-3  
14 MODI CRMP S-I HSG SR .156CL



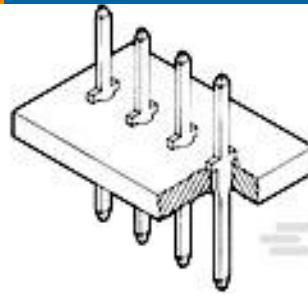
TE Part # 1-87159-4  
15 MODI CRMP S-I HSG SR .156CL



TE Part # 1-87159-9  
20 MODI CRMP S-I HSG SR .156CL



TE Part # 2-5086147-2  
MOD I POST PLTD SN, ROHS



TE Part # 2-5086182-2  
MOD I POST LP, ROHS



TE Part # 5-85875-3  
09 MODI HDR SRST .156CL, ROHS

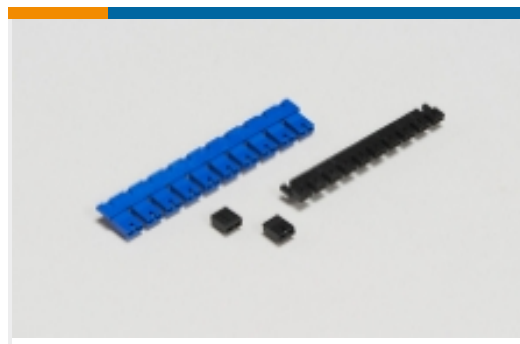


TE Part # 5-87160-4  
02 MODI HDR SRST .156CL, ROHS

Also in the Series | **AMPMODU MOD 1**



Automotive Terminals(4)



Board-to-Board Jumpers & Shunts(5)



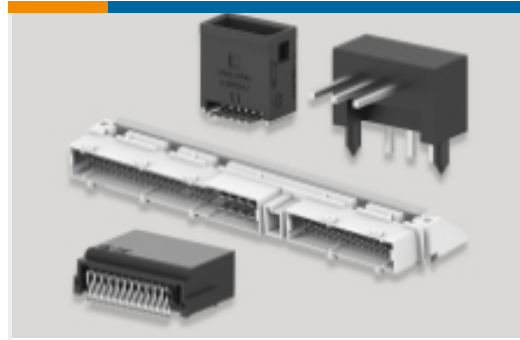
Connector Contacts(108)



Connector Hardware(2)



Insertion & Extraction Tools(1)



PCB Headers & Receptacles(341)



Wire-to-Board Connector Assemblies & Housings(32)

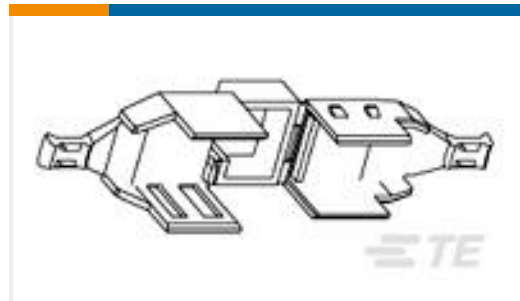
## Customers Also Bought



TE Part #2-5332070-9  
SOCKET,MIN-SPR W/H SN-AU SER-4



TE Part #350738-4  
15P UMNL PIN HDR ASSY 94VO LF



TE Part #1375618-1  
06P DUAC STRAIN RELIEF



TE Part #1761686-3  
IDC LOW PRO HDR 10P VERT LG LAT



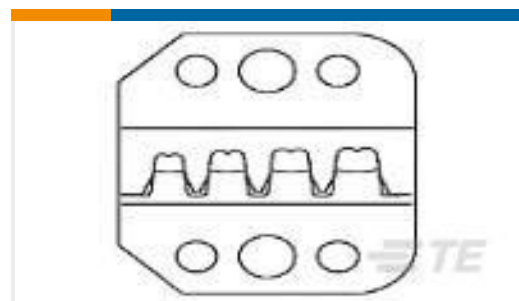
TE Part #1-1617004-0  
B07D034BC2-0053 = M5757/23-005



TE Part #1617031-1  
HFW1201K00 = HFW 1/2 SIZE RELA



TE Part #1617030-2  
HFW1201B00 = HFW 1/2 SIZE RELA



TE Part #58517-4  
PRO-CRIMPER II DIE SET



TE Part #87159-3  
02 MODI CRMP S-I HSG SR .156CL

## Documents





### CAD Files

#### 3D PDF

3D

#### Customer View Model

[ENG\\_CVM\\_CVM\\_102103-3\\_W.2d\\_dxf.zip](#)

English

#### Customer View Model

[ENG\\_CVM\\_CVM\\_102103-3\\_W.3d\\_igs.zip](#)

English

#### Customer View Model

[ENG\\_CVM\\_CVM\\_102103-3\\_W.3d\\_stp.zip](#)

English

By downloading the CAD file I accept and agree to the [Terms and Conditions](#) of use.

### Datasheets & Catalog Pages

[AMPMODU\\_INTERCONNECTION\\_SYSTEM\\_SECTION\\_6\\_7AND8](#)

English

### Product Specifications

[Application Specification](#)

English

[AMPMODU Mod I Receptacle Crimp Contact](#)

English

### Instruction Sheets

[Instruction Sheet \(U.S.\)](#)

English