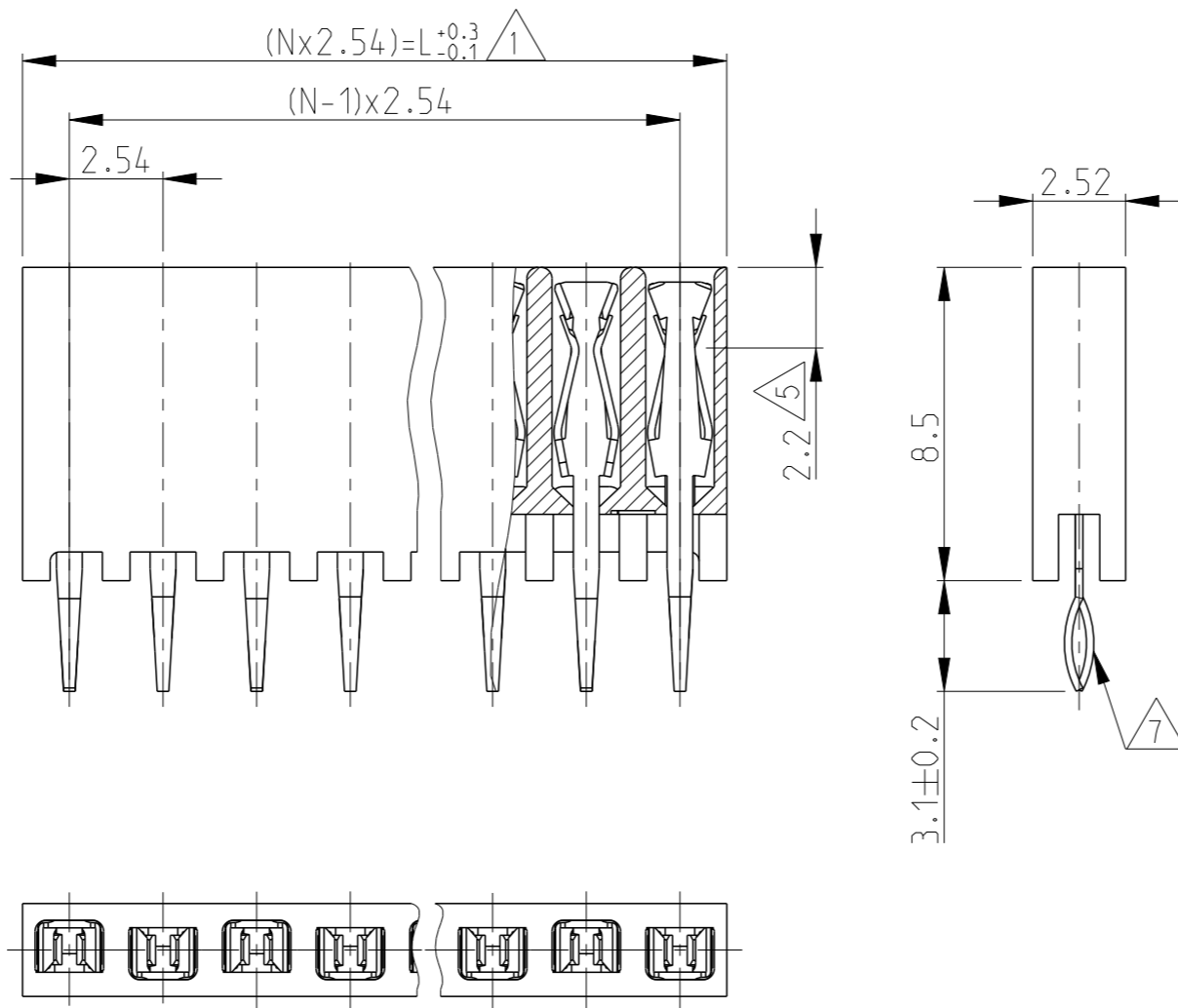


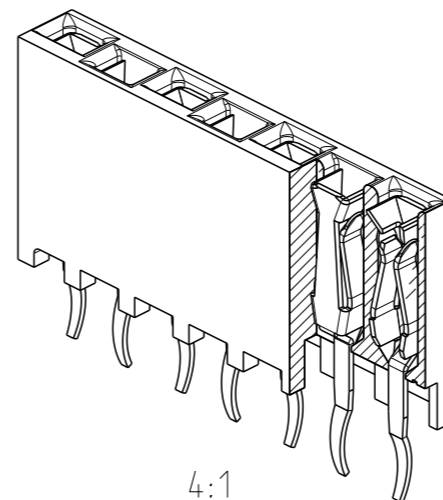
P	LTR	DESCRIPTION	DATE	DWN	APVD
F		PLASTIC MATERIAL SUPPLIER CHANGE	20MAR2019	SS	PS
G		PLASTIC MATERIAL COLOR CHANGE	19MAR2023	AJK	SPS

POS.	L	PART-NO.	ASSEMBLY
2	5.08	215299	-2
3	7.62		-3
4	10.16		-4
5	12.70		-5
6	15.24		-6
7	17.78		-7 OBSOLETE
8	20.32		-8
9	22.86		-9 OBSOLETE
10	25.40	1-	-0
11	27.94	4-	-1 OBSOLETE
12	30.48	1-	-2
13	33.02	4-	-3 OBSOLETE
14	35.56	1-	-4
15	38.10	4-	-5 OBSOLETE
16	40.64	1-	-6
17	43.18	4-	-7 OBSOLETE
18	45.72	1-	-8
19	48.26	4-	-9 OBSOLETE
20	50.80	2-	-0
21	53.34	2-	-1
22	55.88	2-	-2
23	58.42	2-	-3
24	60.96	2-	-4 OBSOLETE
25	63.50	2-	-5 OBSOLETE
26	66.04	2-	-6 OBSOLETE
27	68.58	2-	-7
28	71.12	2-	-8
29	73.66	2-	-9
30	76.2	3-	-0 OBSOLETE
31	78.74	3-	-1 OBSOLETE
32	81.28	3-	-2
33	83.82	3-	-3
34	86.36	3-	-4
35	88.90	3-	-5
36	91.44	3- 215299	-6 OBSOLETE



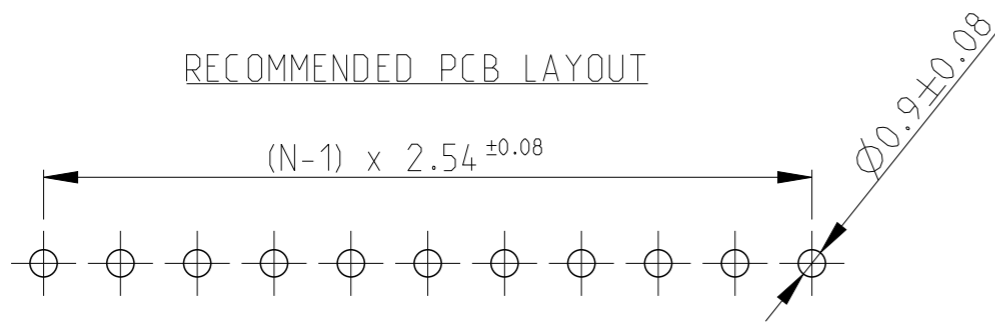
NOTES:

- 1 TO DETERMINE DIMENSIONS TAKE N = NR. OF POS.  
FOR EXAMPLE: 10 POS; N x 2.54= 25.4mm  
FOR ORDER NO: USE BASIC - NR. + NR. OF POS.  
FOR EXAMPLE: 2POS. = 215299-2 (SHORTEST VERSION)  
36POS. =3-215299-6 (LONGEST VERSION)
- 2 HOUSING MATERIAL: PBT BLACK GLASS FILLED, UL 94V-0  
CONTACT MATERIAL: PHOSPHOR BRONZE
- 3 PLATING: UNDERCOATING: 1.3µm Ni  
AT CONT. PLACE: 0.8µm Au  
AT SOLDER-TYNES: 3.0µm-5.0µm Sn
- 4 MATES WITH 0.63 SQUARE/ROUND MODU POSTS
- 5 CONTACT POINT
- 6 RECOMMENDED PC BOARD THICKNESS: 1.6mm
- 7 PC-BOARD RETENTION FEATURE
- 8 HV100 CONNECTOR PACKED IN ANTI-STATIC BLISTER TRAY



4:1

RECOMMENDED PCB LAYOUT



THIS DRAWING IS A CONTROLLED DOCUMENT.		DWN L.V.D.HEYDEN 09 JUL 1986			
DIMENSIONS: mm		CHK W.SIMONS			
TOLERANCES UNLESS OTHERWISE SPECIFIED: ±0.15		APVD L.V.SQEST	NAME HV100; VERTICAL; 8.5mm TOP ENTRY; SINGLE ROW; GOLD		
0 PLC ±		PRODUCT SPEC 108-19056	SIZE A3	CAGE CODE 00779	DRAWING NO C=215299
1 PLC ±		APPLICATION SPEC -	RESTRICTED TO		
2 PLC ±		WEIGHT -	SCALE 5:1 SHEET 1 OF 1 REV G		
3 PLC ±		CUSTOMER DRAWING			
4 PLC ±					
ANGLES ±					
MATERIAL 2					
FINISH 3					