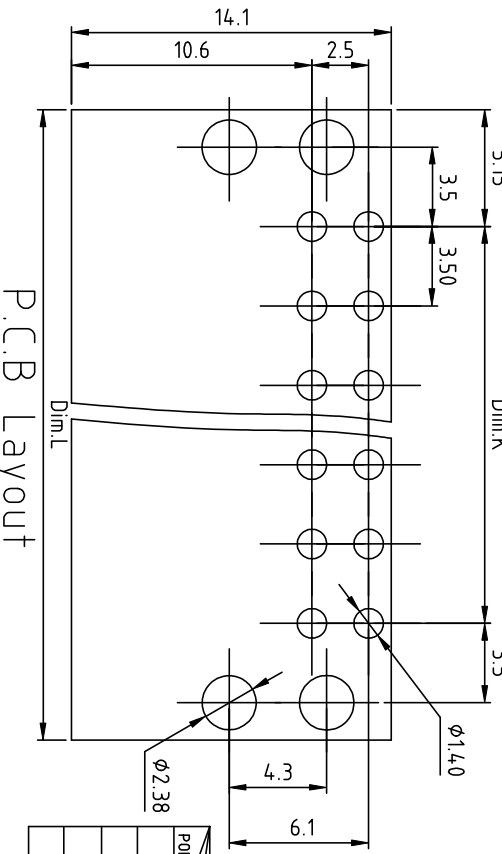
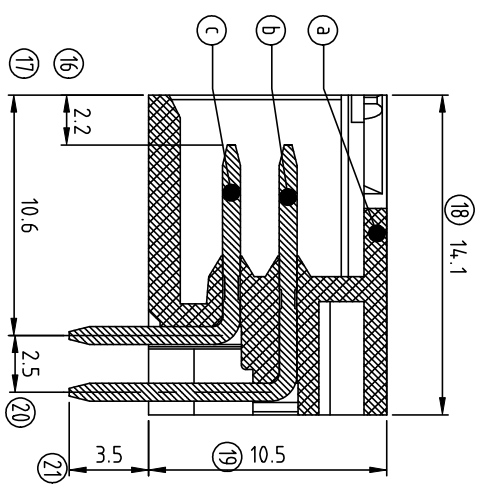
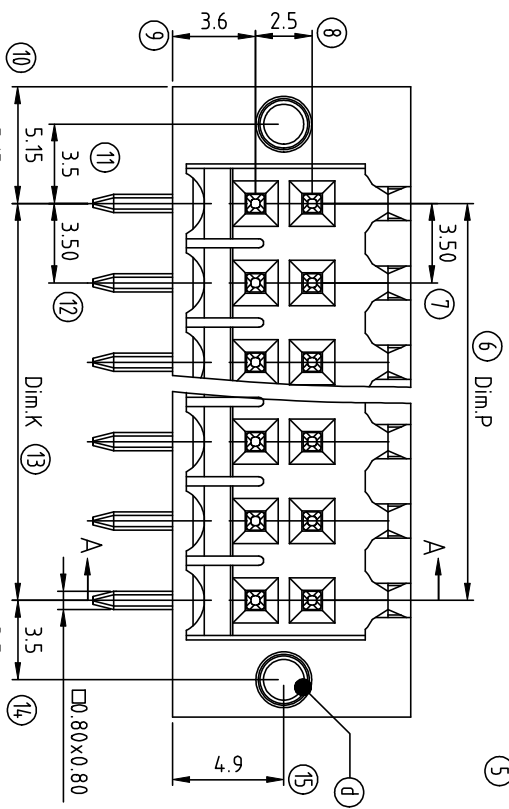
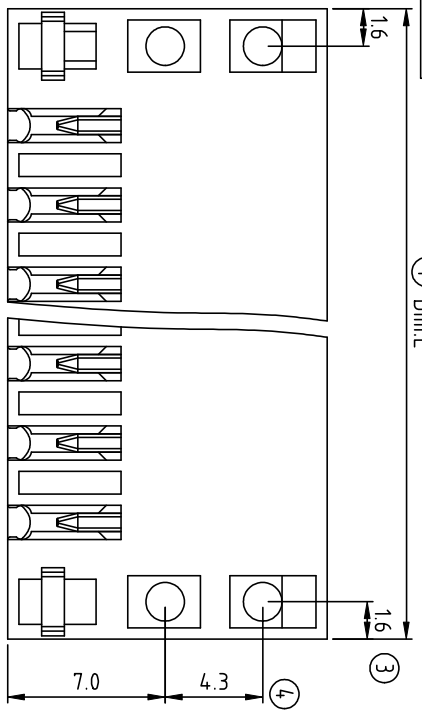


RoHS Compliant



POLES	Tol	Dim.	Dim.L	Dim.P	Dim.k
2x2p-2x6p			±0.15	±0.10	±0.10
2x7p-2x12p			±0.25	±0.20	±0.20
2x13p-2x18p			±0.35	±0.30	±0.30
2x19p-2x24p			±0.40	±0.35	±0.35

N=Number of poles

DimL=(N/2-1)×3.5+10.3
 DimP=(N/2-1)×3.5
 DimK=(N/2-1)×3.5

VER	SIGN	DATE	DESCRIPTION	APPROVER
C	Δ	04/25'11	Material is changed	Chen Bo
	Δ	05/17-18	Increase DIM. K dimension tolerance table.	zhangcan
	Δ	05/17-18	Add RoHS compliant	zhangcan
D	Δ	05/17-18	Increase the version number.	zhangcan

THIS IS CAD DRAWING, DO NOT REVISE MANUALLY!!!

Material:

- Item ① Terminal housing: PA66 (UL94V-0)
 - Item ② Male contact long pin: Brass, Tin plated
 - Item ③ Male contact short pin: Brass, Tin plated
 - Item ④ With flange nut: Brass, Nickel plated, M2.0
- Electrical:
- Voltage rating: 150V
 - Current rating: 7 A
 - Withstanding Voltage: 1.3KV
 - Operating temperature: -40°C to +115°C
 - Soldering temperature: 250°C±10°C/5 Sec
 - Safety Approval:



V X XX 1 2 X 1 XXXX G

NO of plose

04	2x2 CONTACTS	0	Black	0000 Standard @ Logo
06	3x2 CONTACTS	3	Orange	000A Standard ANY Logo
...	...	5	Green	Any special item by customer request,
48	24x2 CONTACTS	6	Blue	please contact sales department.
		8	Grey	

Pb<4.0,000ppm
 RoHS

ANYTEK

CUSTOMER COPY

ALL RIGHTS RESERVED. REPRODUCTION OR ISSUE TO THIRD PARTIES IN ANY FORM WHATSOEVER IS NOT PERMITTED WITHOUT WRITTEN AUTHORITY FROM THE PROPRIETOR. PROPERTY OF ANYTEK TECHNOLOGY CO., LTD

TITLE	VX 3.5mm Series With flange Right-angle		DWG NO.	8VX0001	Tolerance
PART NO.	VXxxx12x1xxxxG		CUST. NO.		X.X ±0.50
CHECKED	DESIGNED	DRAWN			X.X ±0.30
zhangcan	Chen Bo				X.XX ±0.10
05/17-18	2011.04.25				X° ±1°
			SHEET: 01/01	REV.: D	