

NOTES:

General Note:

1. All assemblies must be 100% tested for VSWR
2. No component substitutions are permitted

Mechanical Note:

1. Overall Height: 84 mm from G.P.
2. Weight: 6.0 oz
3. IP Rating: IP67
4. Operating temp: -30C to +80C
5. Color: Black
6. Mounting: Permanent Mount (See "Recommended Mounting Conditions")
7. Installation Torque: 4 - 6 ft*lbs on Nut

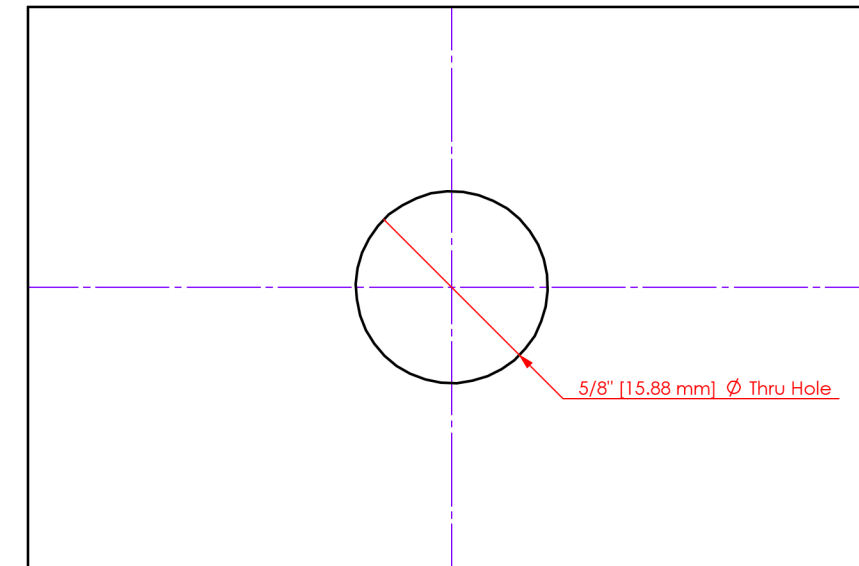
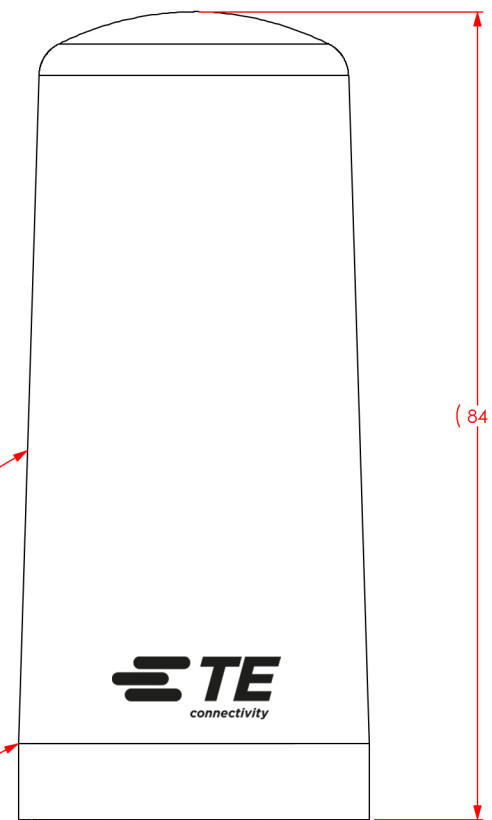
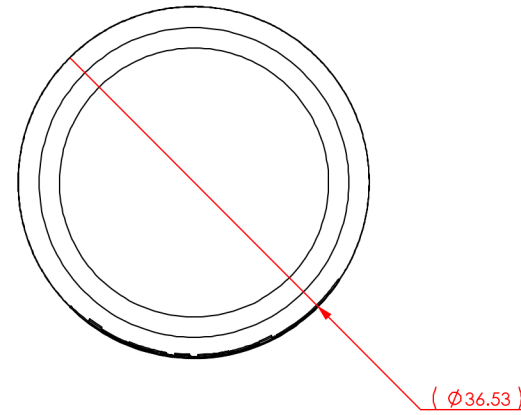
Electrical Note:

1. Frequency Range: 806 - 896 MHz; 1850 - 1990 MHz; 2500 - 2700 MHz
2. VSWR: ≤2:1
3. Nominal Impedance: 50 OHM
4. Gain (dBi): 3 dBi
5. Polarization: Vertical
6. Pattern: Omnidirectional
7. Ground Plane: Tested on 2' x 2' G.P.

Packaging Note:

1. TE Part Number: TRA8063M3PB-001
2. Package: S1136
3. Units per Package: 1
4. Package Label: Printed Bag
5. Box: N/A
6. Units per Box: N/A
7. Box Label: N/A

REVISIONS					
ZONE	REV.	DESCRIPTION	DATE	DRAWN BY	ECR NUMBER
	A	Initial Release	1/26/2012	BPH	N/A



High Strength Impact Resistant ABS Radome

Rugged Insert Molded Design

O-ring must be in place during installation and must get full compression on the ground plane or surface

Permanent Mount with Hardware Standard N-Female Termination

Protective cap during shipping Remove before installation

Recommended Mounting Conditions:
Metallic surface should be as flat and clean as possible
Hole should be centered as much as possible



THIS DRAWING IS UNPUBLISHED.	RELEASED FOR PUBLICATION
© Copyright 2022 TE Connectivity Ltd.	ALL RIGHTS RESERVED.

MATERIAL: N/A		THIRD ANGLE PROJECTION
FINISH: N/A		
APPROVALS	DATE	INTERPRET DIMENSIONING AND TOLERANCING IN ACCORDANCE WITH ASME Y14.5M-1994 DO NOT SCALE DRAWING TOLERANCES UNLESS OTHERWISE SPECIFIED DIMENSIONS ARE IN MILLIMETERS ANGLE: ±30' 0 PLACE DECIMAL: ±0.5 1 PLACE DECIMAL: ±0.25 2 PLACE DECIMAL: ±0.13
ME: BPH		
RF: #/A		
EM:		
Prod:		

		TITLE:	OMNI, Ph, 806/1850/2500 MHz, 3 dBi, 100W, PMNT
		SIZE DWG NO.	A2 TRA8063M3PB-001 - MO
WEIGHT:	PREVIOUS#	SCALE:	SHEET 1 OF 1