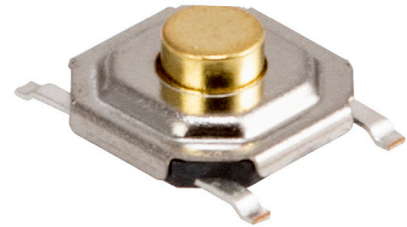


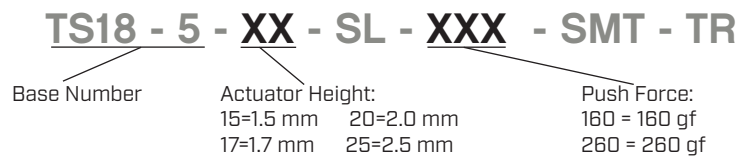
**SERIES:** TS18 | **DESCRIPTION:** TACTILE SWITCH

**FEATURES**

- surface mount
- 1.5-2.5 mm actuator height options
- 160-260 gf push force options


**SPECIFICATIONS**

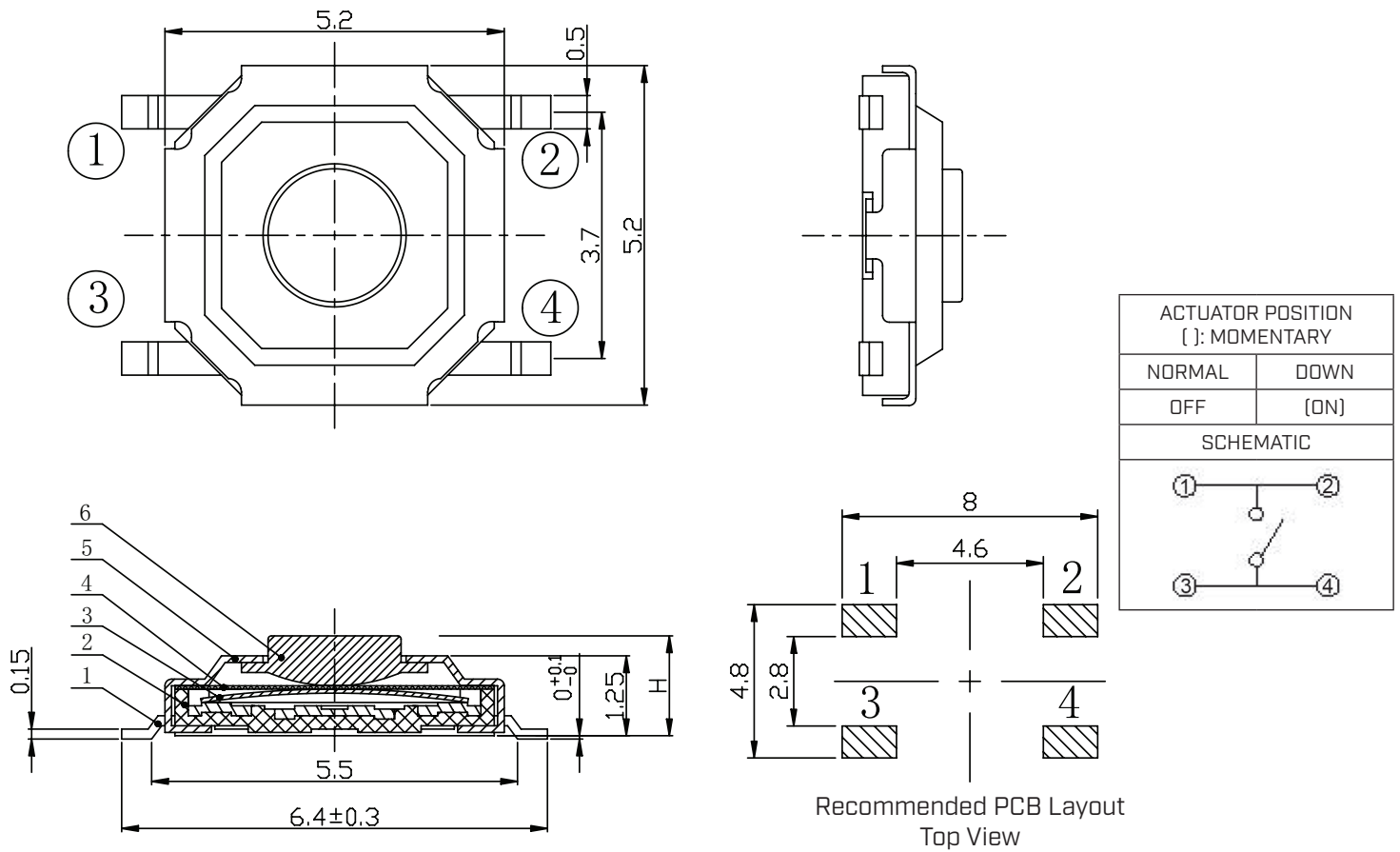
parameter	conditions/description	min	typ	max	units
rated voltage		1		12	Vdc
rated current		0.01		50	mA
withstanding voltage	for 1 minute		250		Vac
contact resistance	applying load of 2 times operating force at 5 Vdc, 10 mA			100	mΩ
insulation resistance	at 100 Vdc for 1 minute	100			MΩ
operating force	see force table				
actuator travel		0.10	0.20	0.30	mm
operating temperature		-30		80	°C
storage temperature		-40		90	°C
life	rated load, 2 cycles/second, 1.5 times operating force 160 gf models 260 gf models		80,000 60,000		cycles cycles
vibration	10-55-10 Hz, 1.5 mm amplitude, 2 hours on each XYZ				
flammability rating	see material table				
RoHS	yes				

**PART NUMBER KEY**


## MECHANICAL DRAWING

units: mm  
tolerance: ±0.2 mm  
unless otherwise noted

ITEM	DESCRIPTION	MATERIAL	PLATING/COLOR
1	terminals	phosphor copper	silver
2	housing	LCP (UL94V-0)	black
3	contacts	SUS	silver
4	film	PI	yellow
5	cover	SUS	
6	stem	brass	yellow

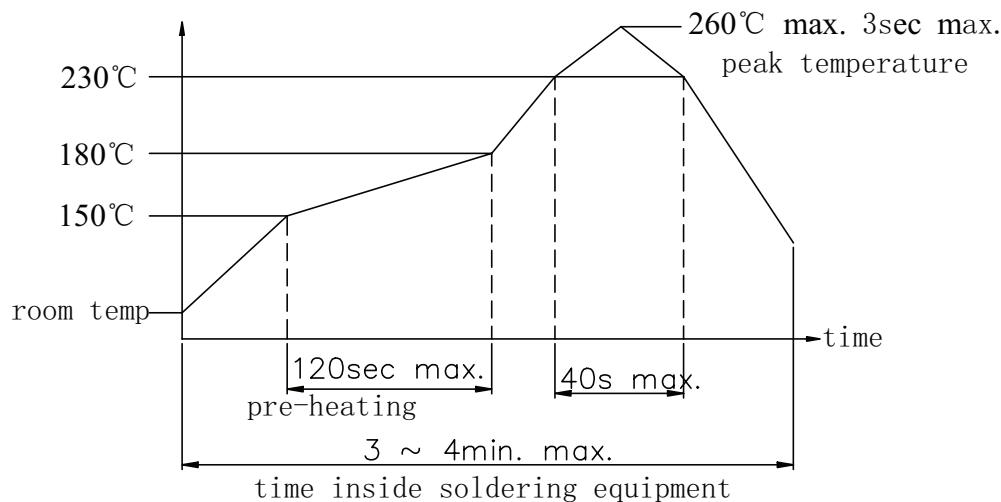


Operating Force Table		
Model	Press Force [gf]	Return Force [gf]
160	160±50	>20
260	260±50	>20

## SOLDERABILITY

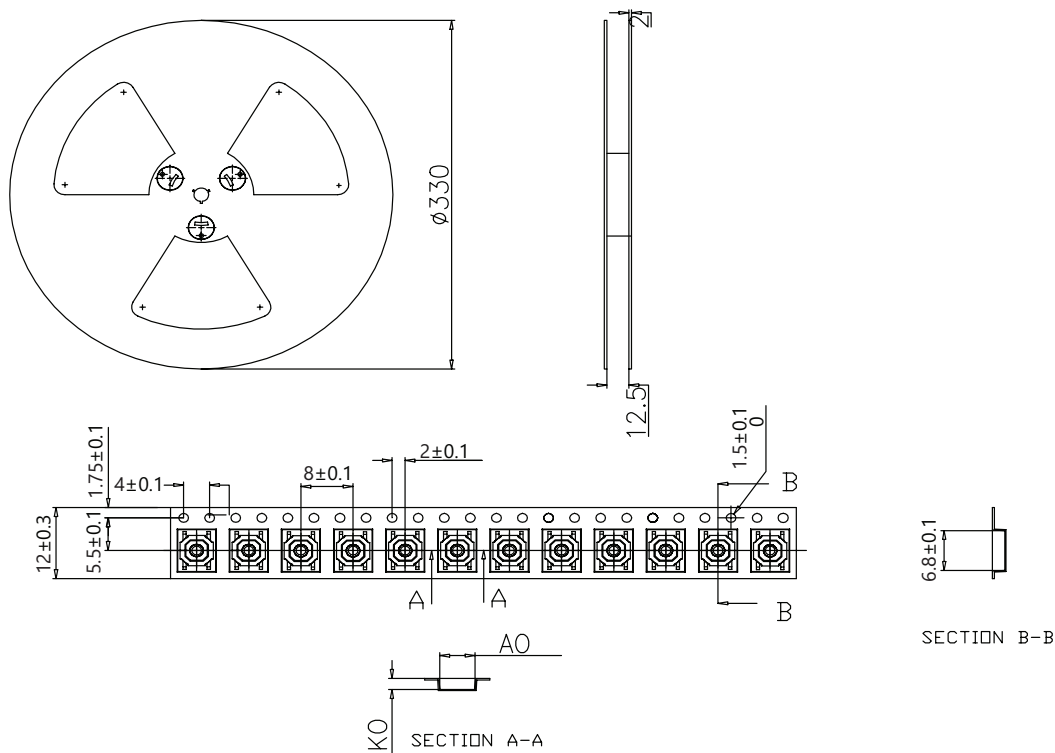
parameter	conditions/description	min	typ	max	units
hand soldering	for maximum 3 seconds			350	°C
reflow soldering <sup>1</sup>	see reflow profile			260	°C

Notes: 1. Do not exceed 2 reflow cycles.



## PACKAGING

Packaging Table					
Actuator Height Models (mm)	Reel QTY	Carton Size [XxYxZ] (mm)	Carton QTY	K0 (mm)	A0 (mm)
1.5	4,000	340 x 430 x 340	80,000	1.8±0.1	5.4±0.1
1.7~2.0	4,000	340 x 430 x 340	80,000	2.05±0.1	5.6±0.1
2.5	3,000	340 x 430 x 340	60,000	2.8±0.1	5.4±0.1



## REVISION HISTORY

rev.	description	date
1.0	initial release	05/10/2022
1.01	logo, datasheet style update	08/05/2022

The revision history provided is for informational purposes only and is believed to be accurate.



CUI Devices offers a one (1) year limited warranty. Complete warranty information is listed on our website.

CUI Devices reserves the right to make changes to the product at any time without notice. Information provided by CUI Devices is believed to be accurate and reliable. However, no responsibility is assumed by CUI Devices for its use, nor for any infringements of patents or other rights of third parties which may result from its use.

CUI Devices products are not authorized or warranted for use as critical components in equipment that requires an extremely high level of reliability. A critical component is any component of a life support device or system whose failure to perform can be reasonably expected to cause the failure of the life support device or system, or to affect its safety or effectiveness.

[cuidevices.com](http://cuidevices.com)