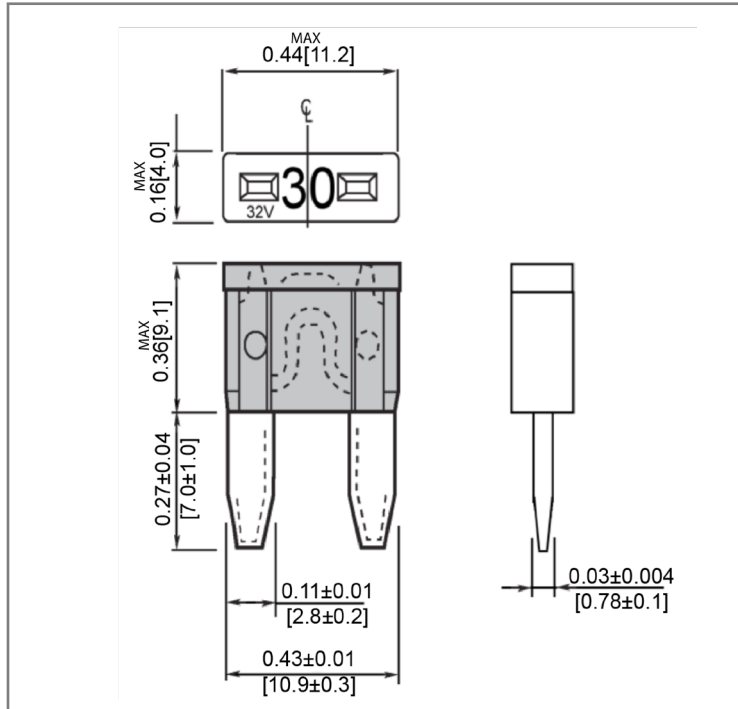
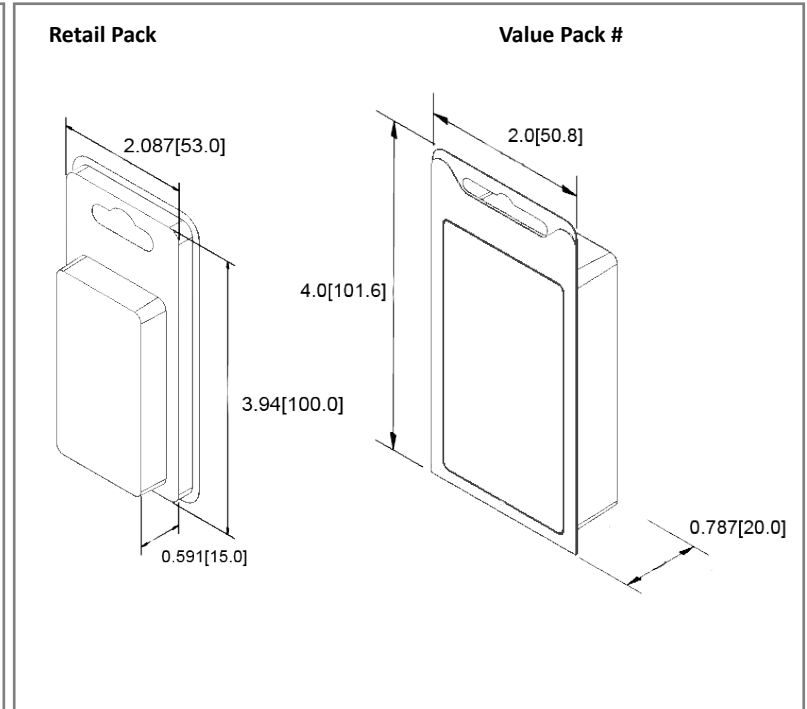


Mechanical Dimensions: Inches [mm]



Retail Pack: Inches [mm]



Part Numbers Information

| Amperage | Body Color | Bulk Part # | Retail Pack # Blister Card | Pack Size | Value Pack # Clamshell | Pack Size |
|----------|------------|-------------|-------------------------------|-----------|---------------------------|-----------|
| 2A | Gray | ANM-2A | ANM-2A-BP | 5 | ANM-2A-VP | 25 |
| 3A | Violet | ANM-3A | ANM-3A-BP | 5 | ANM-3A-VP | 25 |
| 4A | Pink | ANM-4A | ANM-4A-BP | 5 | ANM-4A-VP | 25 |
| 5A | Tan | ANM-5A | ANM-5A-BP | 5 | ANM-5A-VP | 25 |
| 7.5A | Brown | ANM-7.5A | ANM-7.5A-BP | 5 | ANM-7.5A-VP | 25 |
| 10A | Red | ANM-10A | ANM-10A-BP | 5 | ANM-10A-VP | 25 |
| 15A | Blue | ANM-15A | ANM-15A-BP | 5 | ANM-15A-VP | 25 |
| 20A | Yellow | ANM-20A | ANM-20A-BP | 5 | ANM-20A-VP | 25 |
| 25A | Clear | ANM-25A | ANM-25A-BP | 5 | ANM-25A-VP | 25 |
| 30A | Green | ANM-30A | ANM-30A-BP | 5 | ANM-30A-VP | 25 |

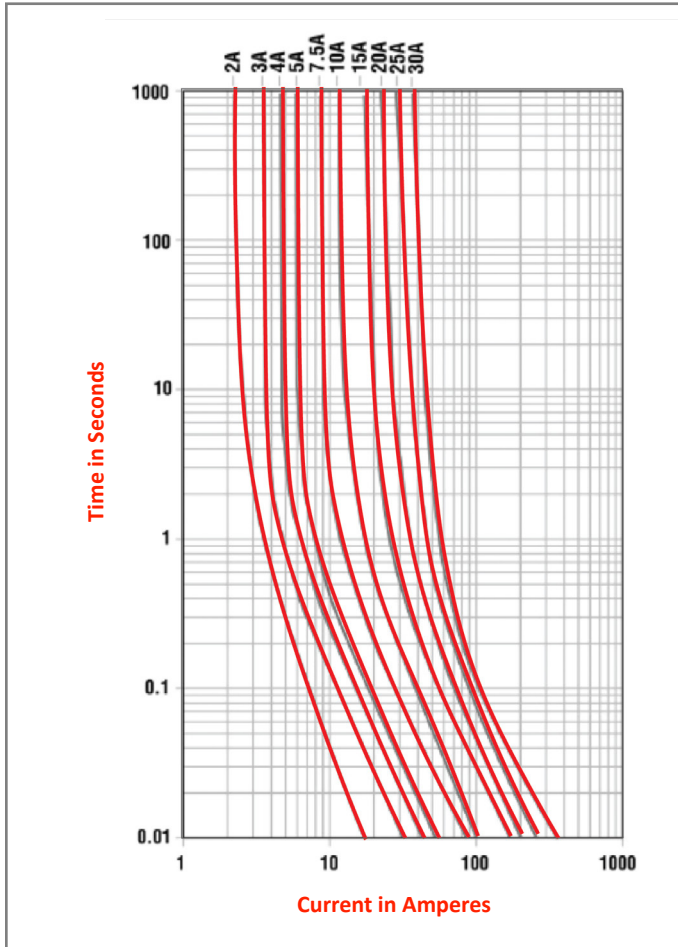
Electrical Specifications

| | |
|----------------------------|----------------|
| Voltage Rating | 32V DC |
| Interrupting Rating | 1000A @ 32 VDC |
| Testing | SAE, ISO 8820 |

Material Specifications

| | |
|------------------|------------|
| Body | PA 66 |
| Terminals | Zinc Alloy |

Time vs. Percent of Rated Current Curve



| % of Rated Current | Current Rating | Min Hold Time | Max Hold Time |
|--------------------|----------------|---------------|---------------|
| 110% | 2-30 Amp | 100 hrs | - |
| 135% | 2-30 Amp | - | 1800s |
| 200% | 2-30 Amp | - | 5s |

Rev **Date of issue** **Revision Notes**

Designed **Approved**

| | | | | |
|---|------------|-----------------|----|----|
| A | 05-30-2023 | Initial Drawing | RC | OF |
|---|------------|-----------------|----|----|