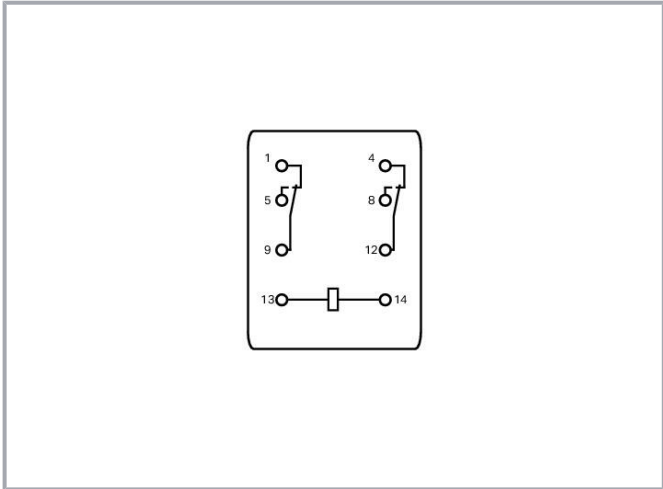


**Data sheet | Item number: 858-189**

Basic relay; Nominal input voltage: 230 VAC; 2 changeover contacts; Limiting continuous current: 12 A; with manual operation; Module width: 22 mm; Module height: 35mm

[www.wago.com/858-189](http://www.wago.com/858-189)



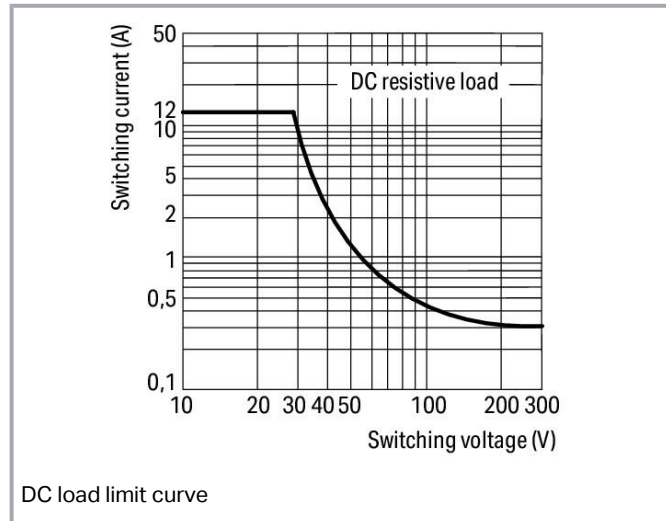
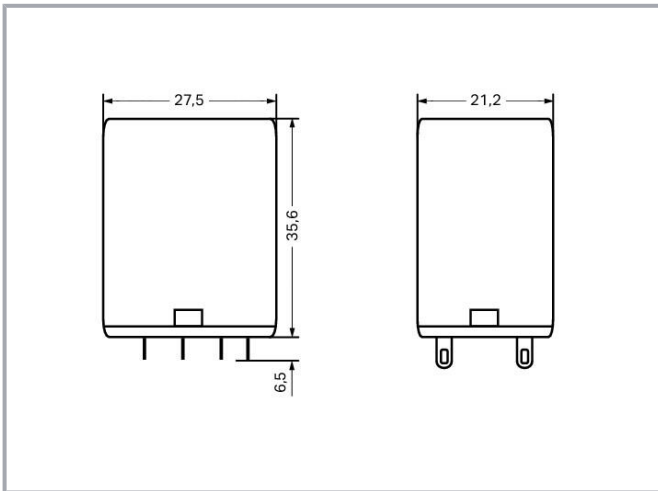
**i** Picture differs from the item.

Similar to picture

Subject to changes. Please also observe the further product documentation!

WAGO GmbH & Co. KG  
Hansastr. 27  
32423 Minden  
Phone: +49571 887-0 | Fax: +49571 887-169  
Email: [info.de@wago.com](mailto:info.de@wago.com) | Web: [www.wago.com](http://www.wago.com)

Do you have any questions about our products?  
We are always happy to take your call at +49 (571) 887-44222.



## Data

### Technical data

### Control circuit

Nominal input voltage $U_N$	AC 230 V
Nominal input current at $U_N$	11 mA

### Load circuit

Number of changeover/switchover contacts	2
Contact material (relay)	AgNi
Limiting continuous current	12 A
Inrush current (resistive) max.	(AC) 24 A / 4 s
Switching voltage (max.)	AC 250 V
Switching power (resistive) max.	AC 3000 VA; DC (see load limit curve)
Switching capacity	AC-15: 1.5 A / AC 240 V; DC-13: 0.1 A / DC 250 V
Recommended minimum load	10 V / 5 mA / 300 mW
Pull-in time (typ.)	10 ms
Drop-out time (typ.)	8 ms
Electrical life (NO; resistive load; 23 °C)	100 x 10 <sup>3</sup> switching operations
Mechanical life	20 x 10 <sup>6</sup> switching operations
Switching frequency with/without load (max.)	20 min <sup>-1</sup> / 200 min <sup>-1</sup>

Subject to changes. Please also observe the further product documentation!



## Signaling

Status indicator	Red LED Mechanical
------------------	-----------------------

## Safety and protection

Dielectric strength (control/load circuit) (AC, 1 min)	2.5 kVrms
Dielectric strength (open contact) (AC, 1 min)	1.5 kVrms
Dielectric strength (load/load circuit) (AC, 1 min)	2.5 kVrms
Protection type	IP20

## Physical data

Width	21.2 mm / 0.835 inches
Height from the surface	35.6 mm / 1.402 inches
Depth	27.5 mm / 1.083 inches

## Mechanical data

Mounting type	Pluggable module
---------------	------------------

## Material data

Weight	31.5 g
--------	--------

## Environmental requirements

Ambient temperature (operation at $U_N$ )	-40 ... +55 °C
Ambient temperature (storage)	-40 ... +85 °C

## Standards and specifications

Standards/specifications	EN 61810-1
--------------------------	------------

## Commercial data

eCl@ss 10.0	27-37-16-01
eCl@ss 9.0	27-37-16-01
ETIM 8.0	EC001437
ETIM 7.0	EC001437
ECCN	NO DATA
PU (SPU)	3 pcs

Subject to changes. Please also observe the further product documentation!



Packaging type	box
Country of origin	DE
GTIN	4055143693264
Customs tariff number	85364900990

**Environmental Product Compliance**

RoHS Compliance Status	Compliant, No Exemption
------------------------	-------------------------

**Downloads****Documentation****Bid Text**

858-189 X81 - Datei	2020 Aug 24	xml 4.8 kB	Download
858-189 docx - Datei	2020 Aug 24	docx 14.9 kB	Download

**Additional Information**

Disposal and Recycling Electrical and electronic equipment, Batteries, Packaging	V 1.1.0 2022 Aug 18	pdf 2.2 MB	Download
-------------------------------------------------------------------------------------	------------------------	---------------	----------

**CAD/CAE-Data****CAE data**

ZUKEN Portal 858-189	URL	Download
EPLAN Data Portal 858-189	URL	Download

**CAD data**

2D/3D Models 858-189	URL	Download
----------------------	-----	----------

**Asset Administration Shell**

Asset Administration Shell 858-189	URL	Download
------------------------------------	-----	----------

Subject to changes. Please also observe the further product documentation!



## Environmental Product Compliance

### Compliance Search

Environmental Product Compliance 858-189

URL

Download

Basic relay; Nominal input voltage: 230 VAC; 2 changeover contacts; Limiting continuous current: 12 A; with manual operation; Module width: 22 mm; Module height: 35mm

---

## Installation Notes

Subject to changes. Please also observe the further product documentation!

---

WAGO GmbH & Co. KG

Hansastr. 27

32423 Minden

Phone: +49571 887-0 | Fax: +49571 887-169

Email: [info.de@wago.com](mailto:info.de@wago.com) | Web: [www.wago.com](http://www.wago.com)

Do you have any questions about our products?

We are always happy to take your call at +49 (571) 887-44222.