

66579-2 ✓ ACTIVE

AMP | AMP Type IV

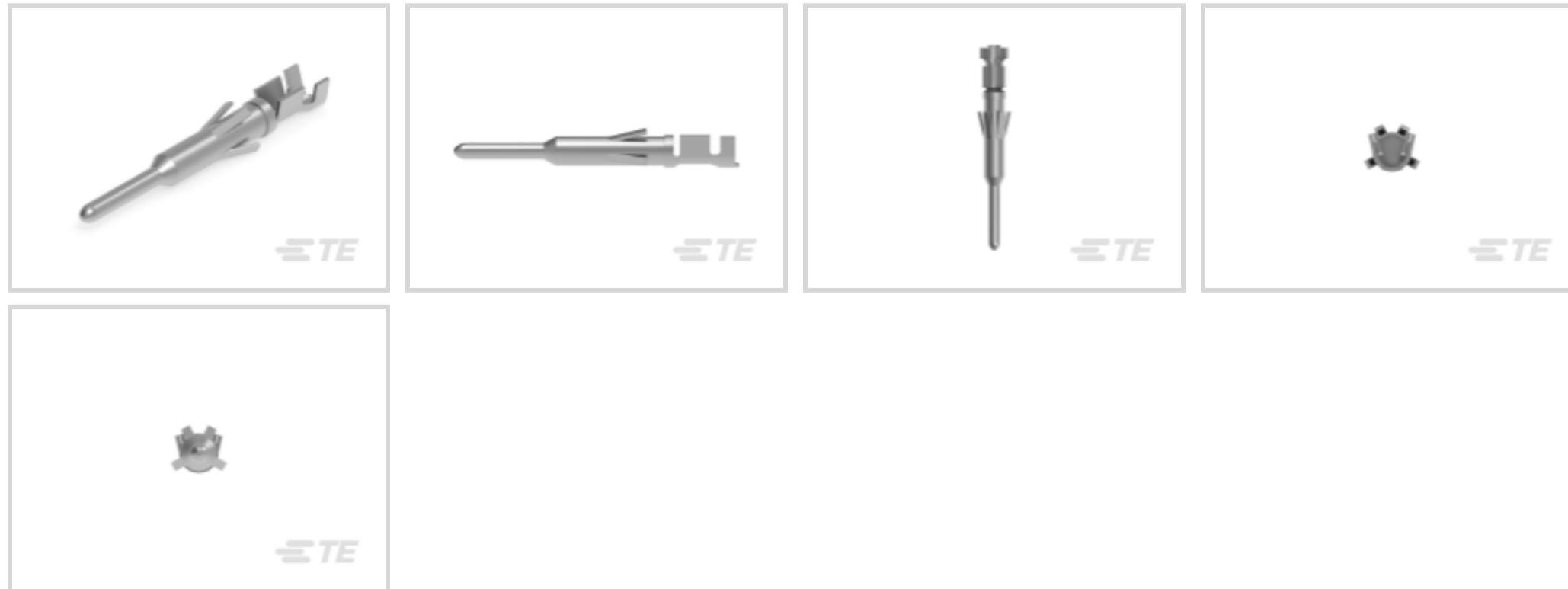
TE Internal #: 66579-2

Pin Contact, Tin, 250 VAC, 250 VDC, Size 16 Contact Size, 18 – 16 AWG Wire Size, .8 – 1.4 mm² Wire Size, Crimp, Brass, Power, AMP Type IV

[View on TE.com >](#)



Connectors > Contacts > Connector Contacts



Contact Type: **Pin**

Contact Mating Area Plating Material: **Tin**

Wire Contact Termination Area Plating Material: **Tin**

Operating Voltage: **250 VDC**

Features

Product Type Features

Sealable	No
----------	----

Electrical Characteristics

Operating Voltage	250 VDC
-------------------	---------

Contact Features

Mating Pin Diameter	1.57 mm[.062 in]
Wire Contact Termination Area Plating Thickness	.4 – 3.5 μm[16 – 138 μin]
Wire Contact Termination Area Plating Material Finish	Bright
Contact Mating Area Plating Material Thickness	.4 μm[16 μin]
Contact Mating Area Plating Material Finish	Semi-Bright
Contact Orientation	Straight
Contact Type	Pin
Contact Mating Area Plating Material	Tin
Wire Contact Termination Area Plating Material	Tin
Contact Retention Within Housing	With
Contact Size	Size 16

Contact Base Material	Brass
-----------------------	-------

Contact Current Rating (Max)	1.8 A
------------------------------	-------

Termination Features

Termination Method to Wire & Cable	Crimp
------------------------------------	-------

Product Terminates To	Wire & Cable
-----------------------	--------------

Mechanical Attachment

Wire Insulation Support	With
-------------------------	------

Dimensions

Compatible Insulation Diameter Range	2.03 – 2.54 mm [.08 – .135 in]
--------------------------------------	--------------------------------

Wire Size	.8 – 1.4 mm ²
-----------	--------------------------

Usage Conditions

Operating Temperature Range	-55 – 90 °C [-67 – 194 °F]
-----------------------------	----------------------------

Operation/Application

Circuit Application	Power
---------------------	-------

Packaging Features

Packaging Method	Strip
------------------	-------

Product Compliance

[For compliance documentation, visit the product page on TE.com>](#)

EU RoHS Directive 2011/65/EU	Compliant
------------------------------	-----------

EU ELV Directive 2000/53/EC	Compliant
-----------------------------	-----------

China RoHS 2 Directive MIIT Order No 32, 2016	No Restricted Materials Above Threshold
---	---

EU REACH Regulation (EC) No. 1907/2006	Current ECHA Candidate List: JUNE 2023 (235) Candidate List Declared Against: JUNE 2023 (235) Does not contain REACH SVHC
--	---

Halogen Content	Low Halogen - Br, Cl, F, I < 900 ppm per homogenous material. Also BFR/CFR/PVC Free
-----------------	---

Solder Process Capability	Not applicable for solder process capability
---------------------------	--

Product Compliance Disclaimer

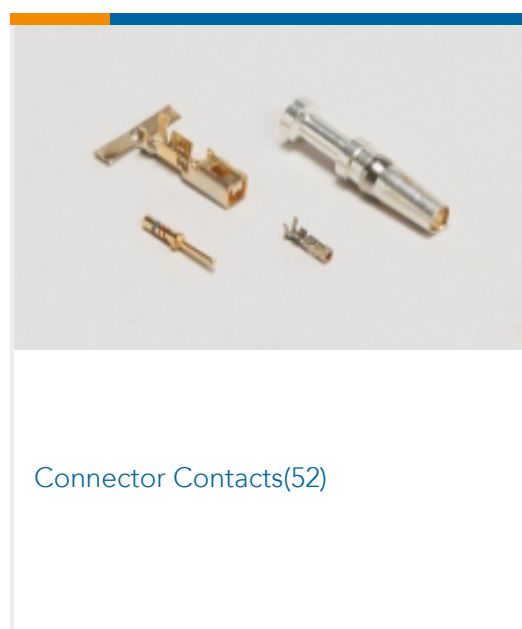
This information is provided based on reasonable inquiry of our suppliers and represents our current actual knowledge based on the information they provided. This information is subject to change. The part numbers that TE has identified as

EU RoHS compliant have a maximum concentration of 0.1% by weight in homogenous materials for lead, hexavalent chromium, mercury, PBB, PBDE, DBP, BBP, DEHP, DIBP, and 0.01% for cadmium, or qualify for an exemption to these limits as defined in the Annexes of Directive 2011/65/EU (RoHS2). Finished electrical and electronic equipment products will be CE marked as required by Directive 2011/65/EU. Components may not be CE marked. Additionally, the part numbers that TE has identified as EU ELV compliant have a maximum concentration of 0.1% by weight in homogenous materials for lead, hexavalent chromium, and mercury, and 0.01% for cadmium, or qualify for an exemption to these limits as defined in the Annexes of Directive 2000/53/EC (ELV). Regarding the REACH Regulation, the information TE provides on SVHC in articles for this part number is based on the latest European Chemicals Agency (ECHA) 'Guidance on requirements for substances in articles' posted at this URL: <https://echa.europa.eu/guidance-documents/guidance-on-reach>

Compatible Parts



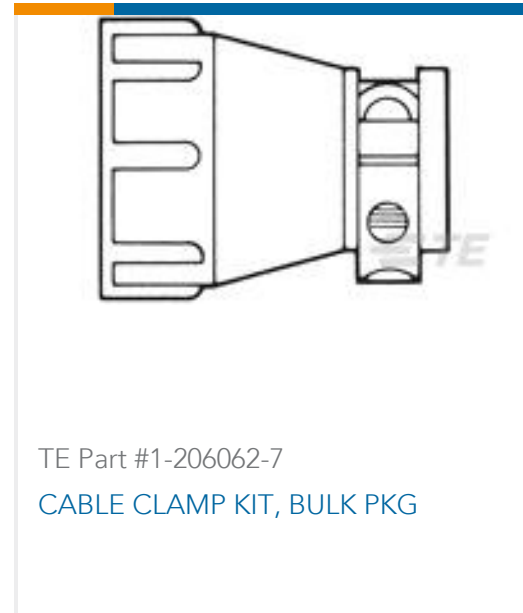
Also in the Series | AMP Type IV



Customers Also Bought



TE Part #211103-1
CPC RECPT ASSEMBLY 17-14



TE Part #1-206062-7
CABLE CLAMP KIT, BULK PKG



TE Part #3-640441-4
MTA Receptacle: Nylon, Tin Plated,
2.54 mm



TE Part #1838274-2
M12 Fld Ser CONN. Female Skt Slr



TE Part #6-1393144-0
K10P-11D15-6=K10/K20



TE Part #207445-3
SEALING CAP ASSY, 17,CPC ROHS
Compliant



TE Part #5-66461-4
SKT,.062 DIA,.025 SQ POST,LP



TE Part #NB19914001
VERSAFIT-1/16-0-SP



TE Part #1-1393788-1
V23079A1003B301

Documents

Product Drawings

[TYPE VI PIN CONT,MULTI-MATE](#)

English

CAD Files

Customer View Model

[ENG_CVM_66579-2_G.3d_igs.zip](#)

English

Customer View Model

[ENG_CVM_66579-2_G.3d_stp.zip](#)

English

Customer View Model

[ENG_CVM_66579-2_G.2d_dxf.zip](#)

English

[3D PDF](#)

English

[3D PDF](#)



3D

Customer View Model

[ENG_CVM_CVM_66579-2_AG.2d_dxf.zip](#)

English

Customer View Model

[ENG_CVM_CVM_66579-2_AG.3d_igs.zip](#)

English

Customer View Model

[ENG_CVM_CVM_66579-2_AG.3d_stp.zip](#)

English

By downloading the CAD file I accept and agree to the [Terms and Conditions](#) of use.

Product Specifications

[Application Specification](#)

Japanese

[Application Specification](#)

English

Instruction Sheets

[Instruction Sheet \(U.S.\)](#)

Japanese

[Instruction Sheet \(U.S.\)](#)

English

Agency Approvals

[Agency Approval Document](#)

English