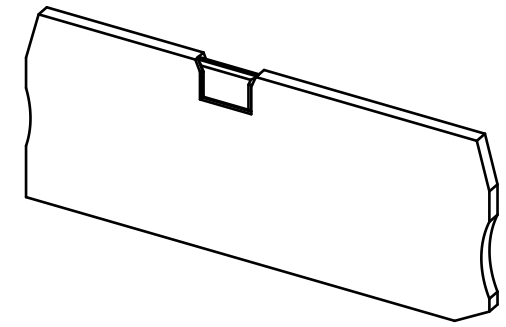
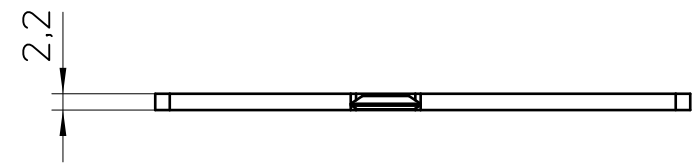
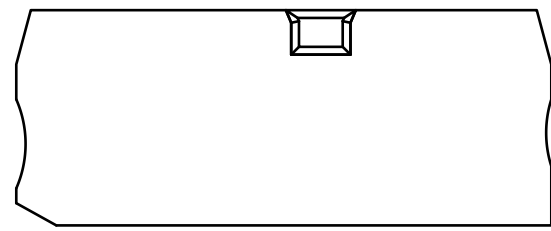
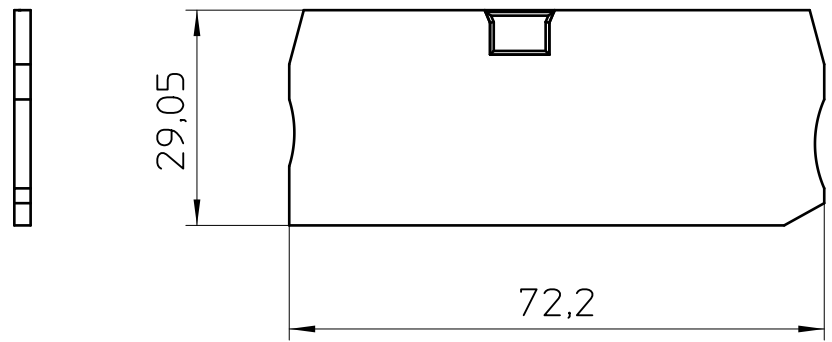




REV	CONTENT	CHK	DATE
V0.0	CONTENT	YL	22.11.16



5	SCREW	XX	N	STEEL	XX		
4	BLOCK	XX	N	BRASS	XX		
3	CLAMP	XX	N	PHOSPHOR BRONZE	XX		
2	COVER	XX	1	PA66 UL94V-0	SEE NOTE		
1	HOUSING	XX	1	PA66 UL94V-0	SEE NOTE		
ITEM	NAME OF PART		NO. OF PART	Q'TY	MATERIAL	NOTE	
DWG.	YL	DATE	22.11.16	SIZE	A4	UNITS mm	SHEET/OF 1 / 1
CHK.		DATE		SCALE	1:1		
APP.		DATE					
 拓宜(上海)工控电器设备有限公司 Topone(Shanghai) Industrial Control Electrical Equipment Co., LTD.				NAME	D-PY 2.5QUATTRO		
				DWGNO.	XXXXX		