

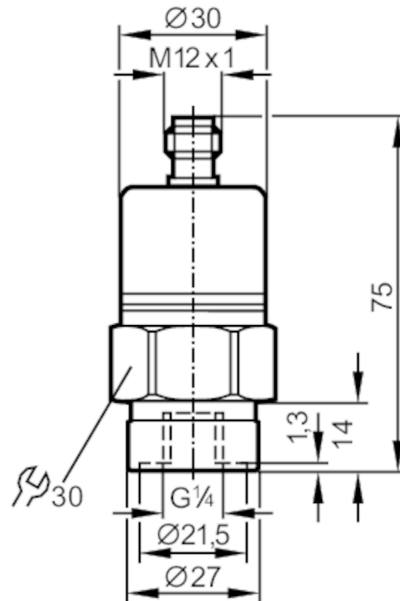
# PA3029



## Pressure transmitter with ceramic measuring cell

PA-0-1-RBR14-A-ZVG/US/ IV

When selecting an alternative article and accessories please note that technical data may differ!



### Product characteristics

Number of inputs and outputs	Number of analogue outputs: 1			
Measuring range	-1...0 bar	-1000...0 mbar	-14.5...0 psi	-100...0 kPa
Process connection	threaded connection G 1/4 internal thread			

### Application

Special feature	Gold-plated contacts		
Application	for industrial applications		
Media	liquids and gases		
Medium temperature [°C]	-25...90; (on request: -40...90 °C)		
Min. bursting pressure	30 bar	435 psi	3 MPa
Pressure rating	10 bar	145 psi	1 MPa
Type of pressure	relative pressure; vacuum		

### Electrical data

Operating voltage [V]	9.6...32 DC
Min. insulation resistance [MΩ]	100; (500 V DC)
Protection class	III
Reverse polarity protection	yes

### Inputs / outputs

Number of inputs and outputs	Number of analogue outputs: 1
------------------------------	-------------------------------

### Outputs

Total number of outputs	1
Output signal	analogue signal
Number of analogue outputs	1

# PA3029



## Pressure transmitter with ceramic measuring cell

PA-0-1-RBR14-A-ZVG/US/ IV

Analogue current output [mA]	4...20
Max. load [ $\Omega$ ]	720; ( $U_b = 24\text{ V}$ ; ( $U_b - 9,6\text{ V}$ ) / 20 mA)
Overload protection	yes

### Measuring/setting range

Measuring range	-1...0 bar	-1000...0 mbar	-14.5...0 psi	-100...0 kPa
-----------------	------------	----------------	---------------	--------------

### Accuracy / deviations

Repeatability [% of the span]	< 0,1; (with temperature fluctuations < 10 K)
Characteristics deviation [% of the span]	< $\pm 0,25$ (BFSL) / < $\pm 0,5$ (LS); (BFSL = Best Fit Straight Line; LS = limit value setting)
Long-term stability [% of the span]	< $\pm 0,05$ ; (per 6 months)
Temperature coefficient zero point [% of the span / 10 K]	0,1; (0...80 °C)
Temperature coefficient span [% of the span / 10 K]	0,2; (0...80 °C)

### Response times

Step response time analogue output [ms]	3
---	---

### Operating conditions

Ambient temperature [°C]	-25...80
Storage temperature [°C]	-40...100
Protection	IP 65

### Tests / approvals

EMC	EN 61000-4-2 ESD	4 kV CD / 8 kV AD	
	EN 61000-4-3 HF radiated	30 V/m	
	EN 61000-4-4 Burst	2 kV	
	EN 61000-4-6 HF conducted radiation of interference	10 V according to the automotive directive 2004/104/EC	
	CISPR 25 immunity	according to the automotive directive 2004/104/EC	
	ISO 11452-2 HF radiated	100 V/m	
	ISO 7637-2 pulse	severity level 4	
	Shock resistance	DIN EN 60068-2-27	50 g (11 ms)
		DIN EN 61373	category 3
	Vibration resistance	DIN EN 60068-2-6	20 g (10...2000 Hz)
DIN EN 61373		category 2	
MTTF [years]	506		
Pressure Equipment Directive	Sound engineering practice; can be used for group 2 fluids; group 1 fluids on request		
Railway applications	DIN EN 50155 / IEC 60571	Klasse T3, C1, S1	

### Mechanical data

Weight [g]	222.5
Materials	stainless steel (1.4404 / 316L); FKM; PA; EPDM/X
Materials (wetted parts)	stainless steel (1.4305 / 303); ceramics; FKM
Min. pressure cycles	100 million

# PA3029



## Pressure transmitter with ceramic measuring cell

PA-0-1-RBR14-A-ZVG/US/ IV

Process connection	threaded connection G 1/4 internal thread
Restrictor element integrated	no (can be retrofitted)

### Remarks

Pack quantity	1 pcs.
---------------	--------

### Electrical connection

Connector: 1 x M12; coding: A; Contacts: gold-plated



### Connection

