



# OAM10- Series 10 W AC/DC Medical Grade



Isolated output 4000VAC  
Up to 83% Efficiency  
Encapsulated compact size 2" X1"  
Medical safety design refer to (2 X MOPP)  
ANSI/AAMI ES60601-1 and IEC/EN60601-1  
No load power consumption<0.1W  
Applications:  
Portable medical device, Mobile clinical workstation, Medical computer monitor & Medical examination instrument



		UNIT		
<b>INPUT</b>	<b>Voltage/Freq</b>	V	Universal Input voltage AC 80V ~ 264V ( DC 105V~370V)	47 ~ 63Hz
	<b>Current Typ. 110V</b>	A	0.3 A	
	<b>220V</b>		0.2 A	
	<b>Min. Load</b>	-	0%	
	<b>Inrush Current</b>	A	115V 25A (Ta=25℃ , Io=100% at cold Start ); 230V 45A (Ta=25℃ , Io=100% at cold Start )	
<b>Input Fuse</b>		Fuse 2.5A /250V ( slow Blow)		

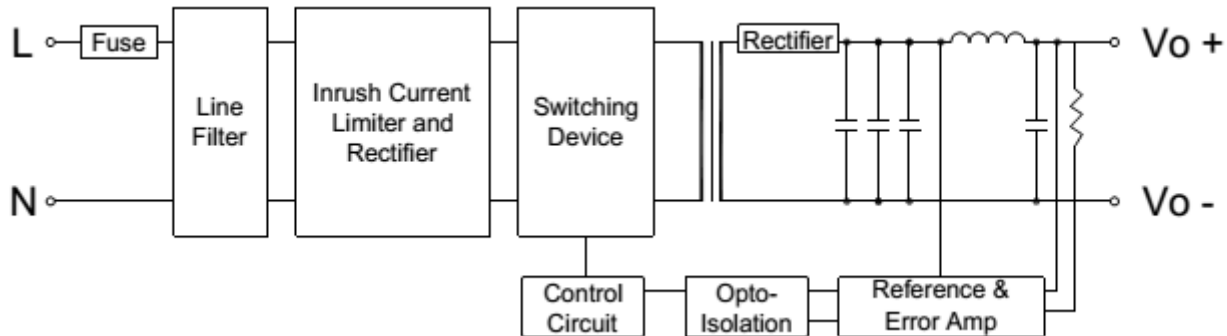
		UNIT	OAM10-5	OAM10-12	OAM10-15	OAM10-24
<b>OUTPUT</b>	<b>Nominal Voltage</b>	VDC	5	12	15	24
	<b>Efficiency typ</b>	%	80	82	82	83
	<b>Current</b>	A	2.00	0.85	0.67	0.46
	<b>Transient Recovery time</b>	us	Vi nom, Io nom = 0.5 Io nom Typ. 1000us			
	<b>Line Regulation</b>	%	+/-0.3	+/-0.3	+/-0.3	+/-0.3
	<b>Load Regulation</b>	%	+/-0.5	+/-0.5	+/-0.5	+/-0.5
	<b>Ripple Noise 20MHz BW full load</b>	mVp-p	100	180	180	200
	<b>Voltage Accuracy</b>	%	+/-3	+/-2	+/-2	+/-2
	<b>Over Load Protection</b>		<b>Auto Recovery</b> Above 110% rated output power			
	<b>Short Circuit Protection</b>		CONT. Auto Recovery 110%~150%			
<b>Over Voltage Protection</b>		Zener Diode Clamp				





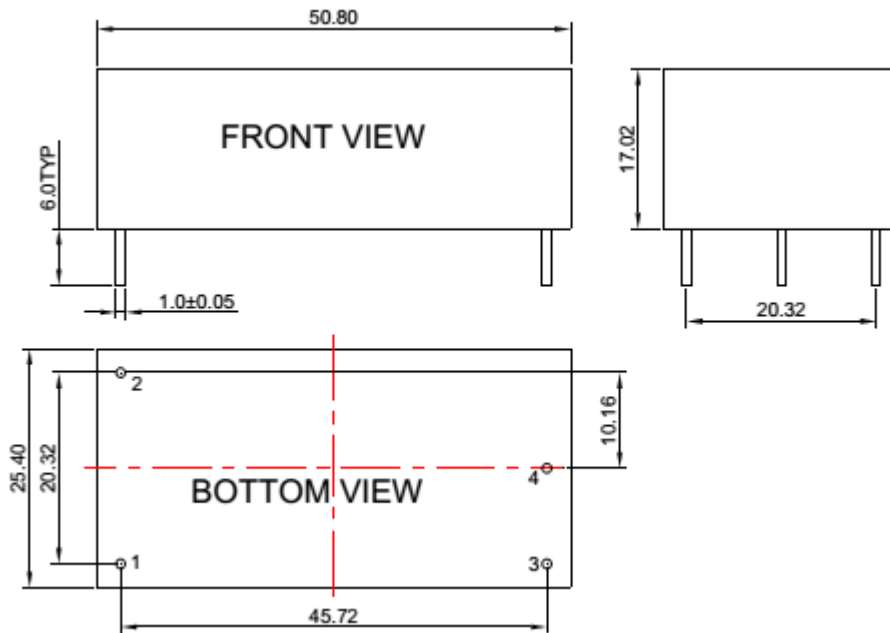
	<b>Switching Frequency</b>	<b>Vi nom, Io nom</b>	<b>65KHz</b>
<b>Isolation</b>	<b>Isolation Voltage</b>	Input / Output 4KVac/ 5mA/ 60 Secs	
	<b>Isolation Resistance</b>	Input / Output, @500 Vdc 100MΩ	
<b>Environment</b>	<b>Operating Temp/Hum.</b>	-20~ +85%	
	<b>Storage Temp/Hum.</b>	-40 ~ +100% HUMIDITY 95% 5RH%	
	<b>Derating</b>	Vi nom, Io nom+51 to 71°C 2 %/°C	
<b>Safety</b>	<b>CE</b>	ANSI/AAMI ES60601-1	
	<b>EMI Conduction &amp; Radiation</b>	Compliance to EN55022	
	<b>EMS Immunity</b>	Compliance to EN55024	
<b>Size</b>	<b>MM</b>	L 50.8 X W25.4 X H17.02mm 40 G	

## BLOCK DIAGRAM





### DIMENSIONAL DRAWING (mm)



PIN 1	PIN 2	PIN 3	PIN 4
AC LINE	AC NEUTRAL	-Vout	+Vout

### OUTPUT DERATING CURVES

