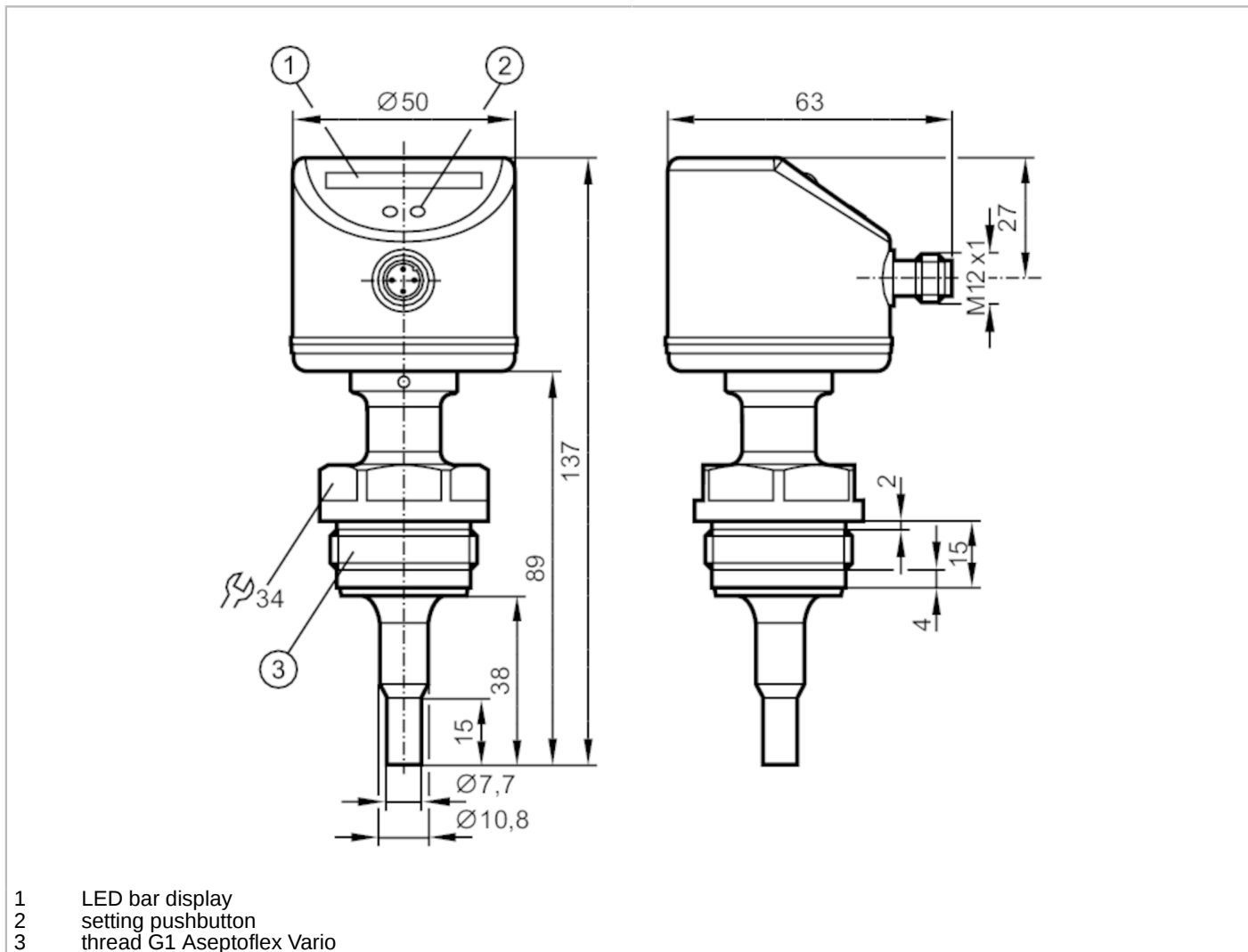


SI6700



Flow monitor

SIR11ABBFPKG/US-100-IPF



- 1 LED bar display
- 2 setting pushbutton
- 3 thread G1 Aseptoflex Vario



Product characteristics	
Number of inputs and outputs	Number of digital outputs: 1
Process connection	G 1 Aseptoflex Vario
Application	
Special feature	Gold-plated contacts
Application	hygienic systems
Medium temperature [°C]	-25...95; (for SIP process: ...140 °C)
Pressure rating [bar]	30
Electrical data	
Operating voltage [V]	19...36 DC
Current consumption [mA]	< 60
Protection class	III
Reverse polarity protection	yes
Power-on delay time [s]	10

SI6700



Flow monitor

SIR11ABBFPG/US-100-IPF

Inputs / outputs		
Number of inputs and outputs	Number of digital outputs: 1	
Outputs		
Total number of outputs	1	
Output signal	switching signal	
Electrical design	PNP	
Number of digital outputs	1	
Output function	normally open / normally closed; (parameterisable)	
Max. voltage drop switching output DC [V]	2.5	
Permanent current rating of switching output DC [mA]	250	
Short-circuit protection	yes	
Type of short-circuit protection	pulsed	
Overload protection	yes	
Measuring/setting range		
Probe length L [mm]	38	
Liquids		
Setting range [cm/s]	3...300	
Greatest sensitivity [cm/s]	3...100	
Gases		
Setting range [cm/s]	200...3000	
Greatest sensitivity [cm/s]	200...800	
Accuracy / deviations		
Repeatability [cm/s]	1...5	
Note on repeatability	for water 5...100 cm/s; 25 °C Factory setting	
Temperature drift [cm/s x 1/K]	0.1; (for water 5...100 cm/s; 10...70 °C)	
Temperature gradient [K/min]	300	
Switch point accuracy [cm/s]	± 2...± 10; (for water 5...100 cm/s; 25 °C; Factory setting)	
Hysteresis [cm/s]	2...5; (for water 5...100 cm/s; 25 °C; Factory setting)	
Response times		
Response time [s]	1...10	
Software / programming		
Adjustment of the switch point	pushbutton	
Operating conditions		
Ambient temperature [°C]	-25...60	
Protection	IP 67; IP 69K	
Tests / approvals		
EMC	EN 61000-4-2 ESD	4 kV CD / 8 kV AD
	EN 61000-4-3 HF radiated	10 V/m
	EN 61000-4-4 Burst	2 kV
	EN 61000-4-6 HF conducted	10 V

SI6700



Flow monitor

SIR11ABBFPKG/US-100-IPF

Shock resistance	DIN IEC 68-2-27	50 g (11 ms)
Vibration resistance	DIN EN 60068-2-6	10 g (55...2000 Hz)
MTTF [years]		298

Mechanical data		
Weight [g]		433.5
Materials	stainless steel (1.4404 / 316L); PC; PBT-GF20; EPDM/X; Sealing: FKM	
Materials (wetted parts)	stainless steel (1.4435 / 316L); surface characteristics: Ra < 0,4 / Rz 4	
Process connection	G 1 Aseptoflex Vario	
Installation length EL [mm]		54.8

Displays / operating elements		
Display	function	10 x LED, three-colour

Remarks		
Pack quantity		1 pcs.

Electrical connection

Connector: 1 x M12; coding: A; Contacts: gold-plated



Connection

