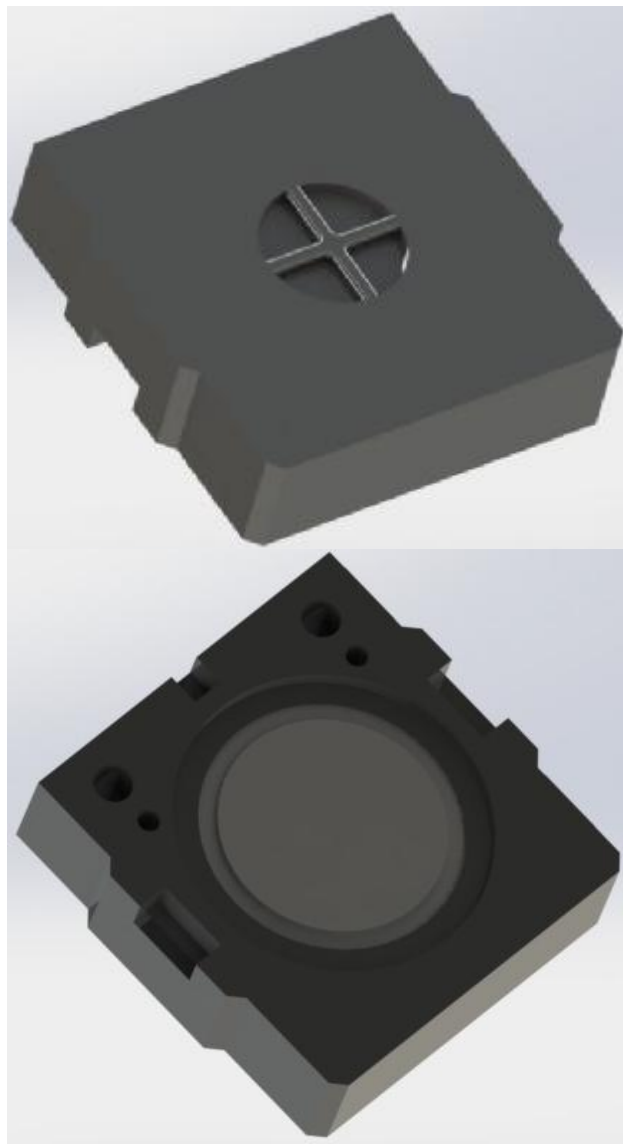


SPECIFICATION

SMS1515-08H04 LF





SPECIFICATION FOR DYNAMIC SPEAKER

TOTAL PAGE

08

www.be-star.com

RoHS

Customer		Model Name	SMS1515-08H04 LF
Customer P/N		Product No.	138700
Date	28 Sep.2018	Issue No.	BS/TES01.529D1
Page	01 of 09	Issue Date	2018.09.28

Approval:

- 1.Characteristics
- 2.Drawing
- 3.Reliability Test
- 4.Reflow condition
- 5.Tape on Reel Packing
- 6.MSL rating and Notice
- 7.History change record

Drawn by	Checked by	Approved by	Customer approved
杨利平	徐 波	赵 峥	

BESTAR Holdings Co., Ltd.
No.199, West Huanghe Road, Changzhou, Jiangsu, P.R. China
Tel: +86 5196 789 6200
Fax: +86 5196 789 6220
E-Mail: Info@be-star.com
Web: www.be-star.com

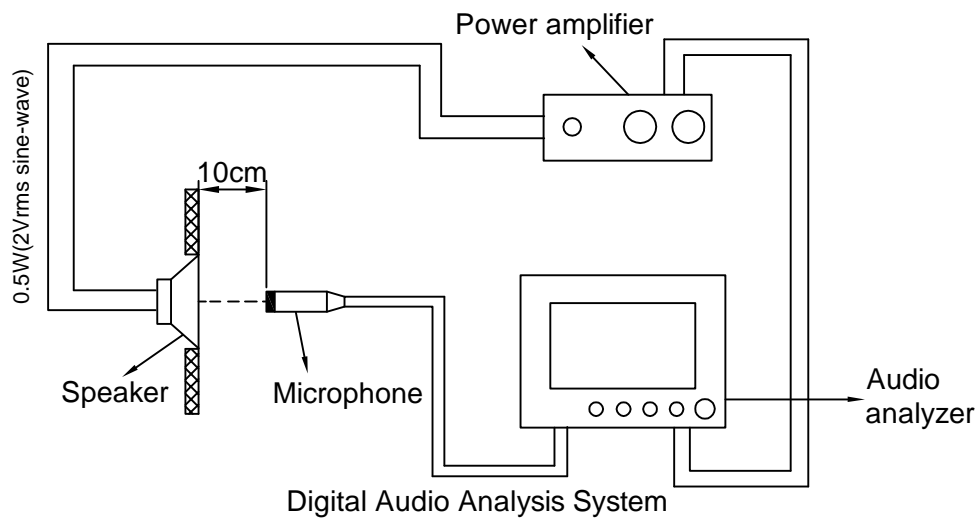
SMS1515-08H04 LF

1. Characteristics

1.1 Electrical and Mechanical Characteristics

No.	Item	Specifications
1.	Dimensions	Please refer to profile drawing
2.	AC Impedance	8 ohm±20% at 0.5Vrms/2KHz
3.	Resonance Frequency	800±15%Hz/0.5Vrms
4.	Rated Power	0.5W(2Vrms)
5.	Maximum Power	0.8W(2.53Vrms)
6.	Sound Pressure Level	87±3dB/0.5W/10cm
		at 1k,1.6k,2k,3.2kHz average
7.	Sound pressure level after reflow soldering	≥87,84,70,70,74dB/0.5W/10cm (at 6.3kHz,6.0kHz,5.0kHz,4.5kHz,4.0kHz)
8.	Buzzes&Rattles	Must be normal at sine wave 2Vrms
9.	Total Hamonics Distortion	Max.5%(0.5W/2.2KHz)
10.	Frequency Response	Refer to the attached figure
11.	Operating Temperature	-40~+85°C
12.	Storage Temperature	-40~+105°C
13.	Weight	~1.5g

1.2 Test Method

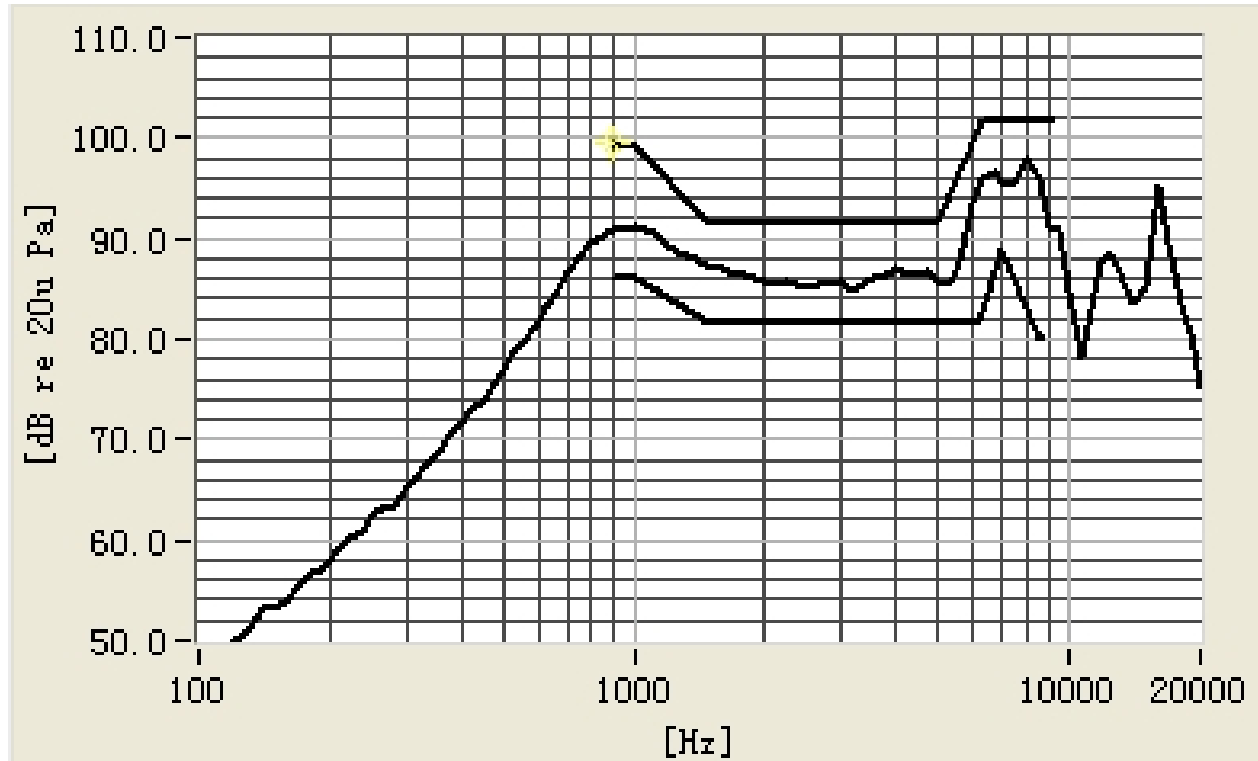


				Date:	2018.09.28	SMS1515-08H04 LF	
A	D1	2018.09.28	杨利平	Drawn by:	杨利平		
	D	2018/09/12	徐亮	Checked by:	徐波	Speaker	
	Rev.	Date	Drawn	Note	Approved by:		赵峥
BESTAR Holdings Co., Ltd						DRG NO:BS/TES01.529D1	Page:03 of 09
http://www.be-star.com info@be-star.com							

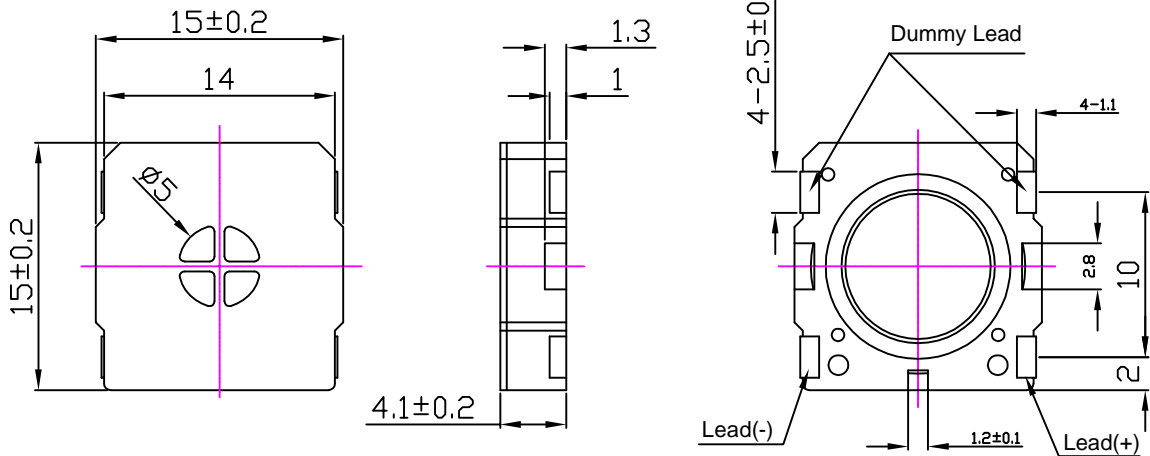
This print and information there in are propriety to BESTAR Holdings Co., Ltd. and shall not be used in whole or in part without its written content

SMS1515-08H04 LF

1.3 Frequency response



2 .Drawing



Unit:mm
tolerance:±0.2

				Date:	2018.09.28	SMS1515-08H04 LF	
A	D1	2018.09.28	杨利平	Drawn by:	杨利平		
	D	2018/09/12	徐亮	Checked by:	徐波	Speaker	
	Rev.	Date	Drawn	Approved by:	赵峥		
BESTAR Holdings Co., Ltd						DRG NO:BS/TES01.529D1	Page:04 of 09
http://www.be-star.com info@be-star.com							

SMS1515-08H04 LF

3. Reliability test

- | | | |
|-----|----------------------------|----------------|
| 3.1 | Low Temperature Test | |
| | Temperature | -40°C |
| | Duration | 240hrs |
| 3.2 | High Temperature Test | |
| | Temperature | +105±2°C |
| | Duration | 240hrs |
| 3.3 | Damp Heat | |
| | Temperature | 40±2°C |
| | Relative Humidity | 90%-95%RH |
| | Duration | 240hrs |
| 3.4 | Room temperature life test | |
| | Temperature | 15-35°C |
| | Relative Humidity | 25%-85%RH |
| | Voltage | 2Vrms |
| | Duration | 240hrs |
| 3.5 | Temperature Cycle | |
| | Temperature | -25°C / +65°C |
| | Temperature Change | 1± 2 /min |
| | Duration at +65°C | 2h(each cycle) |
| | Duration at -25°C | 2h(each cycle) |
| | Duration for one cycle | 8h |
| | Cycles | 10 |

All these tests above should be measured after leaving normal temperature for 2hrs.

- | | | |
|-----|-------------------|--------------------------------------|
| 3.6 | Drop Test | |
| | Height | 1m(on the concrete floor) |
| | Direction of drop | 1 each corner, 3 each sides, 6 plain |

Notice:
sensitivity difference at 1kHz shall be within ± 3dB from initial value after test.

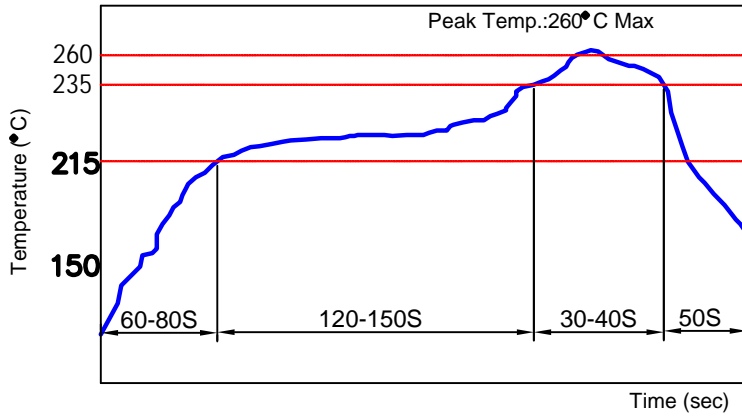
This print and information there in are propriety to BESTAR Holdings Co., Ltd. and shall not be used in whole or in part without its written content

				Date:	2018.09.28	SMS1515-08H04 LF	
A	D1	2018.09.28	杨利平	Drawn by:	杨利平		
	D	2018/09/12	徐亮	Checked by:	徐波	Speaker	
	Rev.	Date	Drawn	Note	Approved by:		赵峥
BESTAR Holdings Co., Ltd						DRG NO:BS/TES01.529D1	Page:05 of 09
http://www.be-star.com info@be-star.com							

SMS1515-08H04 LF

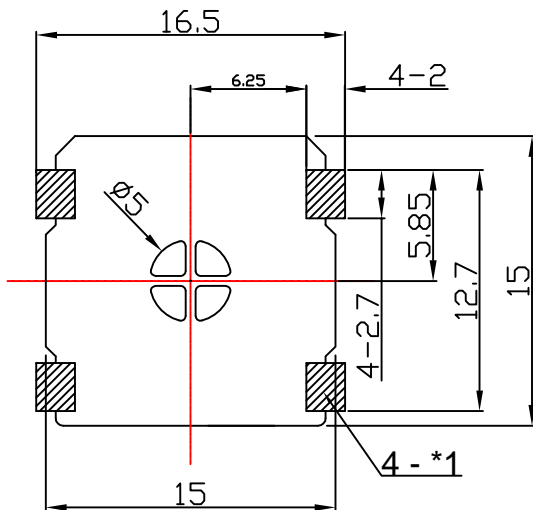
4.Reflow condition

4.1 reflow soldering



Preheating: 215°C for 120-150 seconds
 Soldering Temperature: 235°C for 30-40 seconds
 Peak Soldering Temperature: 260°C max for 10 seconds

4.2 Recommended Land Pattern Dimensions



Unit:mm

Note

- 1) Land pattern*1
- 2) Avoid any pattern on the shade area
- *2 of PC board is highly recommended

This print and information there in are propriety to BESTAR Holdings Co., Ltd. and shall not be used in whole or in part without its written content

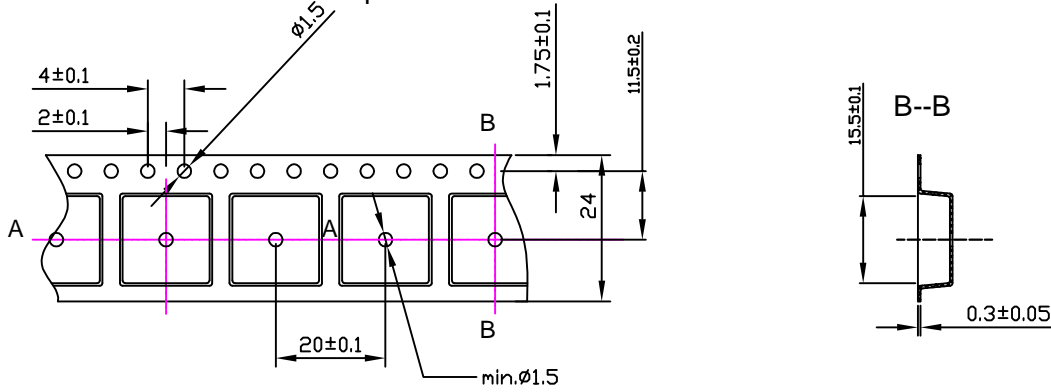
				Date:	2018.09.28	SMS1515-08H04 LF	
A	D1	2018.09.28	杨利平	Drawn by:	杨利平		
	D	2018/09/12	徐亮	Checked by:	徐波	Speaker	
	Rev.	Date	Drawn	Note	Approved by:		赵峥
BESTAR Holdings Co., Ltd						DRG NO:BS/TES01.529D1	Page:06 of 09
http://www.be-star.com info@be-star.com							

SMS1515-08H04 LF

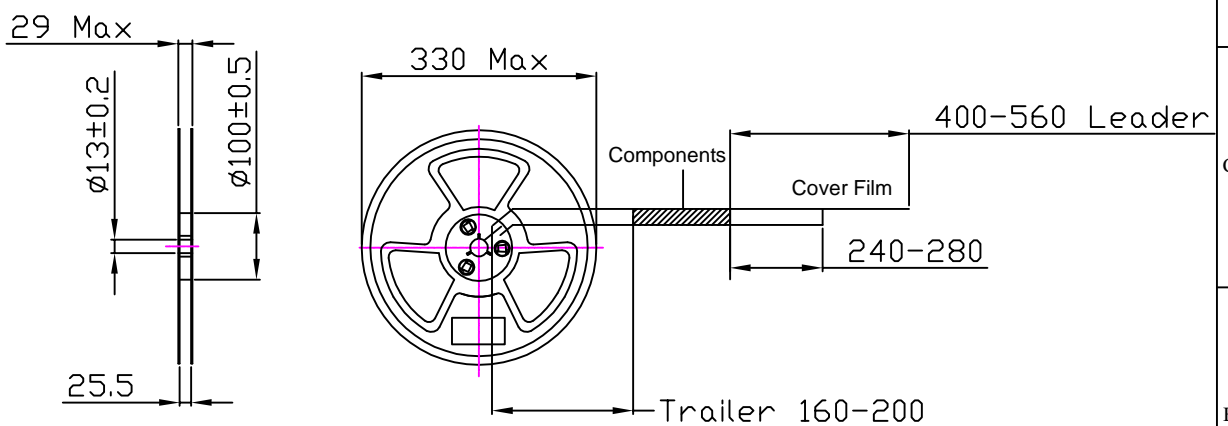
5. Tape on Reel Packing

5.1 packing drawing

★Dimensions of carrier tape



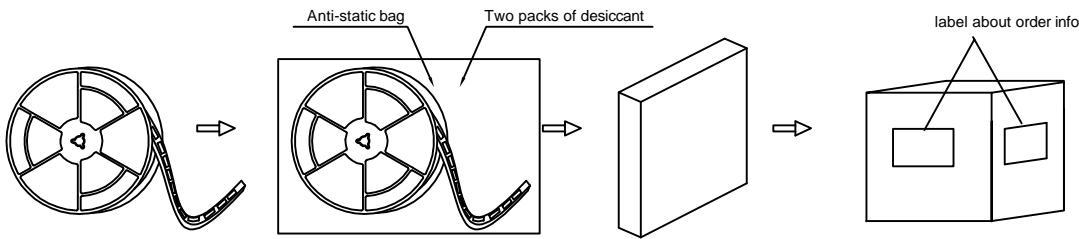
★Dimensions of reel



This print and information there in are proprietary to BESTAR Holdings Co., Ltd. and shall not be used in whole or in part without its written content

				Date:	2018.09.28	SMS1515-08H04 LF	
A	D1	2018.09.28	杨利平	Drawn by:	杨利平		
	D	2018/09/12	徐亮	Checked by:	徐波	Speaker	
Rev.	Date	Drawn	Note	Approved by:	赵峥		
BESTAR Holdings Co., Ltd						DRG NO:BS/TES01.529D1	Page:07 of 09
http://www.be-star.com info@be-star.com							

SMS1515-08H04 LF

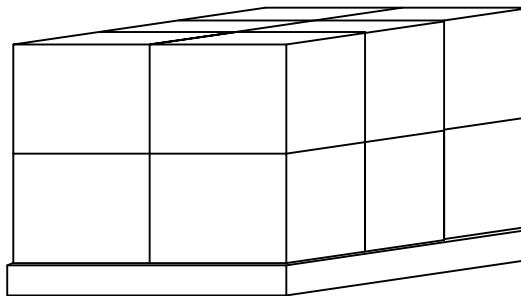


label

BeStar
Type:
P/O:
Qty:
Date code:

5.2 packing quantity

- 5.21 600pcs/reel
- 5.22 5reel/carton
- 5.23 3000 pcs/carton in total
- 5.24 carton size 38x28x37cm
- 5.25 12carton/tray
- 5.26 tray size 85x77x74cm



6.MSL rating and Notice

Moisture Sensitivity Level and Floor Life

Level	Floor Life(out of bag) at Factory Ambient ≤30° C/85% RH or as Stated
3	168 hours

6.1 The products mustn't be washed

6.2 Storage Condition

The products should be stored in the room ,where the temperature/humidity is stable.

And avoid such places where there are large temperature changes.

Please store the products at the following conditions:

Temperature: -10 to + 40° C Humidity: 15 to 85% R.H.

6.3 Expire Date on Storage

Expire date (Shelf life) of the products is six months after delivered under the conditions of a sealed and an unopened package. Please use the products within six months after delivered.

If you store the products for a long time (more than six months), use carefully because the products may be degraded in the solderability and/or rusty.Please confirm solderability and characteristics for the products regularly.

6.4 Notice on Product Storage

(1) Please do not store the products in a chemical atmosphere (Acids, Alkali, Bases, Organic gas, Sulfides and so on), because the characteristics may be reduced at quality, and/or be degraded in the solderability due to the storage in a chemical atmosphere.

(2) Please use the products immediately after the package is opened, because the characteristics may be reduced at quality, and/or be degraded in the solderability due to storage under the poor condition.

(3) Please do not drop the products to avoid cracking of ceramic element.

This print and information there in are proprietary to BESTAR Holdings Co., Ltd. and shall not be used in whole or in part without its written content

				Date:	2018.09.28	SMS1515-08H04 LF	
A	D1	2018.09.28	杨利平	Drawn by:	杨利平		
	D	2018/09/12	徐亮	Checked by:	徐波	Speaker	
	Rev.	Date	Drawn	Note	Approved by:		赵峥
BESTAR Holdings Co., Ltd						DRG NO:BS/TES01.529D1	Page:08 of 09
http://www.be-star.com info@be-star.com							

