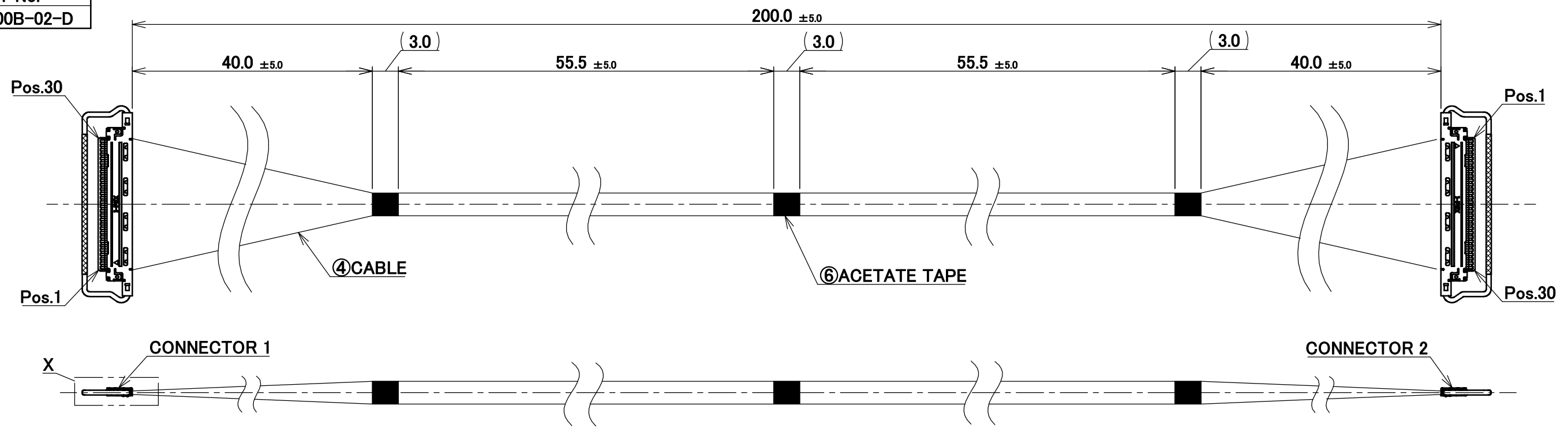
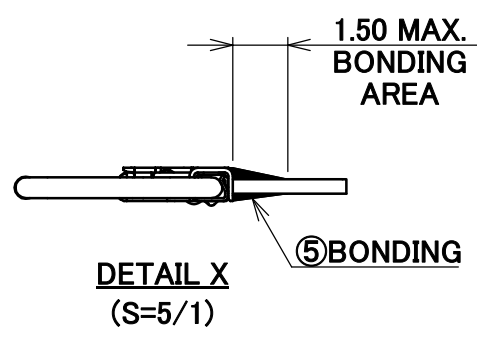
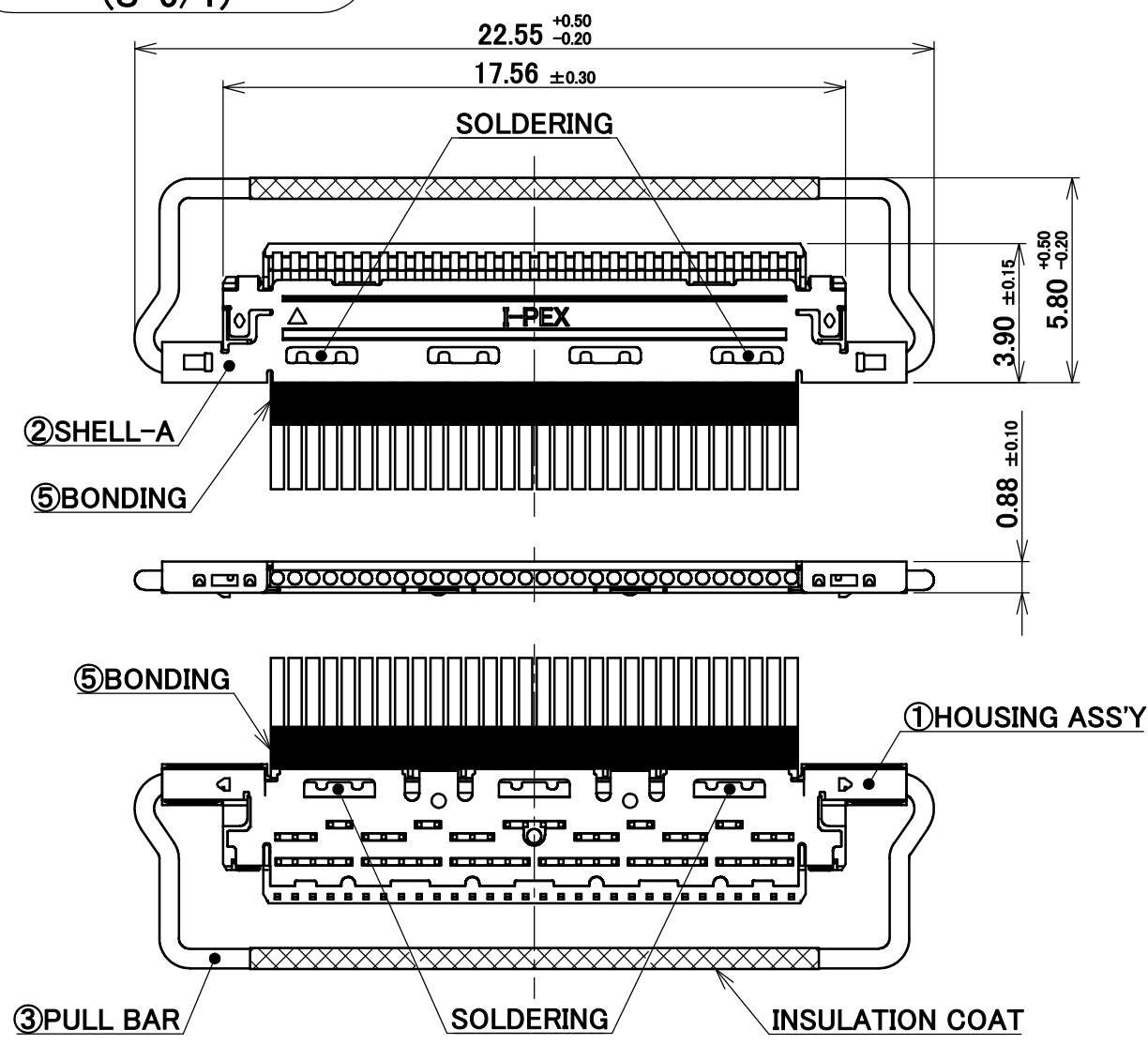


PART No.  
81421-100B-02-D



CONNECTOR 1&2  
(S=5/1)



NOTE.

1. TO HANDLE THIS CONNECTOR YOU MUST READ AND FOLLOW THE INSTRUCTION MANUAL BELOW. I-PEX INSTRUCTION MANUAL No.HIM-08004.
2. ELECTRIC CHARACTERISTICS  
WITHSTANDVOLTAGE : AC 250V(1SEC.) LEAKAGE CURRENT 2.0mA MAX.  
INSULATION RESISTANCE : 50MΩ MIN. DC 100V (0.5SEC.)
3. THE OPERATING TEMPERATURE OF THE HARNESS : 80°C MAX.

PIN ASSIGNMENT		
CONNECTOR 1	CABLE	CONNECTOR 2
30	MICRO-COAXIAL CABLE AWG#40 50 OHM, BLUE	1
29	MICRO-COAXIAL CABLE AWG#40 50 OHM, BLUE	2
.	MICRO-COAXIAL CABLE AWG#40 50 OHM, BLUE	.
2	MICRO-COAXIAL CABLE AWG#40 50 OHM, BLUE	29
1	MICRO-COAXIAL CABLE AWG#40 50 OHM, BLUE	30

NO.	DESCRIPTION	PARTS NO.	QTY	REMARKS
6	ACETATE TAPE	-	3	BLACK
5	BONDING	-	-	UV GLUE
4	CABLE	-	30	MICRO-COAXIAL CABLE AWG#40 50 OHM, BLUE
3	PULL BAR	2576-130-00	2	CONNECTOR 1&2
2	SHELL-A	2574-0302	2	CABLIN <sup>®</sup> -VS PLUG P/N : 20453-230T-03 CONNECTOR TO BE MATED : 20455-030E-66
1	HOUSING ASS'Y	20454-230T	2	

REVISION RECORD					GENERAL TOLERANCE.		PROJECTION		SERIES No.		CUSTOMER COPY				
REV.	ECN	BY	DATE	APP.	ANGLE	±2°	6 OVER 30 MAX.	±0.3		IH-200016	SCALE	2:1			
					6 MAX.	±0.2	30 OVER 120 MAX.	±0.5					TITLE	mm	UNIT
3	Z231133	R.T	Sept./20/'23	H.I					CABLIN <sup>®</sup> -VS 30P HARNESS	SIZE	A3	SHEET	1/1		
2	Z210181	K.B	Feb./24/'21	H.I	DWG.	K.Baba		DATE						2020/05/11	DWG. No.
1	Z200915	K.B	Sept./02/'20	H.I	CHK.	R.Takei									
0	Z200494	K.B	May/11/'20		APP.	H.Ikari									