



## Main

|                                    |  |
|------------------------------------|--|
| Range of Product                   | Telemecanique Inductive proximity sensors XS                 |
| Series name                        | General purpose  |
| Sensor Type                        | Inductive proximity sensor                                   |
| Device Application                 | Mobile equipment   |
| Sensor name                        | XS1  |
| Sensor design                      | Cylindrical M18  |
| Size                               | 40 mm  |
| Body type                          | Fixed  |
| Detector flush mounting acceptance | Flush mountable  |
| Material                           | Metal  |
| Type of output signal              | Discrete   |
| Wiring Technique                   | 3-wire   |
| [Sn] nominal sensing distance      | 0.31 in (8 mm)   |
| Discrete output function           | 1 NO   |
| Output circuit type                | DC   |
| Discrete output type               | NPN  |
| Electrical connection              | Cable  |
| Cable length                       | 6.56 ft (2 m)  |
| [Us] rated supply voltage          | 12...24 V DC reverse polarity protection                     |
| Switching capacity in mA           | <= 200 mA overload and short-circuit protection              |
| IP degree of protection            | IP65 conforming to IEC 60529<br>IP67 conforming to IEC 60529 |

## Complementary

|                          |                             |
|--------------------------|-----------------------------|
| Thread type              | M18 x 1                     |
| Detection face           | Frontal                     |
| Front material           | PPS                         |
| Enclosure Material       | Nickel Plated Brass         |
| Operating zone           | 0.00...0.25 in (0...6.4 mm) |
| Differential travel      | 1...15% of Sr               |
| Cable composition        | 3 x 0.34 mm <sup>2</sup>    |
| Wire insulation material | PvR                         |
| Status LED               | Output state 1 LED yellow)  |
| Supply voltage limits    | 10...36 V DC                |
| Switching frequency      | <= 1000 Hz                  |
| Maximum voltage drop     | <2 V closed)                |
| Current consumption      | <= 10 mA no-load            |
| Maximum delay first up   | 10 ms                       |
| Maximum delay response   | 0.3 ms                      |
| Maximum delay recovery   | 0.7 ms                      |
| Marking                  | CE                          |
| Threaded length          | 1.10 in (28 mm)             |
| Length                   | 1.57 in (40 mm)             |
| Net Weight               | 0.24 lb(US) (0.11 kg)       |

## Environment

|                                       |   |
|---------------------------------------|---|
| Product Certifications                | E2<br>UL<br>CSA                         |
| Ambient Air Temperature for Operation | -13...158 °F (-25...70 °C)              |
| Ambient Air Temperature for Storage   | -40...185 °F (-40...85 °C)              |
| Vibration resistance                  | 25 gn +/- 2 mm 10...55 Hz)IEC 60068-2-6 |
| Shock resistance                      | 50 gn 11 ms IEC 60068-2-27              |

## Ordering and shipping details

|                       |   |
|-----------------------|---|
| Category              | 21571-SENSORS, ELECTRONIC BASIC XU & XS |
| Discount Schedule     | DS2                                     |
| GTIN                  | 3389119036467                           |
| Nbr. of units in pkg. | 1                                       |
| Package weight(Lbs)   | 3.92 oz (111.0 g)                       |
| Returnability         | No                                      |
| Country of origin     | FR                                      |

## Packing Units

|                              |                        |
|------------------------------|------------------------|
| Unit Type of Package 1       | PCE                    |
| Package 1 Height             | 5.20 in (13.2 cm)      |
| Package 1 width              | 1.65 in (4.2 cm)       |
| Package 1 Length             | 3.74 in (9.5 cm)       |
| Unit Type of Package 2       | BAG                    |
| Number of Units in Package 2 | 1                      |
| Package 2 Weight             | 3.92 oz (111.0 g)      |
| Package 2 Height             | 0.79 in (2 cm)         |
| Package 2 width              | 7.87 in (20 cm)        |
| Package 2 Length             | 5.91 in (15 cm)        |
| Unit Type of Package 3       | S02                    |
| Number of Units in Package 3 | 22                     |
| Package 3 Weight             | 6.39 lb(US) (2.897 kg) |
| Package 3 Height             | 5.91 in (15 cm)        |
| Package 3 width              | 11.81 in (30 cm)       |
| Package 3 Length             | 15.75 in (40 cm)       |

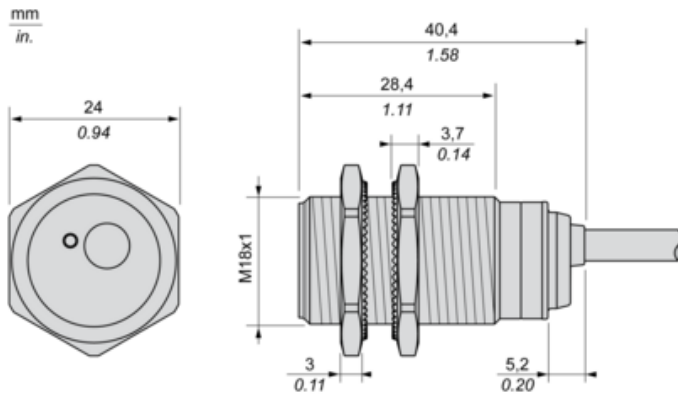
## Offer Sustainability

|                            |   |
|----------------------------|---|
| Sustainable offer status   | Green Premium product   |
| California proposition 65  | WARNING: This product can expose you to chemicals including: Diisononyl phthalate (DINP), which is known to the State of California to cause cancer, and Di-isodecyl phthalate (DIDP), which is known to the State of California to cause birth defects or other reproductive harm. For more information go to <a href="http://www.P65Warnings.ca.gov">www.P65Warnings.ca.gov</a> |
| REACH Regulation           | <a href="#">REACH Declaration</a>   |
| EU RoHS Directive          | Pro-active compliance (Product out of EU RoHS legal scope) <a href="#">EU RoHS Declaration</a>  |
| Mercury free               | Yes   |
| RoHS exemption information | <a href="#">Yes</a>   |
| Environmental Disclosure   | <a href="#">Product Environmental Profile</a>   |
| Circularity Profile        | <a href="#">End Of Life Information</a>   |

## Contractual warranty

|          |           |
|----------|-----------|
| Warranty | 18 months |
|----------|-----------|

Dimensions

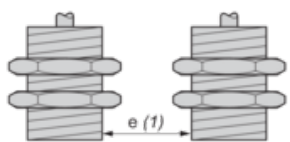


---

Minimum Mounting Distances

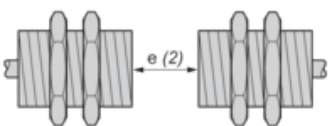
---

Side by side



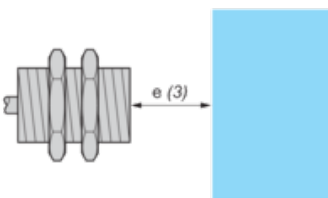
$e (1) \geq 16 \text{ mm}/0.63 \text{ in.}$

Face to face



$e (2) \geq 100 \text{ mm}/3.94 \text{ in.}$

Facing a metal object

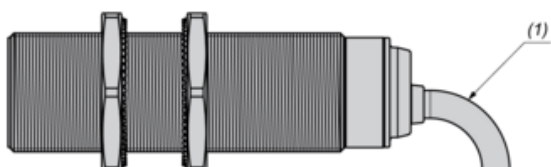


$e (3) \geq 25 \text{ mm}/0.98 \text{ in.}$

---

Mounting

---



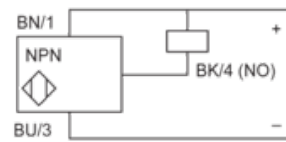
(1) Bending cable: 4 x external cable diameter

---

## Wiring Schemes

---

NPN



BU : Blue

BN : Brown

BK : Black